

Digilent XCR Plus CPLD Development Board

Copyright 2004, Digilent Inc.

TITLE: DlabXcrP

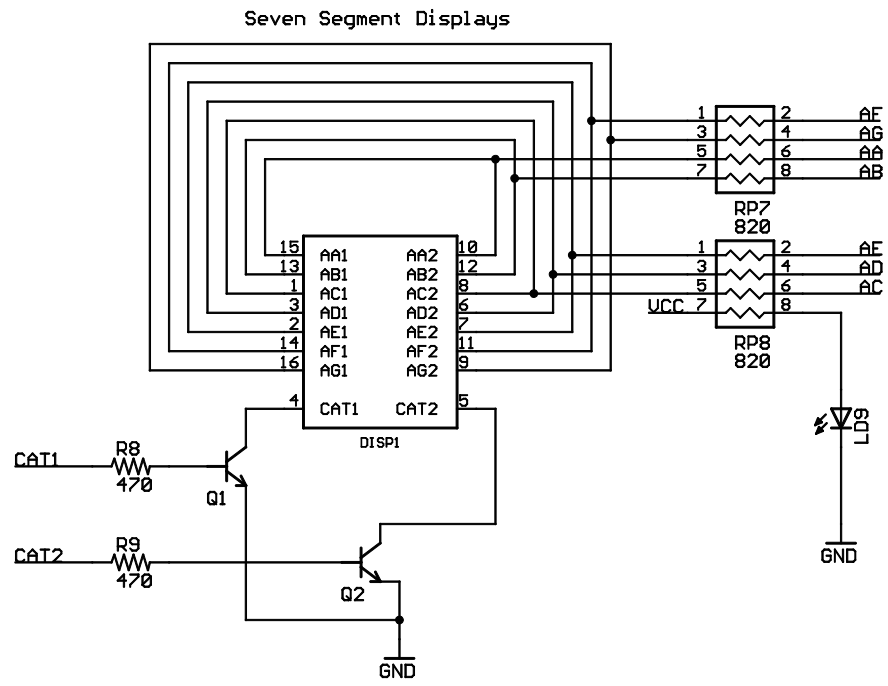
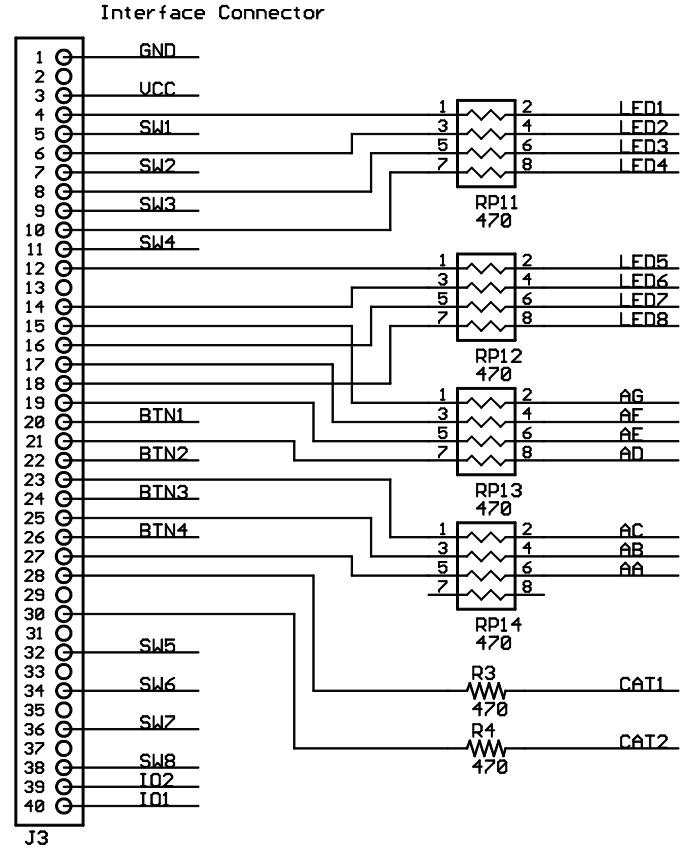
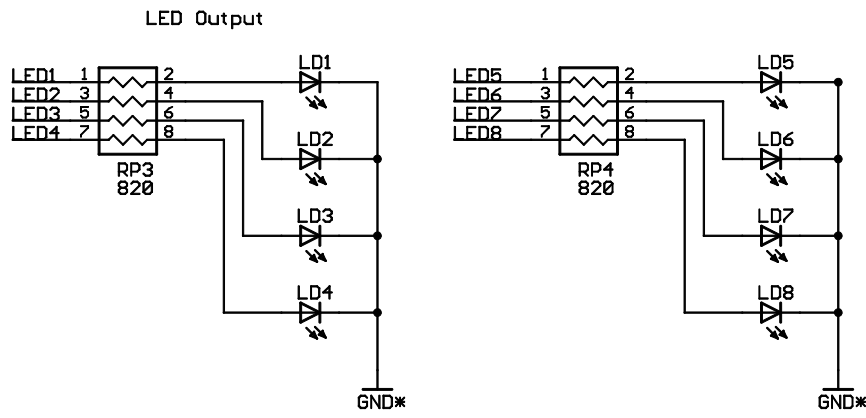
Author: GMA

Document Number: PB-500-021

Rev: C

Release Date: 2/17/2004

Sheet: 2/3



Digilent XCR Plus CPLD Development Board	
Copyright 2004, Digilent Inc.	
TITLE: DlabXcrP	Author: GMA
Document Number: PB-500-021	Rev: C
Release Date: 2/17/2004	Sheet: 3/3