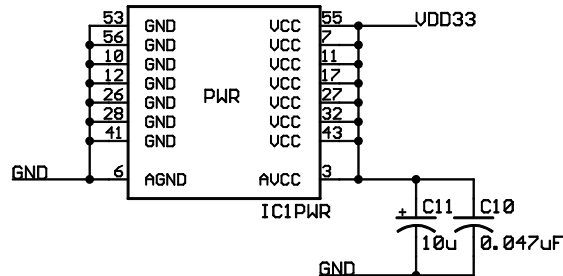
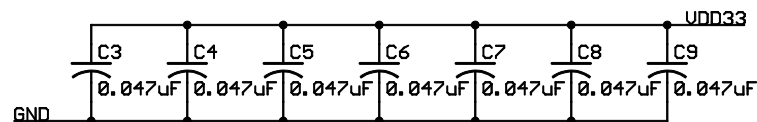
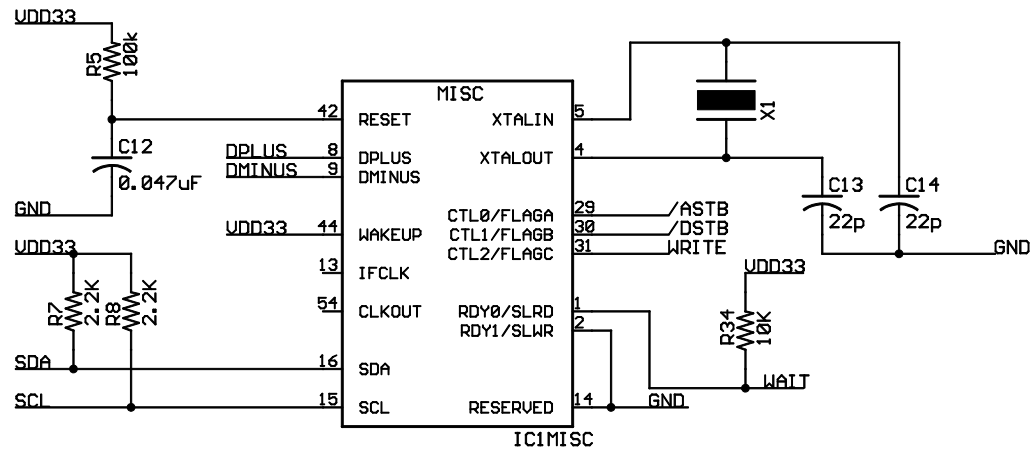
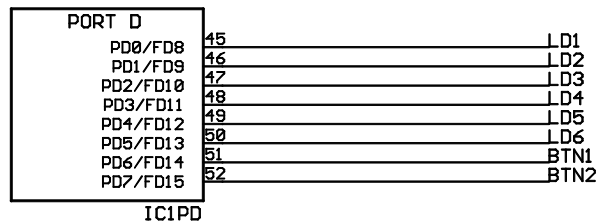
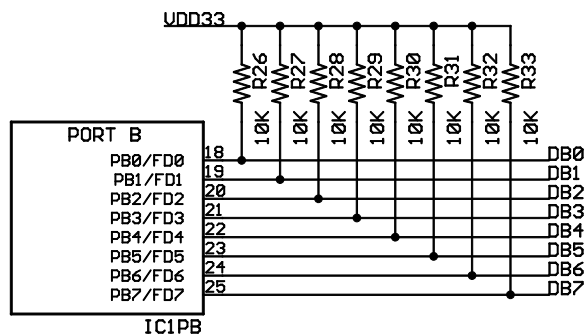
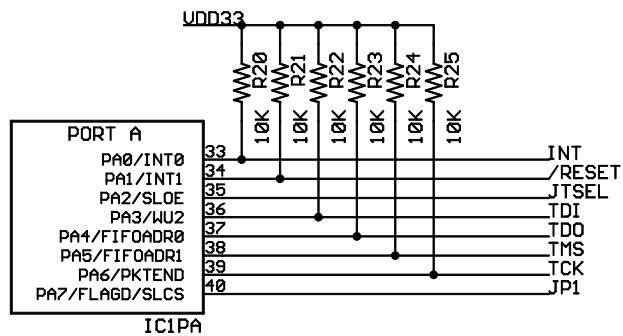


Digilab USB 2.0 Module		Engineer: SS
Copyright 2004, Digilent Inc.		Author: GMA
TITLE: dmodusb1		Rev: B
Document Number: 500-054		Sheet: 1/2
Release Date: 5/13/2004		



### Digilab USB 2.0 Module

Copyright 2004, Digilent Inc.

Engineer: SS

TITLE: dmodusb1

Author: GMA

Document Number: 500-054

Rev: B

Release Date: 5/13/2004

Sheet: 2/2