

Zmod DAC 1411

09/12/2019

Variant: [No Variations]

C.0

Sheet	Index	Sheet	Index	Sheet	Index
1	COVER PAGE	4	POD-MCU	7	ANALOG POWER SUPPLIES
2	BLOCK DIAGRAM	5	AWG DAC	8	ANALOG POWER SUPPLIES II
3	SYZYGY	6	AWG CHANNELS 1, 2		

Copyright 2020, DIGILENT Inc. All Rights Reserved.

Terms of Use. The contents are provided "AS IS". DIGILENT DISCLAIMS ALL WARRANTIES, EITHER EXPRESS OR IMPLIED, INCLUDING, BUT NOT LIMITED TO, THE IMPLIED WARRANTIES OF MERCHANTABILITY, FITNESS FOR A PARTICULAR PURPOSE, AND NON-INFRINGEMENT OF INTELLECTUAL PROPERTY. The contents could contain technical inaccuracies, typographical errors or out-of-date information. Information may be updated or changed at any time, without notice. Use of such information is therefore at your own risk. Digilent may at any time revise these Terms of Use. You are bound by such revisions and should therefore visit <https://store.digilentinc.com/terms-of-use/> to review the current Terms of Use.

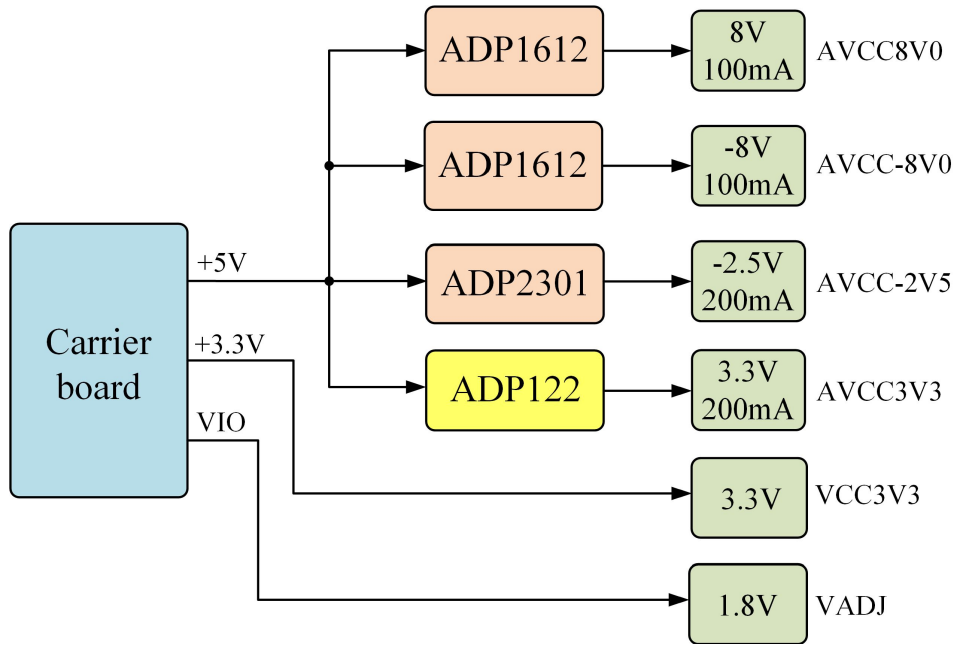
Limitation of Liability. DIGILENT WILL NOT BE LIABLE FOR DIRECT, INDIRECT, SPECIAL, INCIDENTAL, COVER, ECONOMIC, OR CONSEQUENTIAL DAMAGES ARISING OUT OF THE USE OR INABILITY TO USE THE CONTENTS EVEN IF DIGILENT IS ADVISED OF THE POSSIBILITY OF SUCH DAMAGES.

Title Zmod DAC 1411		Rev C.0 Copyright 2019
Circuit	Cover Page	
Doc#	500-397	
Engineer	RV	
Author	DG	
Date	09/12/2019	
Sheet#	1 out of 8	

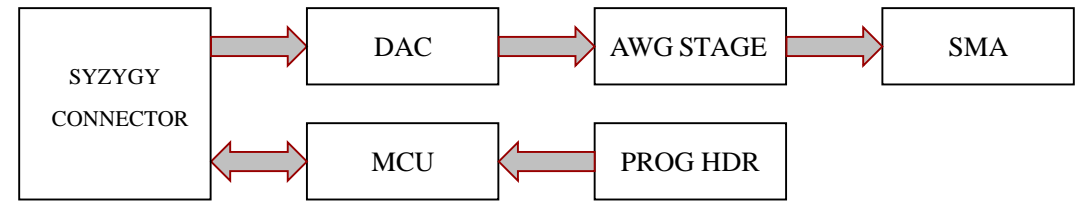


Zmod DAC 1411

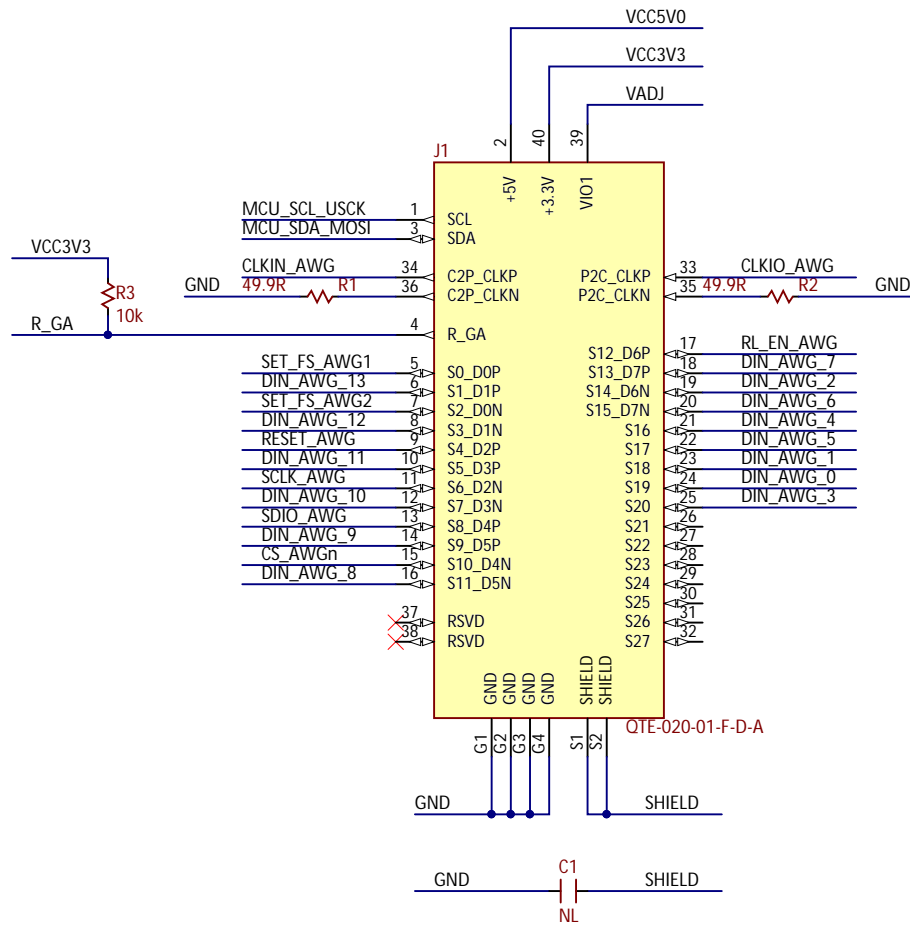
Power Tree



Block Diagram



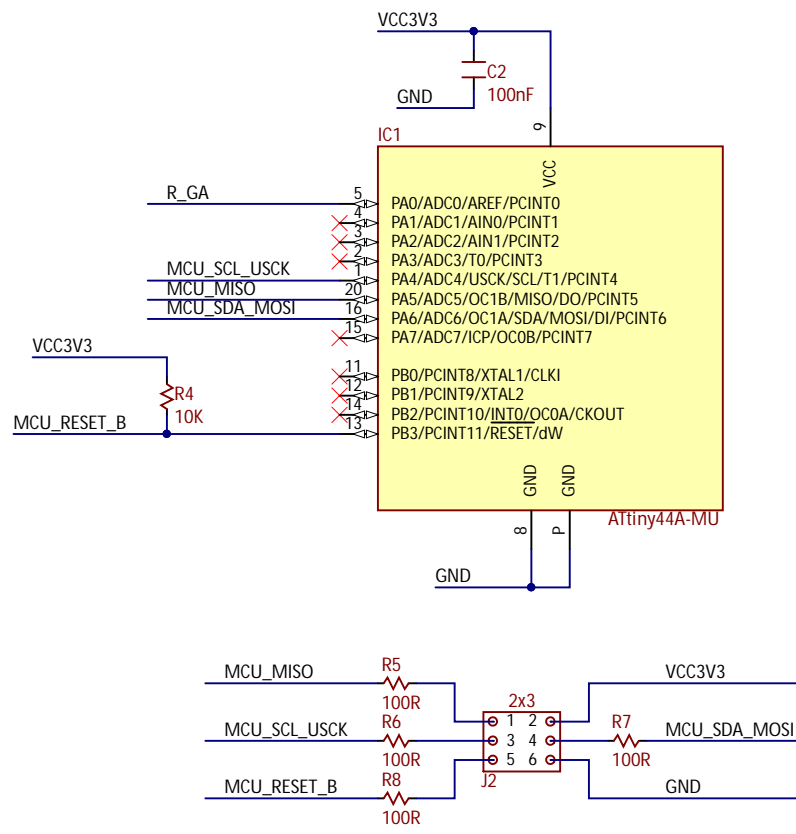
Title Zmod DAC 1411		Rev C.0 Copyright 2019
Circuit Block Diagram		 A National Instruments Company
Doc# 500-397		
Engineer RV		
Author DG		
Date 09/12/2019		
Sheet# 2 out of 8		



Title Zmod DAC 1411		Rev C.0 Copyright 2019
Circuit Syzygy		
Doc# 500-397		
Engineer RV		
Author DG		
Date 09/12/2019		
Sheet# 3 out of 8		



DIGILENT
A National Instruments Company



Title Zmod DAC 1411		Rev C.0 Copyright 2019
Circuit Pod-MCU		
Doc# 500-397		
Engineer RV		
Author DG		
Date 09/12/2019		
Sheet# 4 out of 8		



A

A

B

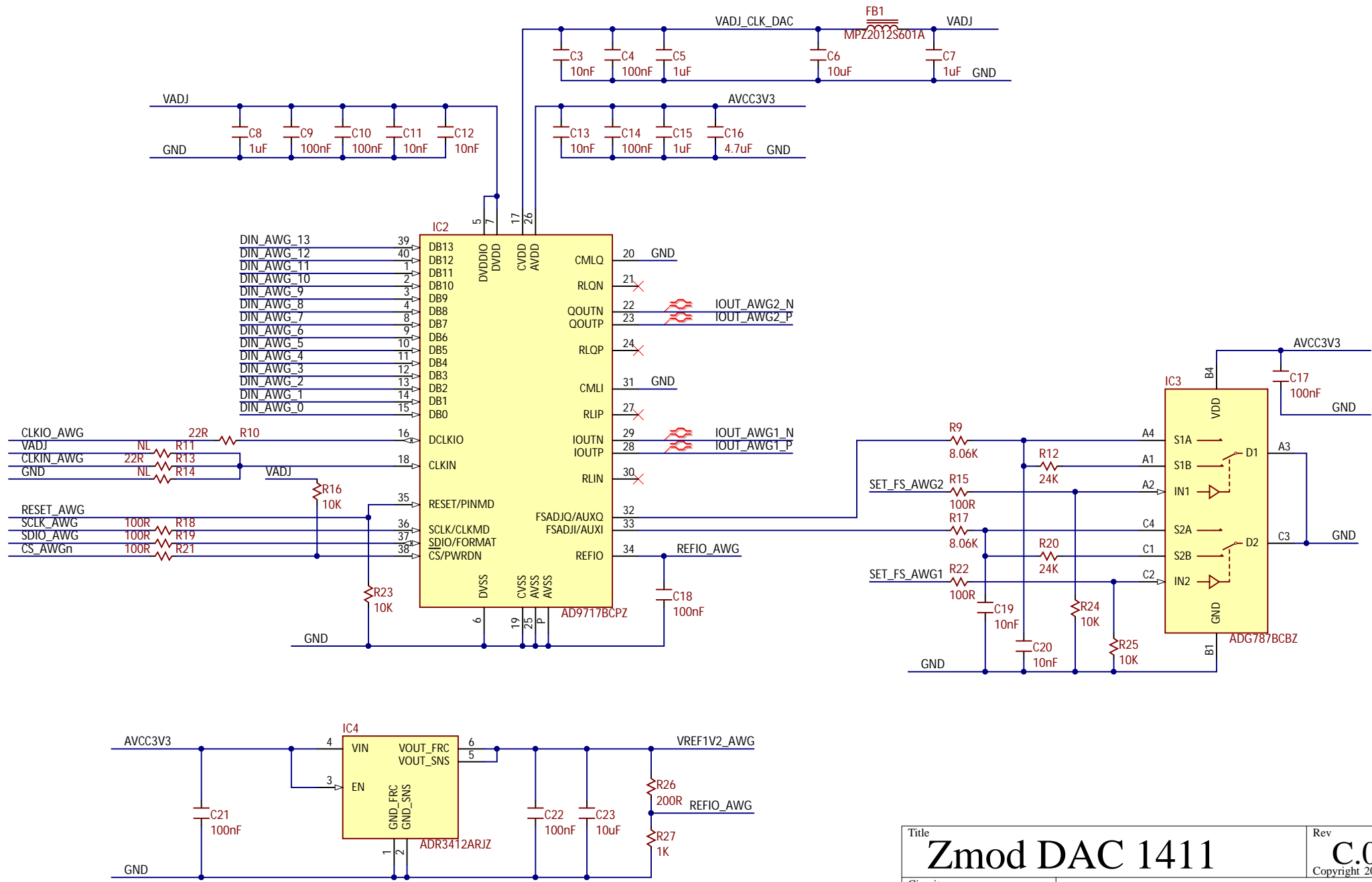
B

C

C

D

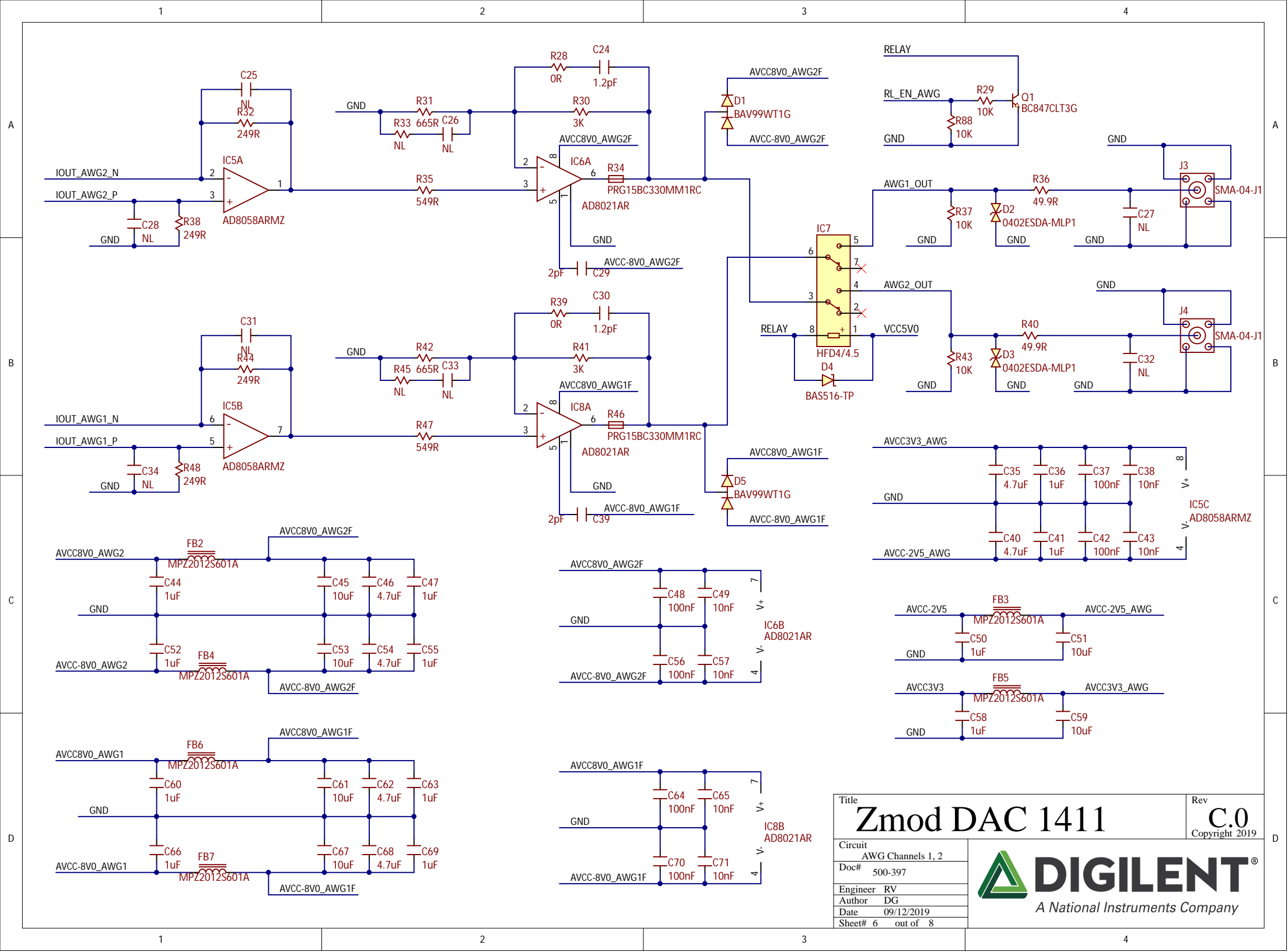
D



Title		Rev
Zmod DAC 1411		C.0
		Copyright 2019
Circuit	AWG DAC	
Doc#	500-397	
Engineer	RV	
Author	DG	
Date	09/12/2019	
Sheet#	5 out of 8	



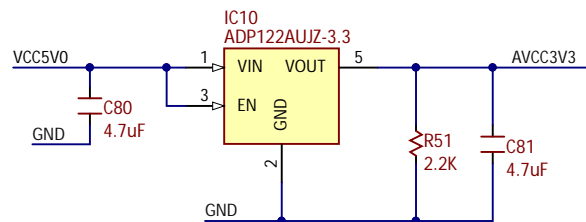
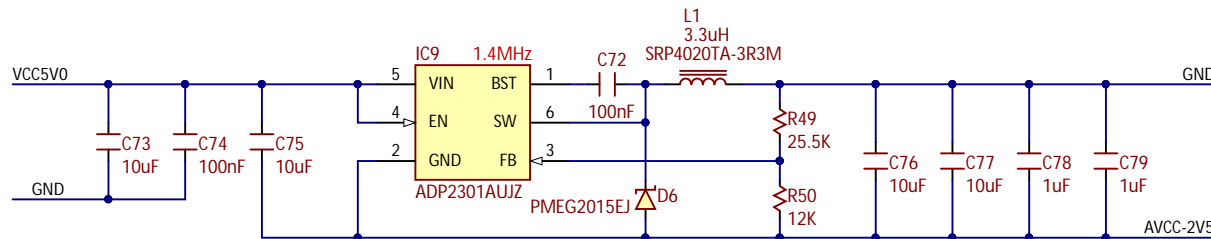
DIGILENT[®]
A National Instruments Company



Title		Rev
Zmod DAC 1411		C.0
Circuit		Copyright 2019
AWG Channels 1, 2		
Doc#	500-397	
Engineer	RV	
Author	DG	
Date	09/12/2019	
Sheet#	6 out of 8	

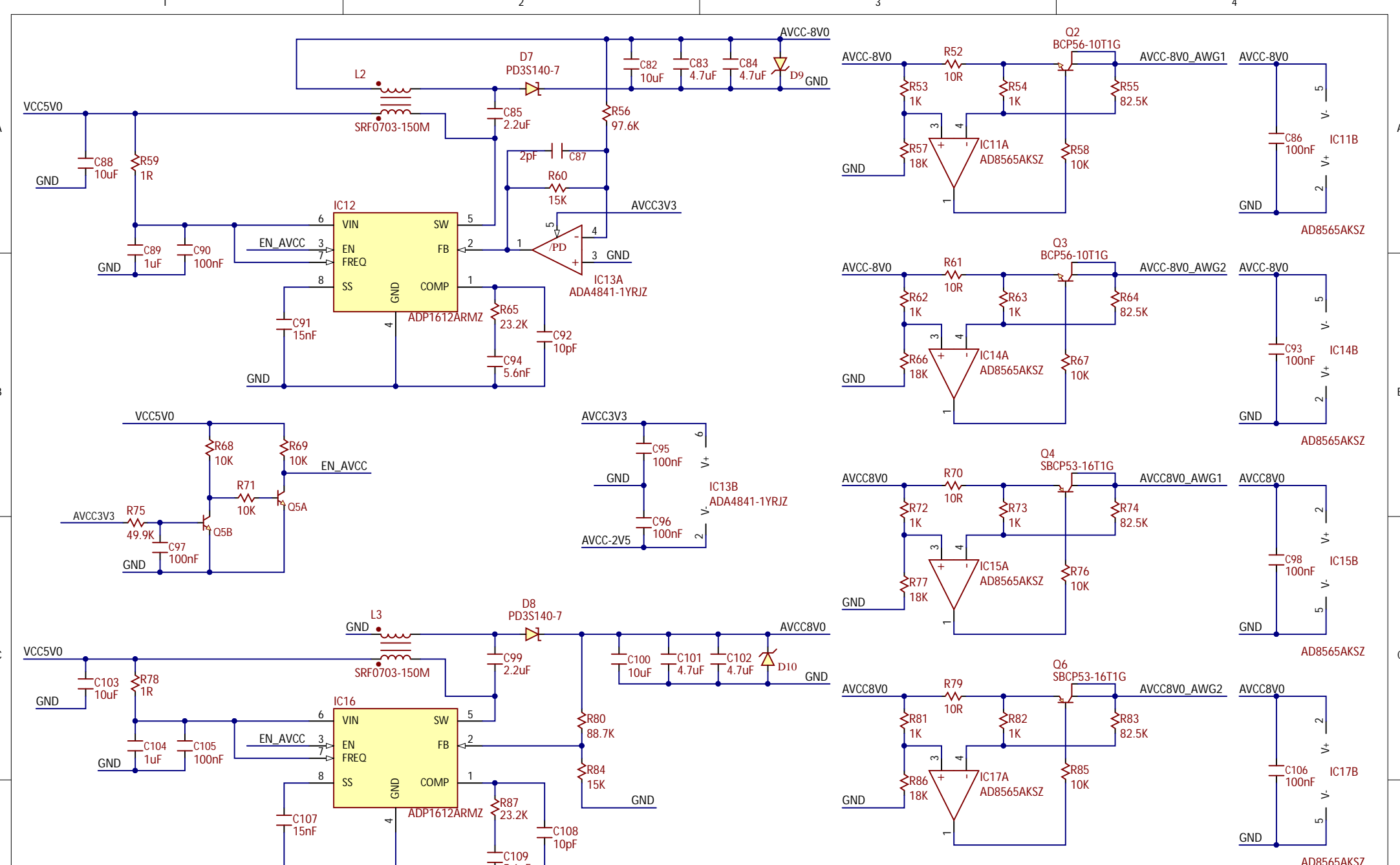


DIGILENT[®]
A National Instruments Company



Title		Rev
Zmod DAC 1411		C.0
		Copyright 2019
Circuit		
Analog Power Supplies		
Doc# 500-397		
Engineer RV		
Author DG		
Date 09/12/2019		
Sheet# 7 out of 8		


DIGILENT[®]
A National Instruments Company



Title		Rev
Zmod DAC 1411		C.0
Circuit		Copyright 2019
Analog Power Supplies II		
Doc#	500-397	
Engineer	RV	
Author	DG	
Date	09/12/2019	
Sheet#	8 out of 8	



DIGILENT[®]
A National Instruments Company