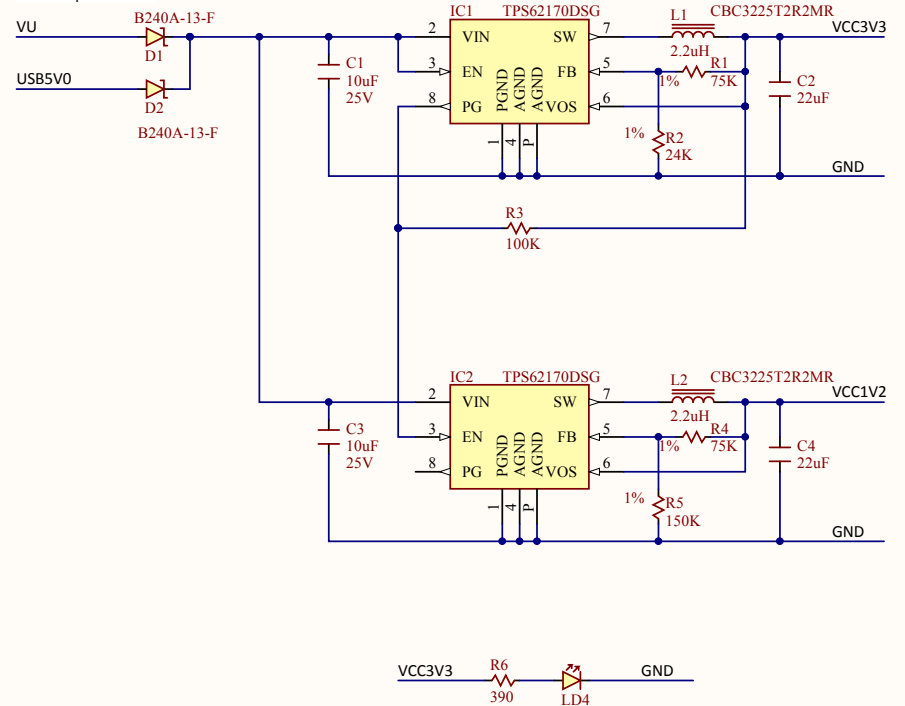
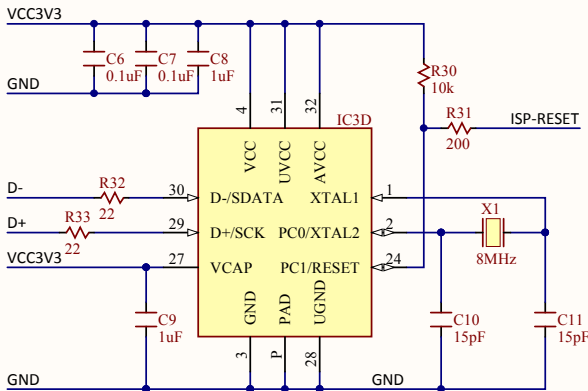
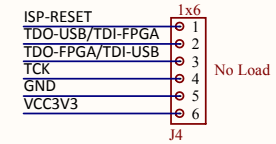
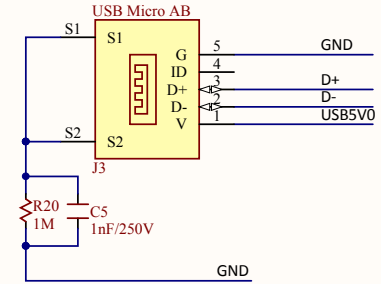
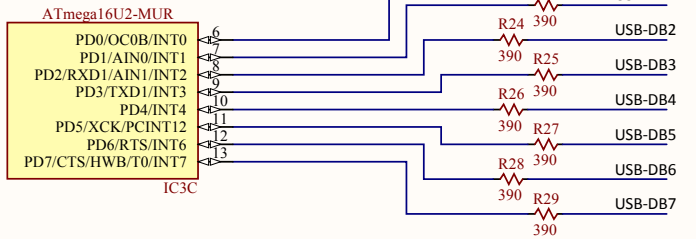
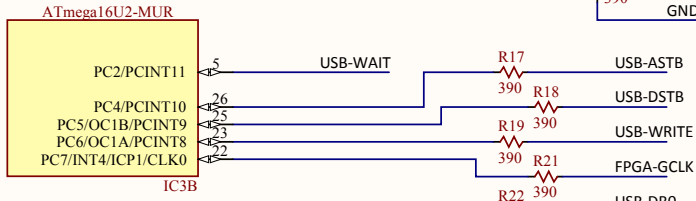
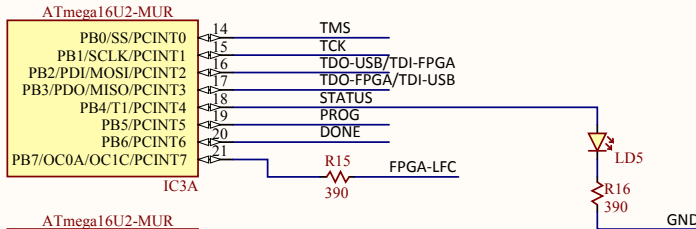


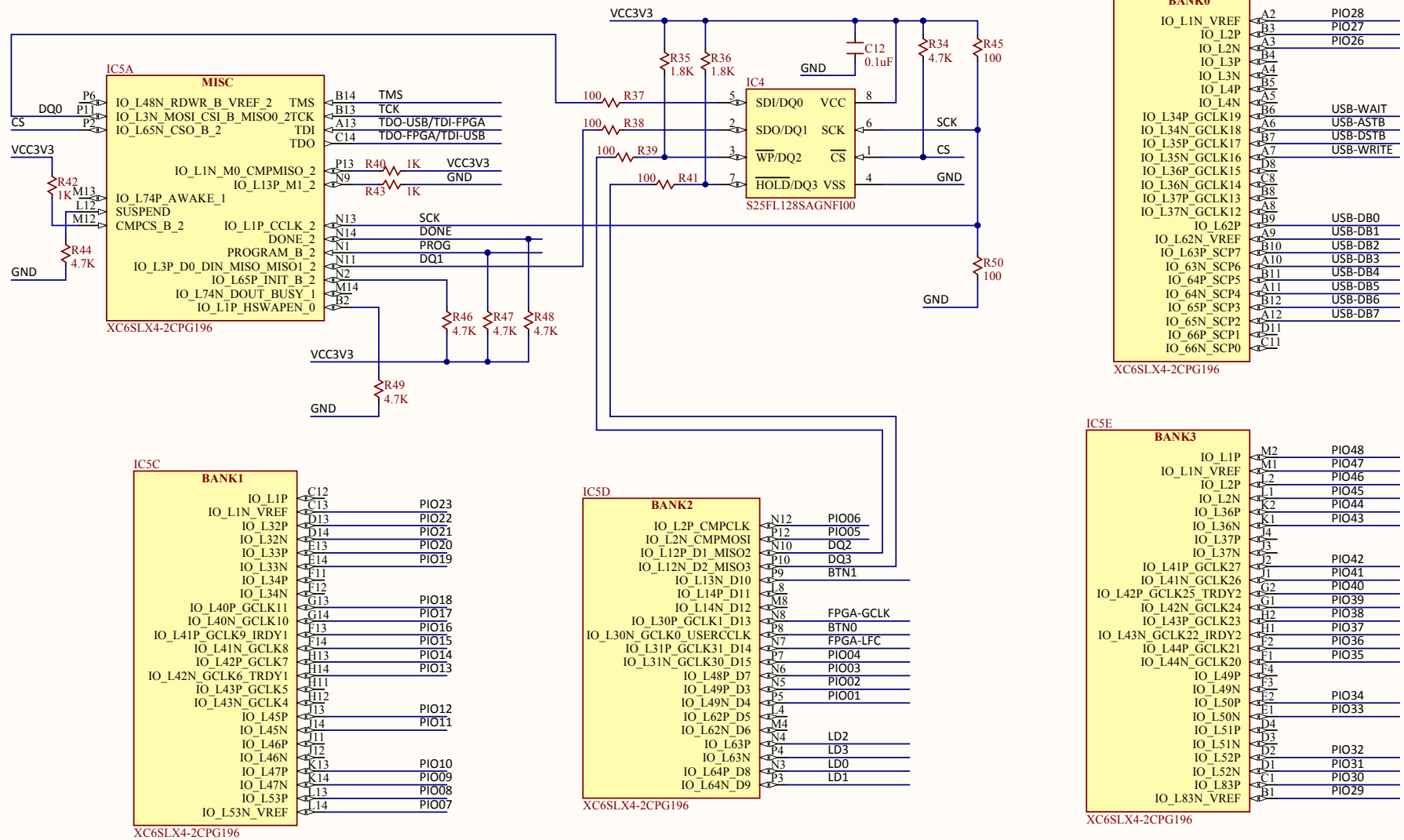
Note: VU must be between 5 and 15V for safe operation.



Title		Rev
Cmod S6		A.0
IO and Power		Copyright 2013
Doc#	500-282	
Engineer	MA	
Author	GMA	
Date	5/9/2013	
Sheet#	1 out of 4	



Title <b>Cmod S6</b>		Rev <b>A.0</b> Copyright 2013
Circuit Digilent USB		
Doc# 500-282		
Engineer MA		
Author GMA		
Date 5/9/2013		
Sheet# 2 out of 4		



Title		Cmod S6		Rev		A.0	
Circuit		FPGA		Copyright		2013	
Doc#		500-282					
Engineer		MA					
Author		GMA					
Date		5/9/2013					
Sheet#		3 out of 4					

