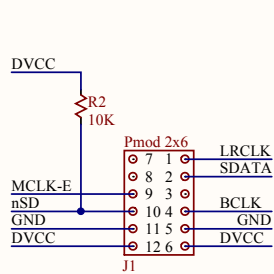
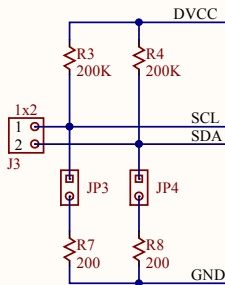


Note: If external voltage is desired remove R1 and load JP1.



Note: For this Pmod, the voltage applied to DVCC must be kept between 2.7V and 5.5V to avoid damaging the parts used in this circuit.



When not operating in stand-alone mode, remove JP3 and JP4.

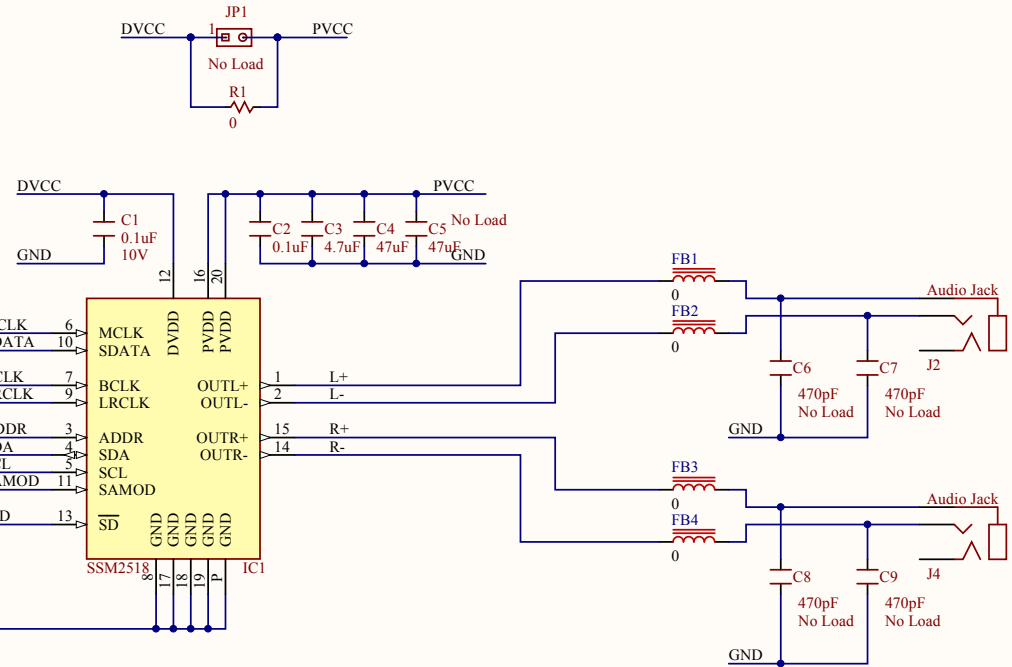
	LOADED	UNLOADED
JP3	I2S	Left Justified
JP4	256 x Fs	384 x Fs
JP5	I2C	Stand-Alone
JP6	12dB Gain	0dB Gain

Fs = Audio Sampling Rate

Default

For more information on the parts used in this design, please refer to: www.analog.com/SSM2518 - Digital Input Stereo, 2W, Class-D Audio Power Amplifier

ROHS Chinese ROHS



Title PmodAMP3		Rev A.0
Circuit Main Circuit	Copyright	
Doc# 500-270	DIGILENT®	
Engineer MA	BEYOND THEORY	
Author GA		
Date 9/18/2012		
Sheet# 1 out of 1		