

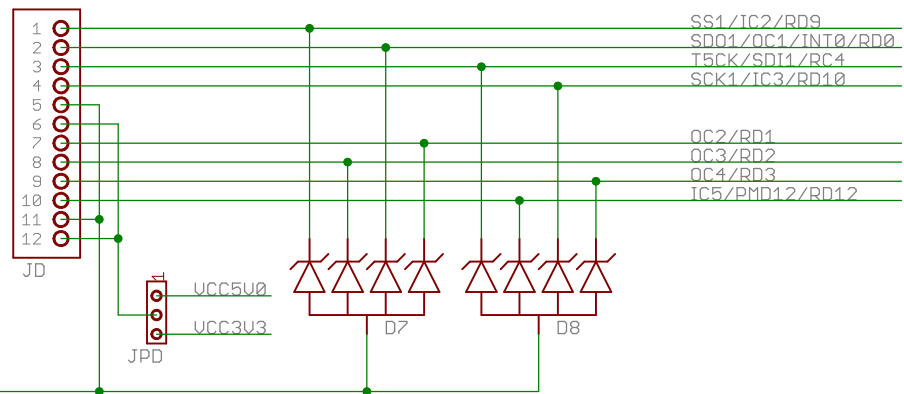
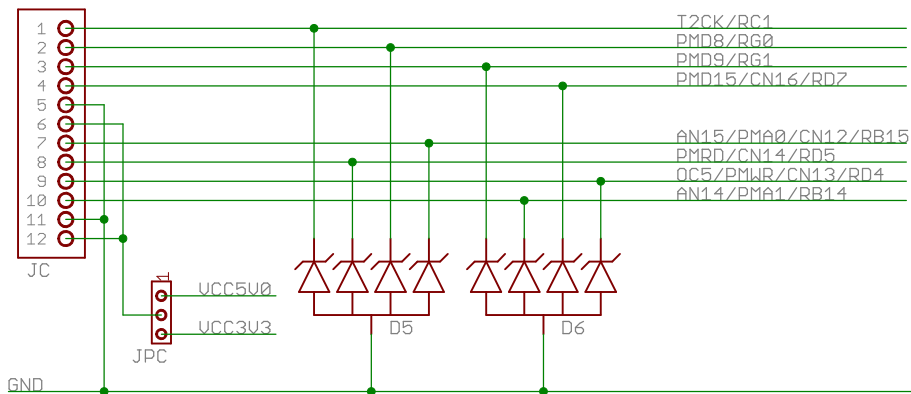
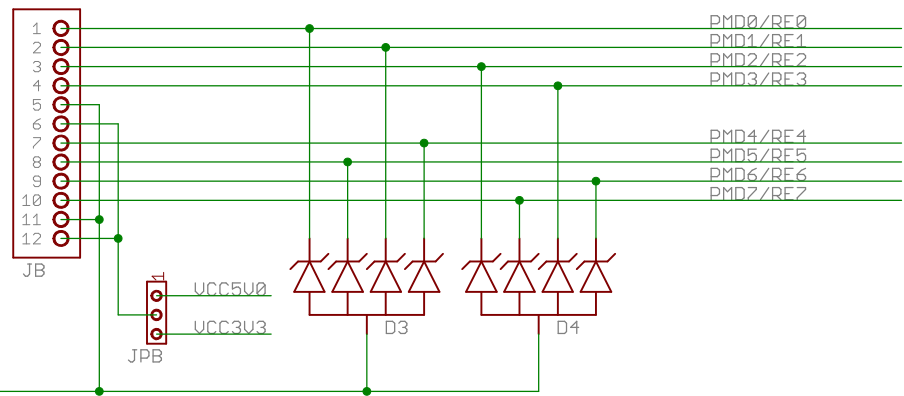
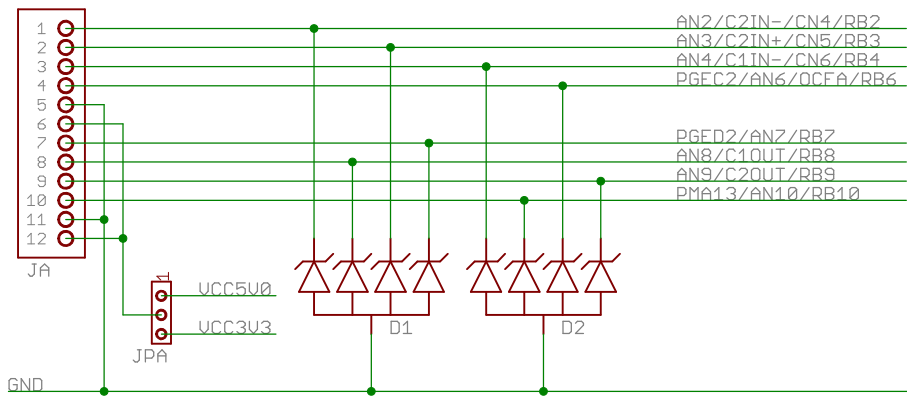
# chipKIT™ Pro MX7 Reference Design

Digilent chipKIT hardware files are licensed under the Creative Commons Attribution-ShareAlike license. This license allows for both personal and commercial derivative works, as long as proper credit is given to Digilent and the designs are released under the same license.

[www.creativecommons.org/licenses/by-sa/3.0/](http://www.creativecommons.org/licenses/by-sa/3.0/)

Reference designs are provided "AS IS" and "WITH ALL FAULTS". Digilent disclaims all other warranties express or implied, regarding this product, including but not limited to, any implied warranties of merchantability or fitness for any particular application. Digilent may make changes to specifications and product descriptions at any time, without notice.

chipKIT Pro MX7		Engineer: NEA
Copyright 2013, Digilent Inc.		Author: GA
SHEET: Pmod Connectors		Rev: A.0
TITLE: chipKIT Pro MX7		Sheet: 1/10
Doc#: 500-296	Date: 11/26/2013	



WEEE

ROHS CHINA

Digilent Inc.

CEREBOT MX7cK

chipKIT

chipKIT Pro MX7

Copyright 2013, Digilent Inc.

Engineer: NEA

SHEET: Pmod Connectors

Author: GA

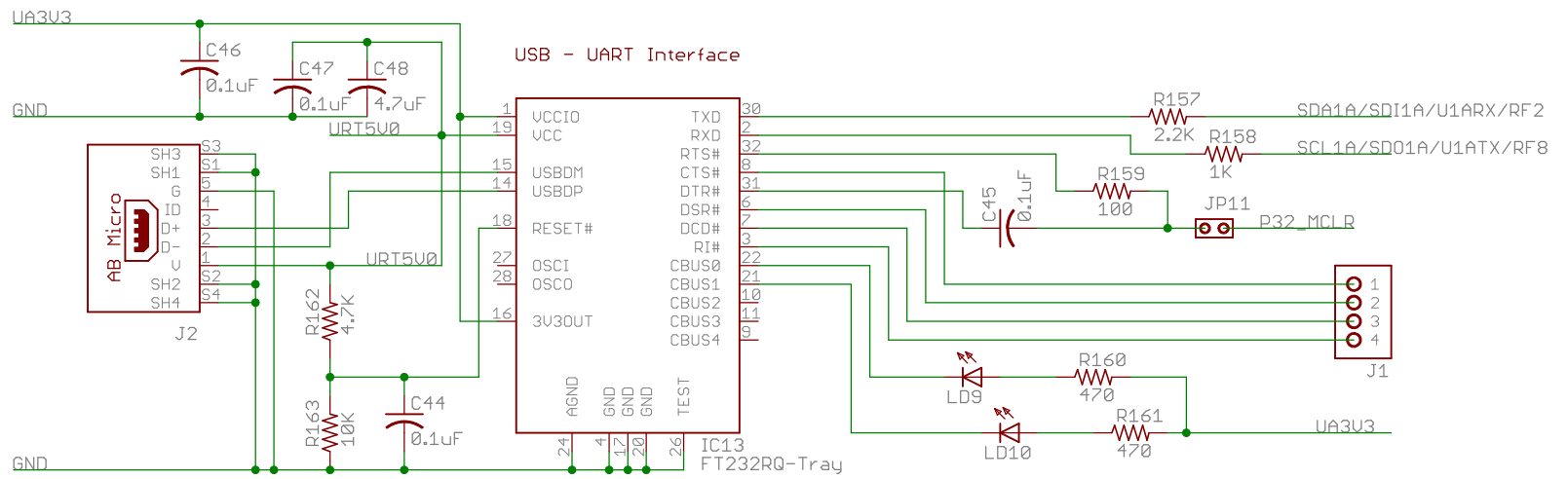
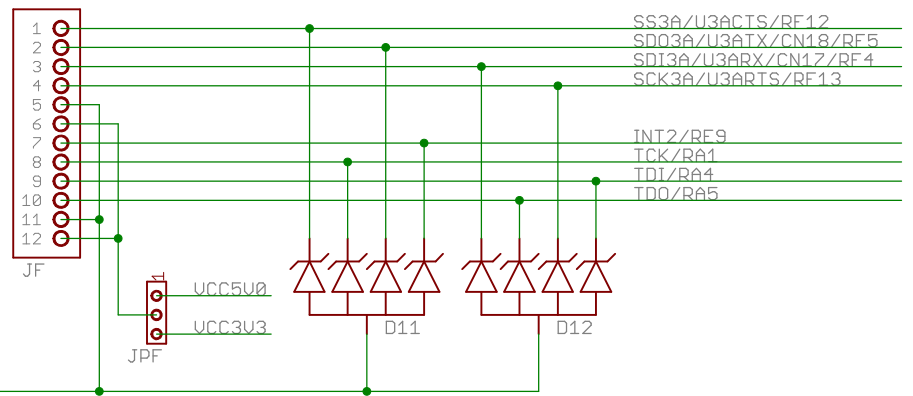
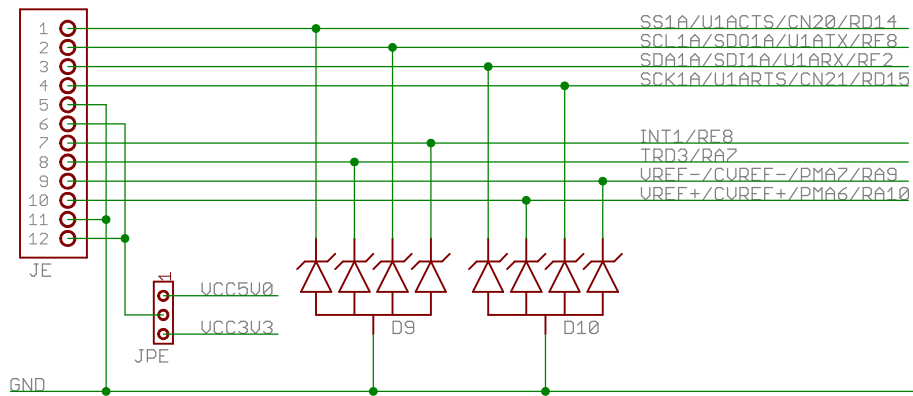
TITLE: chipKIT Pro MX7

Rev: A.0

Doc#: 500-296

Date: 11/26/2013

Sheet: 2/10

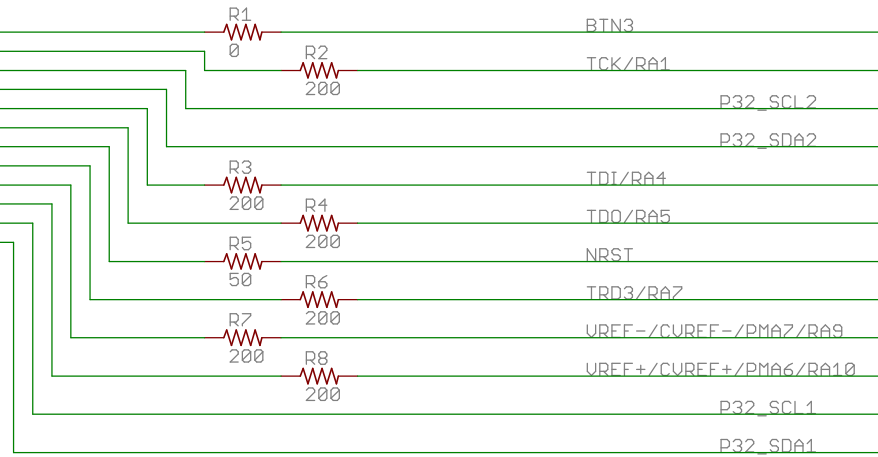


chipKIT Pro MX7		Engineer: NEA
Copyright 2013, Digilent Inc.		Author: GA
SHEET: Pmod Connectors and USB/UART		Rev: A.0
TITLE: chipKIT Pro MX7		Doc#: 500-296
Date: 11/26/2013	Sheet: 3/10	

Port A

TMS/RA0 17  
TCK/RA1 38  
SCL2/RA2 58  
SDA2/RA3 59  
TDI/RA4 60  
TDO/RA5 61  
TRCLK/RA6 91  
TRD3/RA7 92  
UREF-/CUREF-/AERXD2/PMA7/RA9 28  
UREF+/CUREF+/AERXD3/PMA6/RA10 29  
AETXCLK/SCL1/INT3/RA14 66  
AETXEN/SDA1/INT4/RA15 67

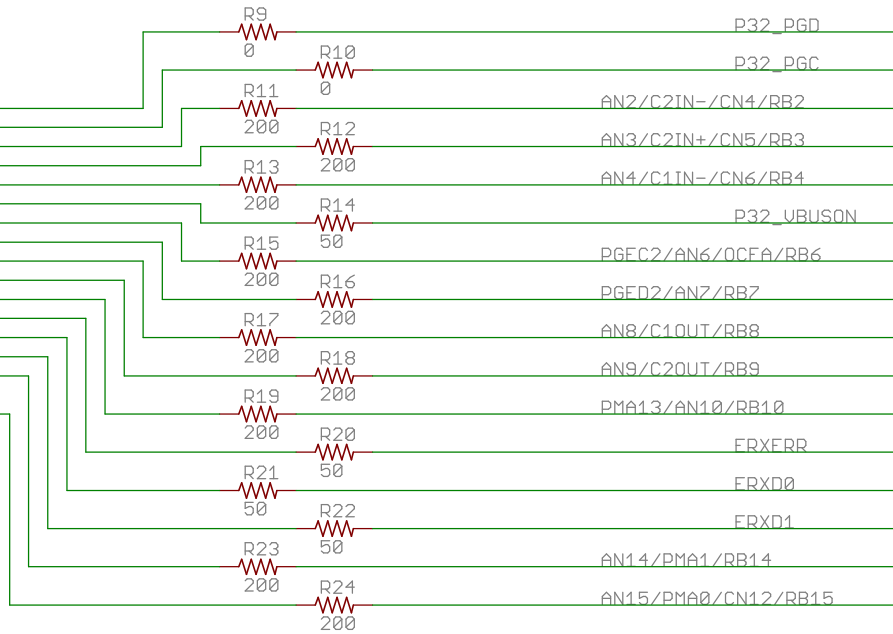
IC1PA



Port B

PGED1/AN0/CN2/RB0 25  
PGEC1/AN1/CN3/RB1 24  
AN2/C2IN-/CN4/RB2 23  
AN3/C2IN+/CN5/RB3 22  
AN4/C1IN-/CN6/RB4 21  
AN5/C1IN+/UBUSON/CN7/RB5 20  
PGEC2/AN6/OCFA/RB6 26  
PGED2/AN7/RB7 27  
AN8/C1OUT/RB8 32  
AN9/C2OUT/RB9 33  
AN10/CUREFOUT/PMA13/RB10 34  
AN11/ERXERR/AETXERR/PMA12/RB11 35  
AN12/ERXD0/AECRS/PMA11/RB12 41  
AN13/ERXD1/AECOL/PMA10/RB13 42  
AN14/ERXD2/AETXD3/PMALH/PMA1/RB14 43  
AN15/ERXD3/AETXD2/OCFB/PMALL/PMA0/CN12/RB15 44

IC1PB



chipKIT Pro MX7

Copyright 2013, Digilent Inc.

Engineer: NEA

SHEET: PIC32 Microcontroller

Author: GA

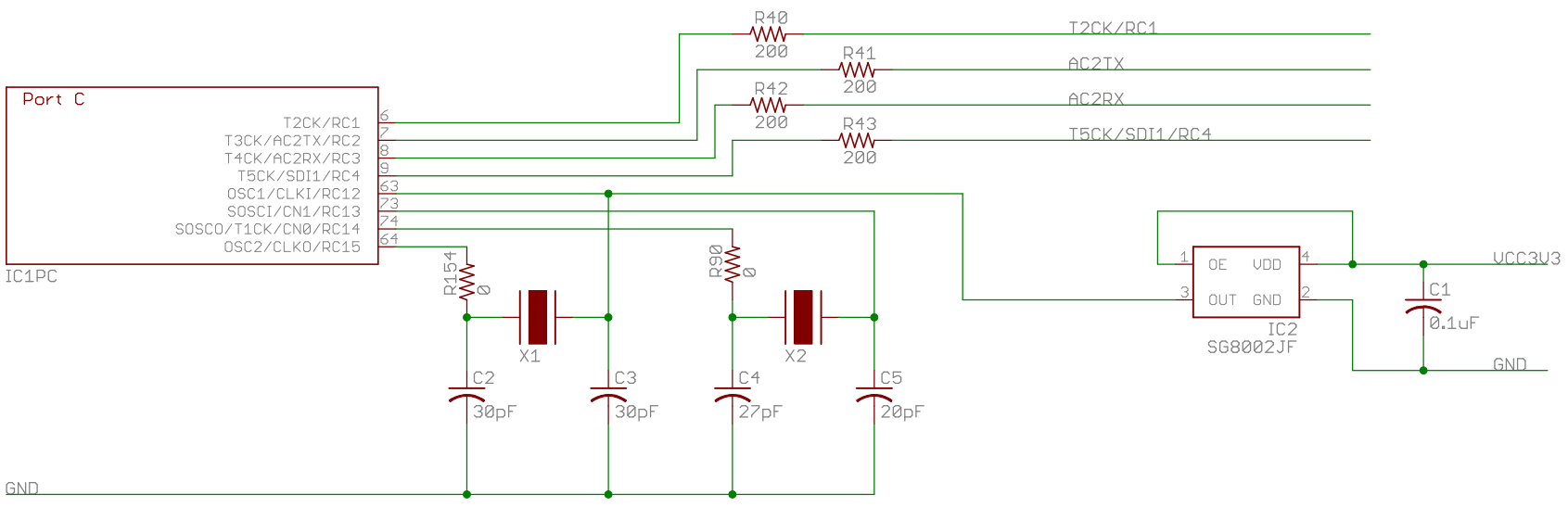
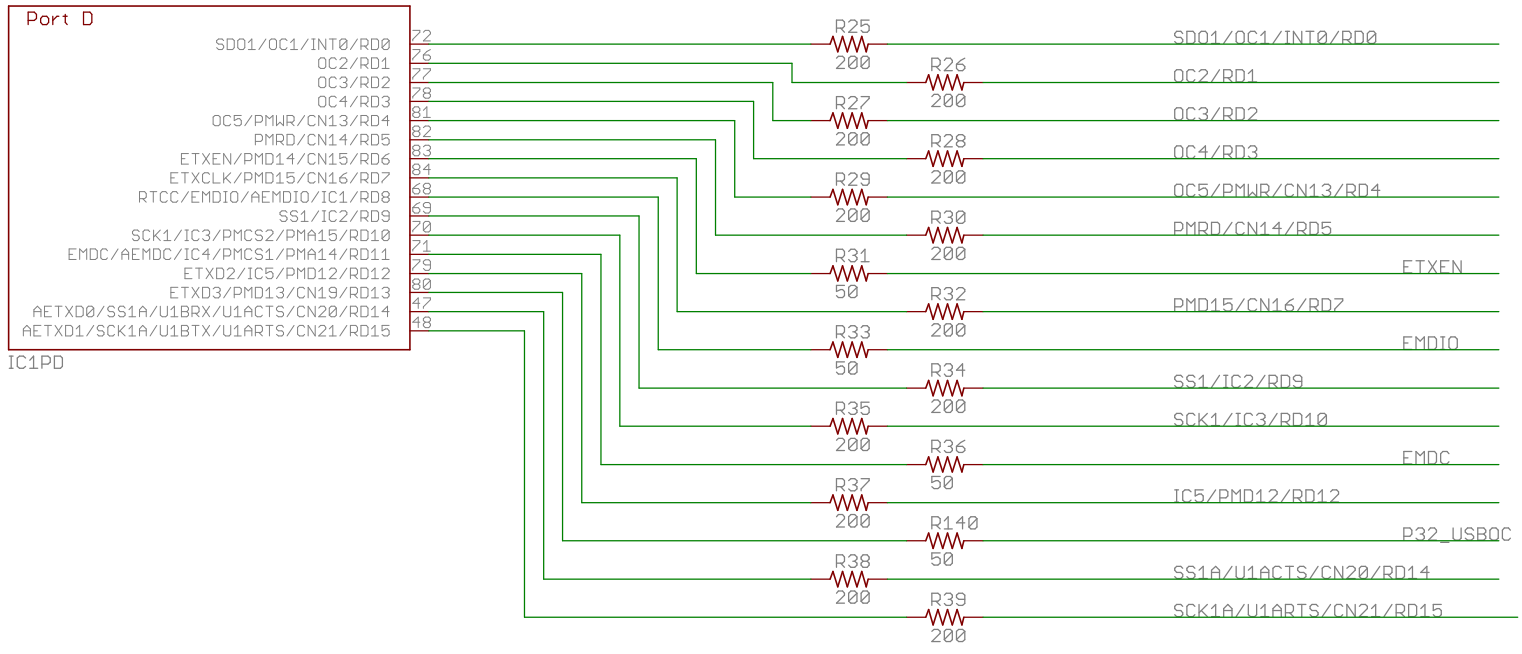
TITLE: chipKIT Pro MX7

Rev: A.0

Doc#: 500-296

Date: 11/26/2013

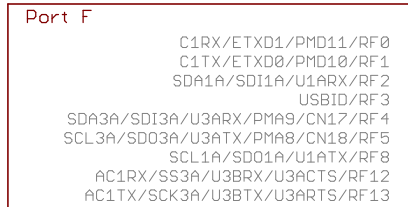
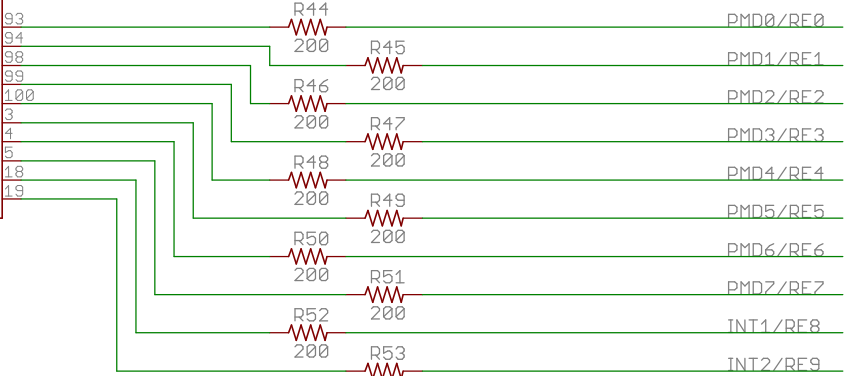
Sheet: 4/10



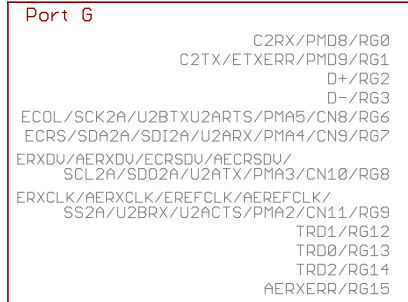
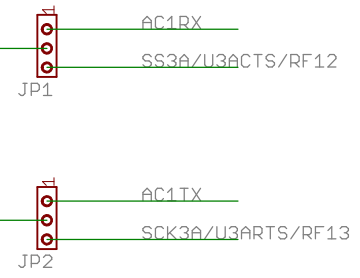
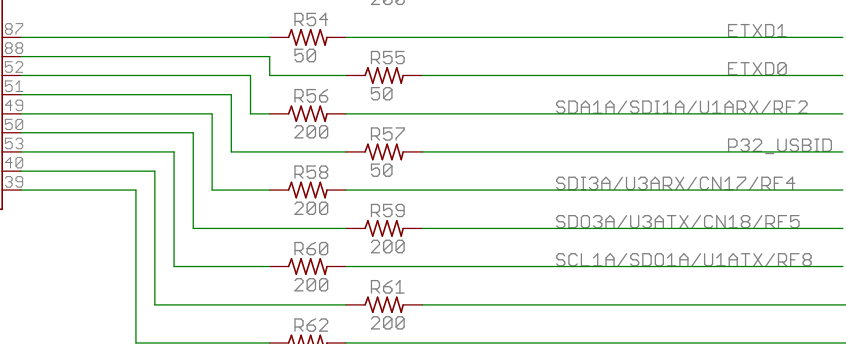
chipKIT Pro MX7		Engineer: NEA
Copyright 2013, Digilent Inc.		Author: GA
SHEET: PIC32 Microcontroller		Rev: A.0
TITLE: chipKIT Pro MX7		Doc#: 500-296
Date: 11/26/2013	Sheet: 5/10	



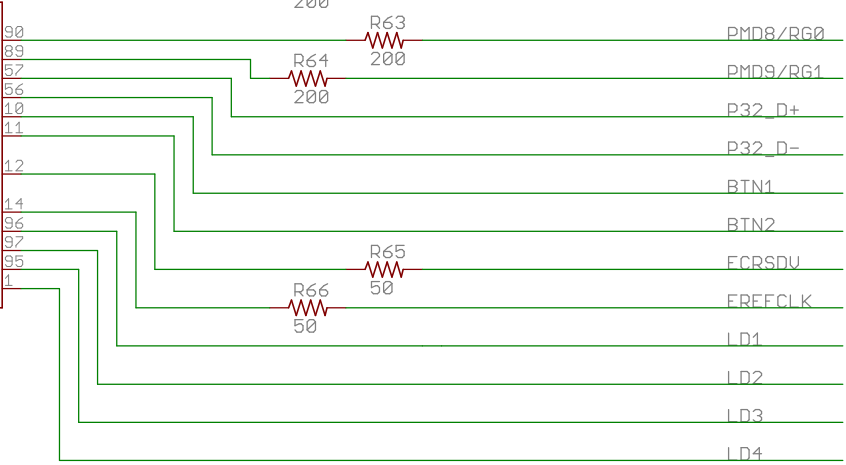
IC1PE



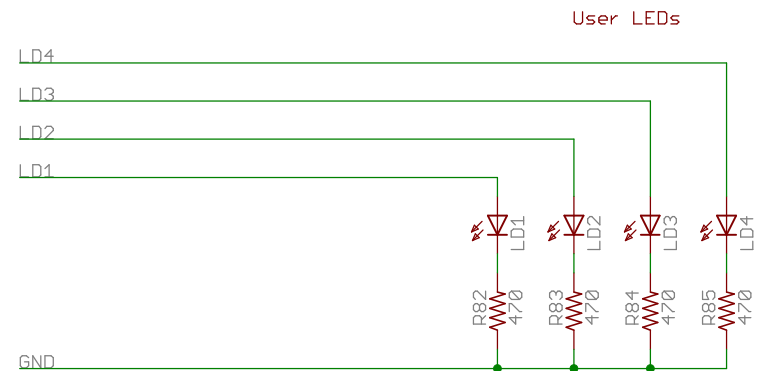
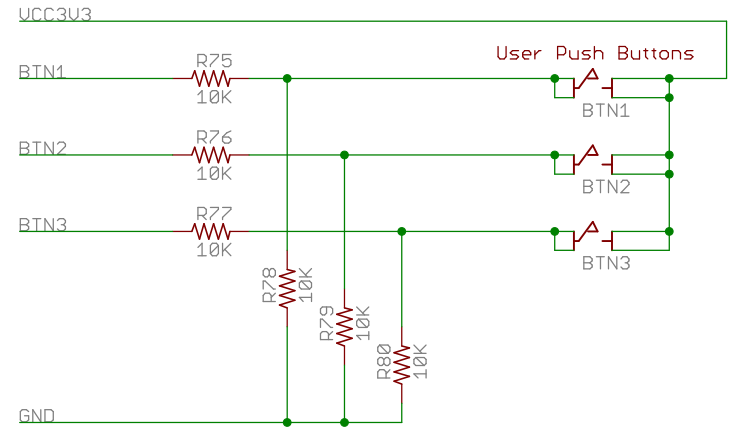
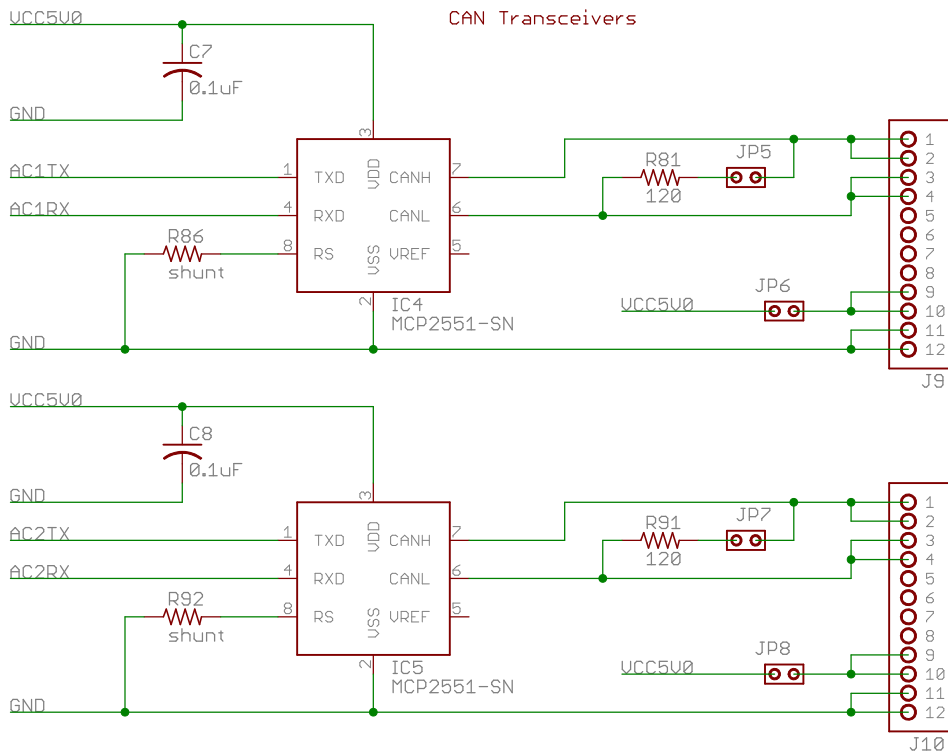
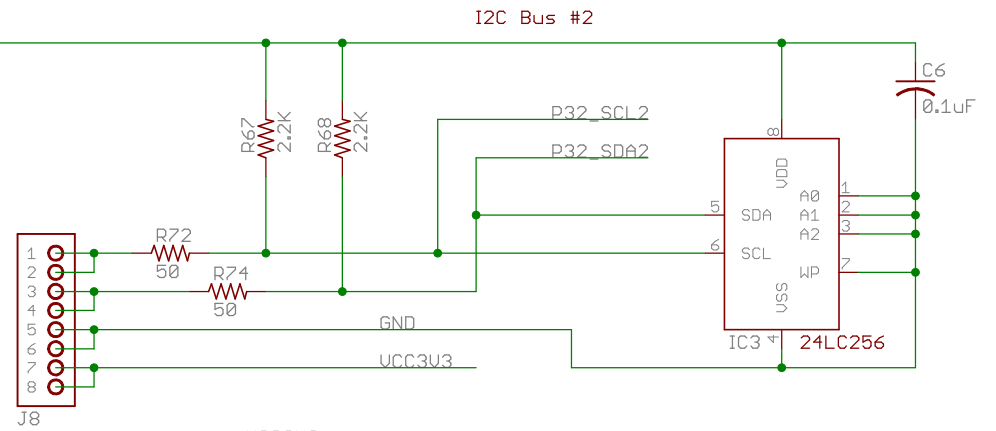
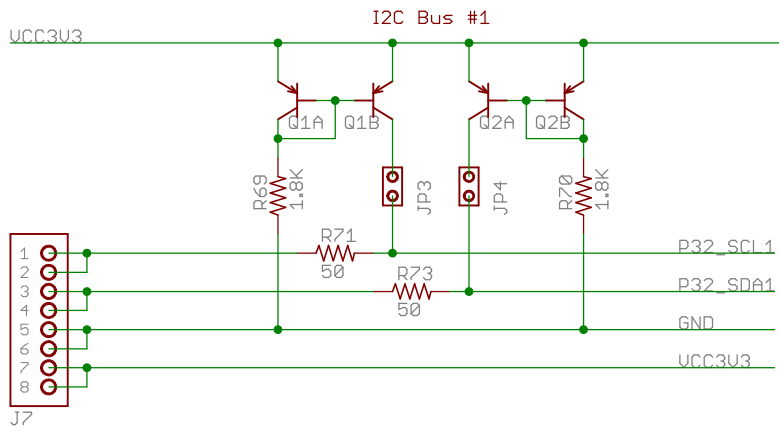
IC1PF



IC1PG



chipKIT Pro MX7		Engineer: NEA
Copyright 2013, Digilent Inc.		Author: GA
SHEET: PIC32 Microcontroller		Rev: A.0
TITLE: chipKIT Pro MX7		Doc#: 500-296
Date: 11/26/2013	Sheet: 6/10	



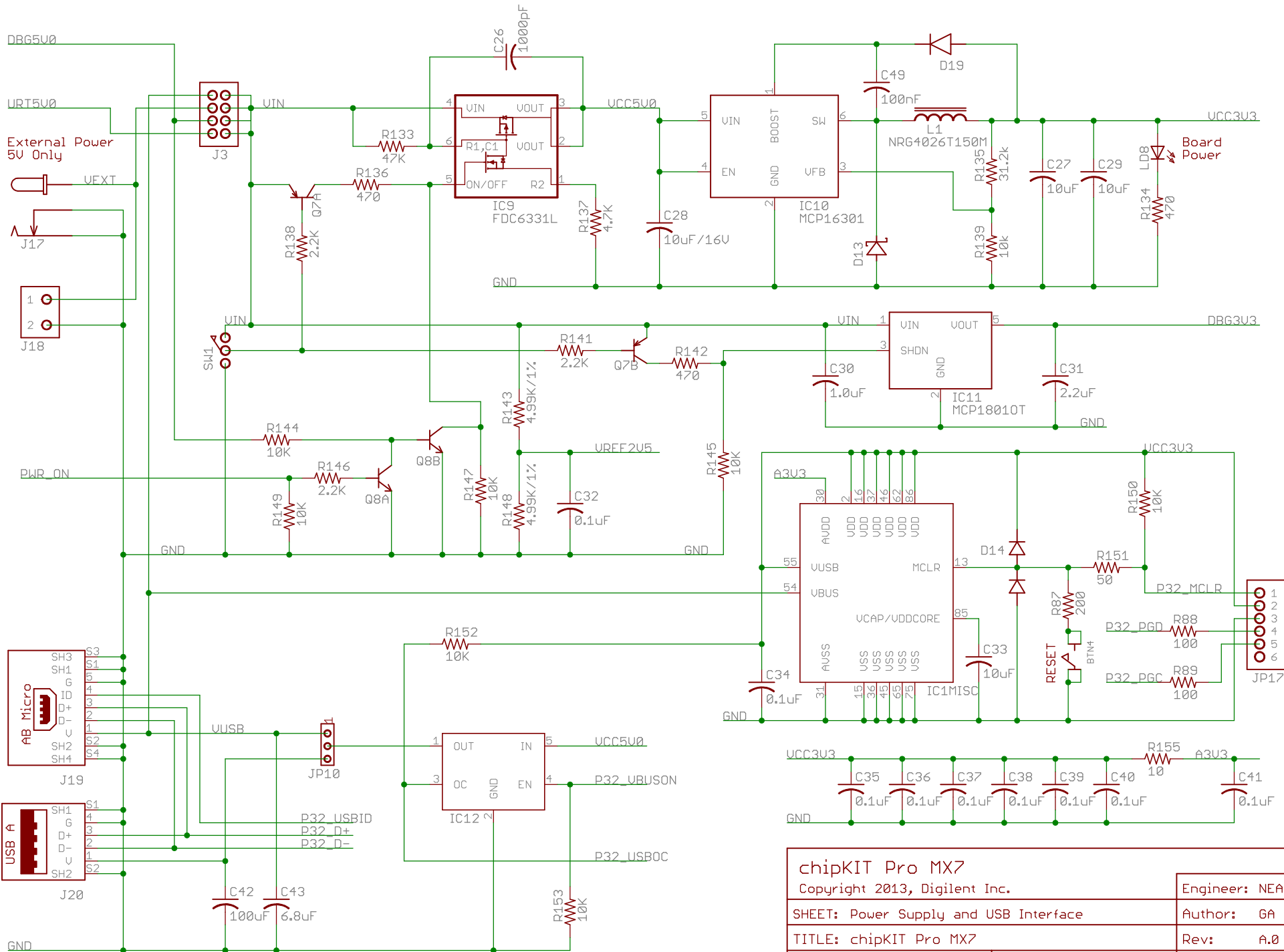
chipKIT Pro MX7		Engineer: NEA
Copyright 2013, Digilent Inc.		Author: GA
SHEET: Misc. I/O		Rev: A.0
TITLE: chipKIT Pro MX7		Doc#: 500-296
Date: 11/26/2013	Sheet: 7/10	





This Seet Intentionally Left Blank

chipKIT Pro MX7		Engineer: NEA
Copyright 2013, Digilent Inc.		Author: GA
SHEET: Debug Interface		Rev: A.0
TITLE: chipKIT Pro MX7		Sheet: 9/10
Doc#: 500-296	Date: 11/26/2013	



chipKIT Pro MX7		Engineer: NEA
Copyright 2013, Digilent Inc.		Author: GA
SHEET: Power Supply and USB Interface		Rev: A.0
TITLE: chipKIT Pro MX7		Doc#: 500-296
Date: 11/26/2013		Sheet: 10/10