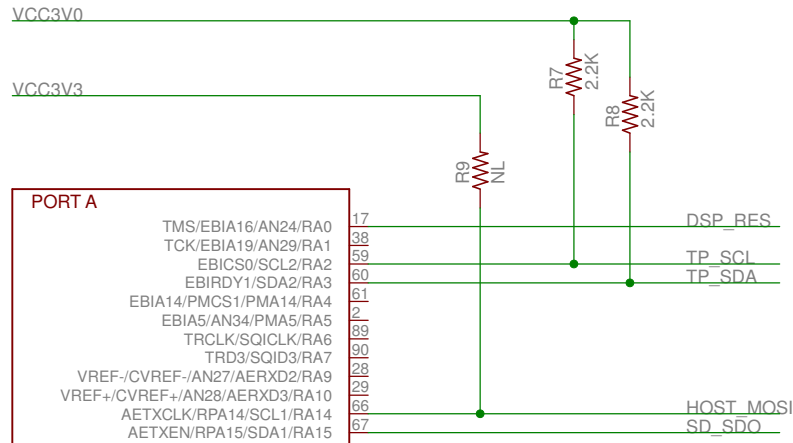
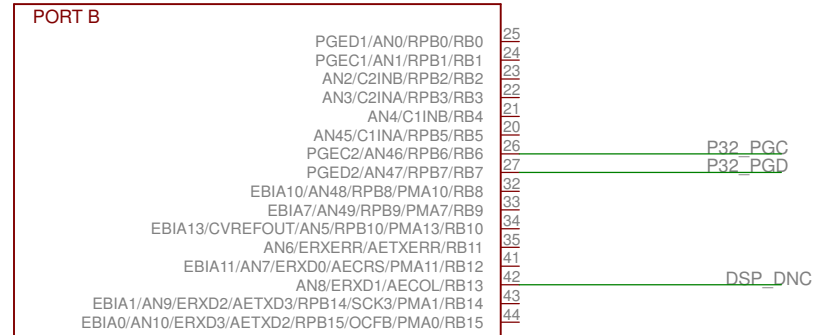


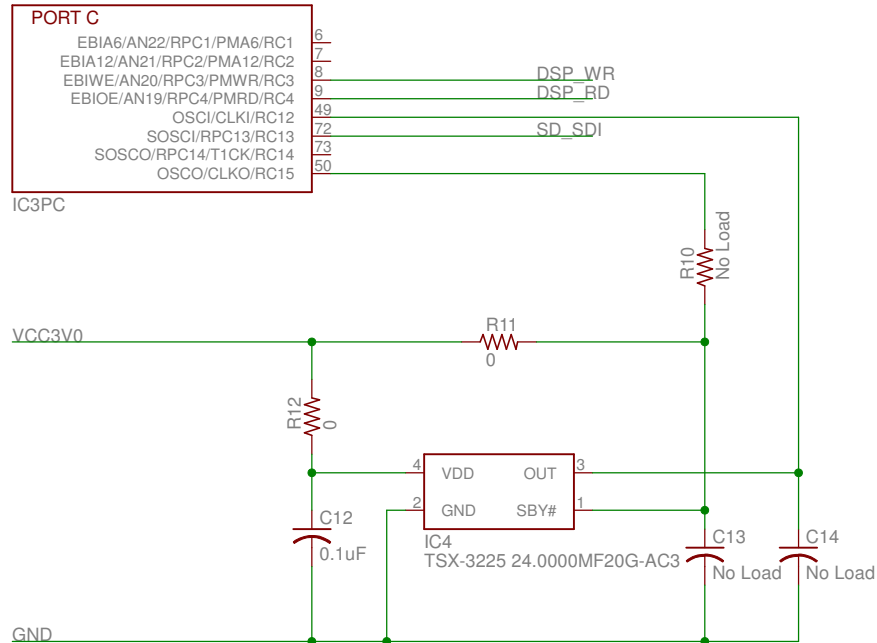
|                                      |                 |                 |
|--------------------------------------|-----------------|-----------------|
| <b>Multi-Touch Display Shield</b>    |                 | Copyright@ 2016 |
|                                      |                 | Engineer: NEA   |
| SHEET: Shield and Display Connectors |                 | Author: GMA     |
| TITLE: Multi-Touch Display Shield    |                 | Rev: D.0        |
| Doc#: 500-317                        | Date: 4/15/2016 | Sheet: 1/3      |



IC3PA



IC3PB



IC3PC

## Multi-Touch Display Shield

Copyright@ 2016

Engineer: NEA

SHEET: PIC32 Ports

Author: GMA

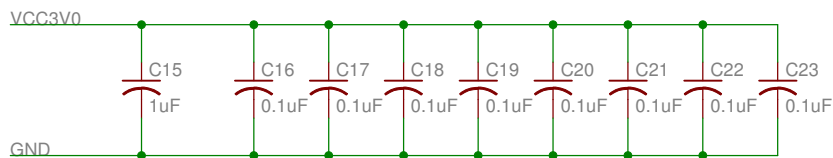
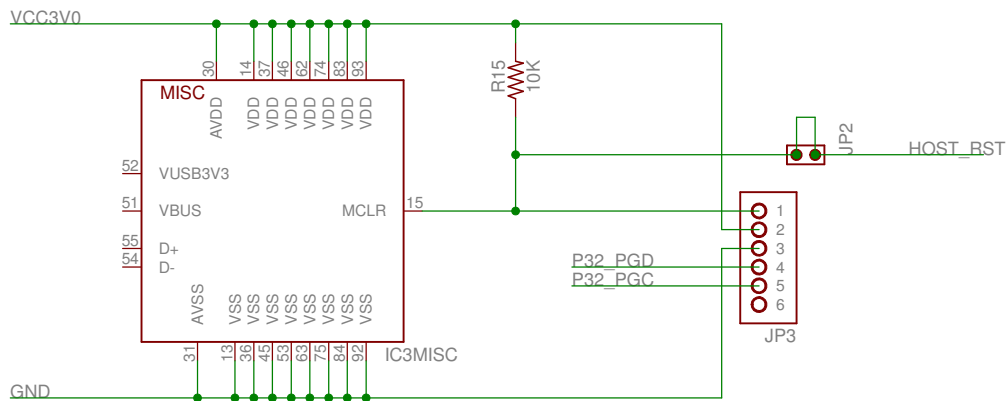
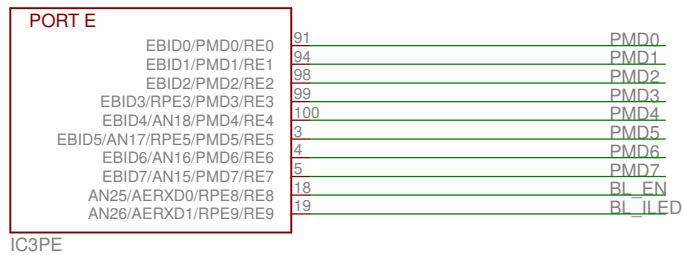
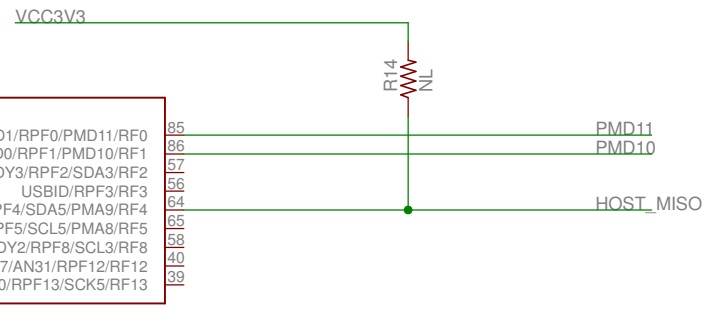
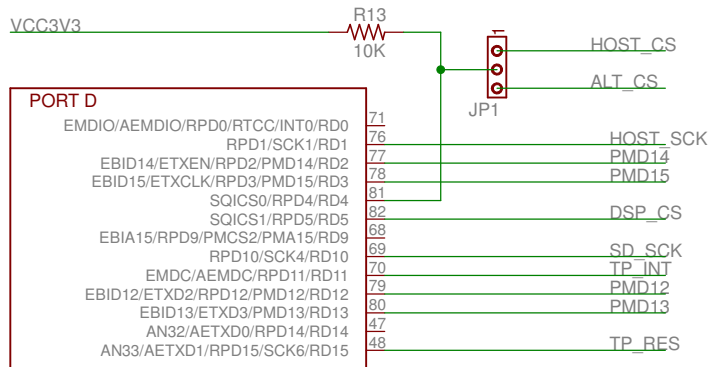
TITLE: Multi-Touch Display Shield

Rev: D.0

Doc#: 500-317

Date: 4/15/2016

Sheet: 2/3



|                                   |            |                 |
|-----------------------------------|------------|-----------------|
| <b>Multi-Touch Display Shield</b> |            | Copyright@ 2016 |
| SHEET: PIC32 Ports                |            | Engineer: NEA   |
| TITLE: Multi-Touch Display Shield |            | Author: GMA     |
| Doc#: 500-317                     |            | Rev: D.0        |
| Date: 4/15/2016                   | Sheet: 3/3 |                 |