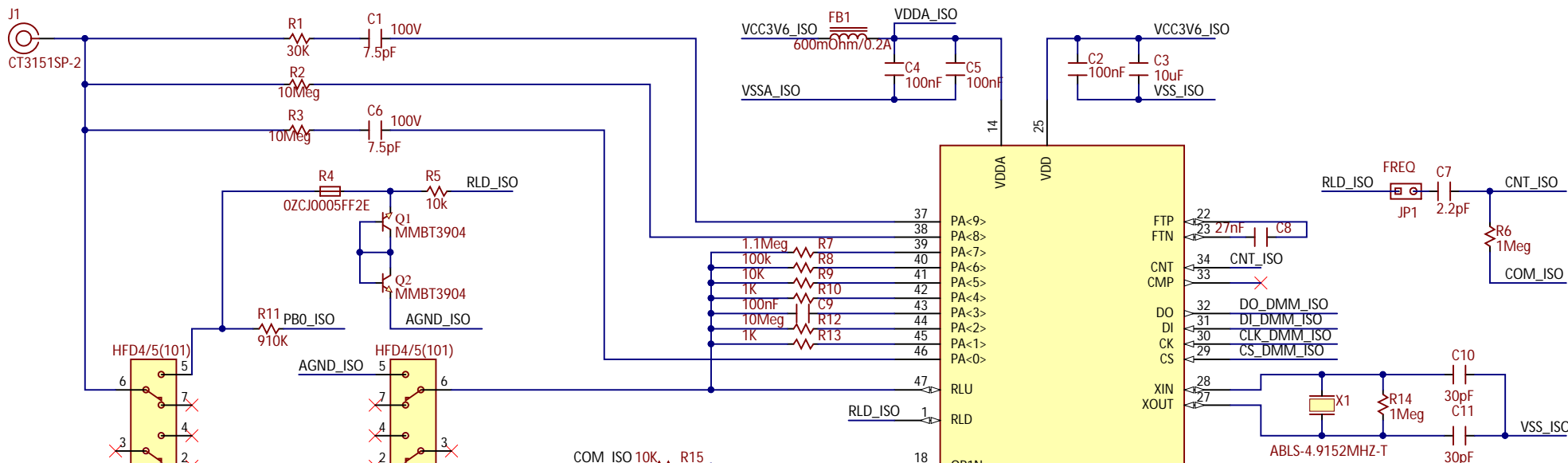
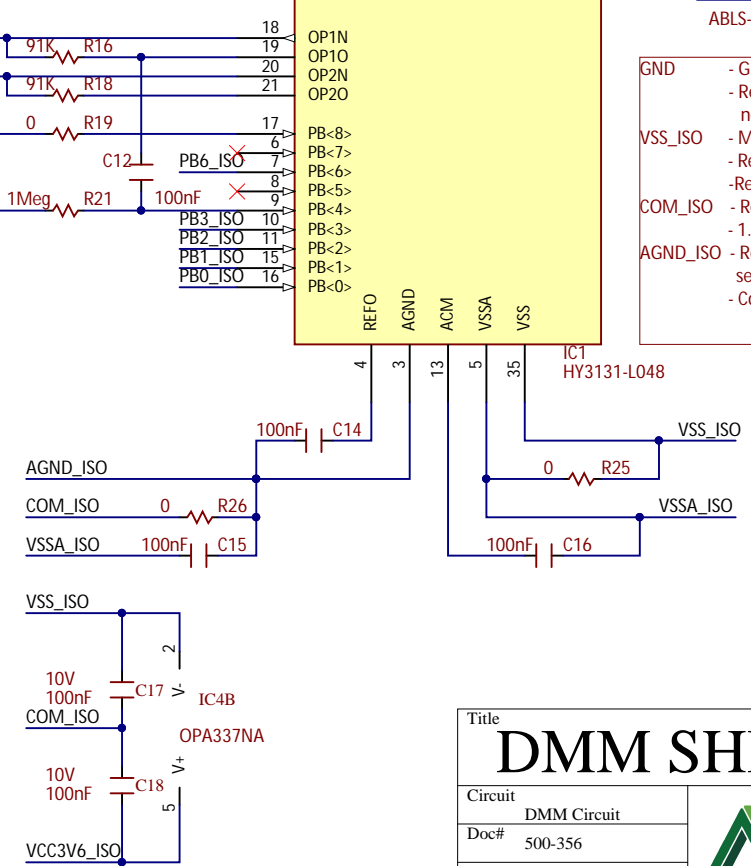
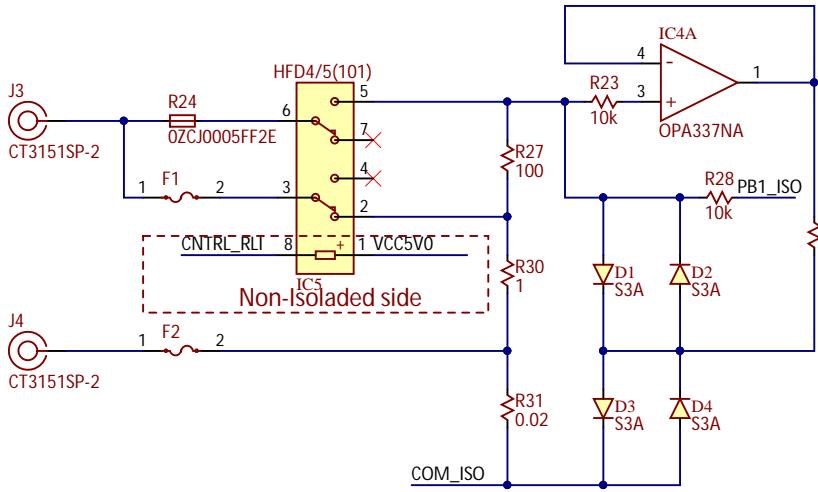
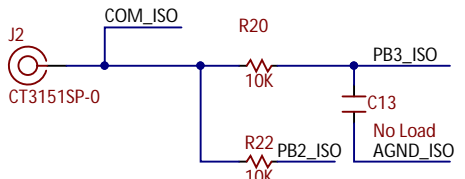
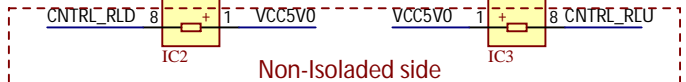


Isolated side



**GND** - Ground for the non-isolated section.  
 - Reference for all signals and voltage rails in the non-isolated section.  
**VSS\_ISO** - Most negative voltage in the isolated section.  
 - Reference for VCC5V0\_ISO, VCC3V6\_ISO  
**COM\_ISO** - Reference for digital signals in the isolated section.  
 - Reference for the DMM measurements  
 - 1.8V above VSS\_ISO.  
**AGND\_ISO** - Reference for the analog signals in the isolated section.  
 - Connected to AGND\_ISO via 0ohm resistor.

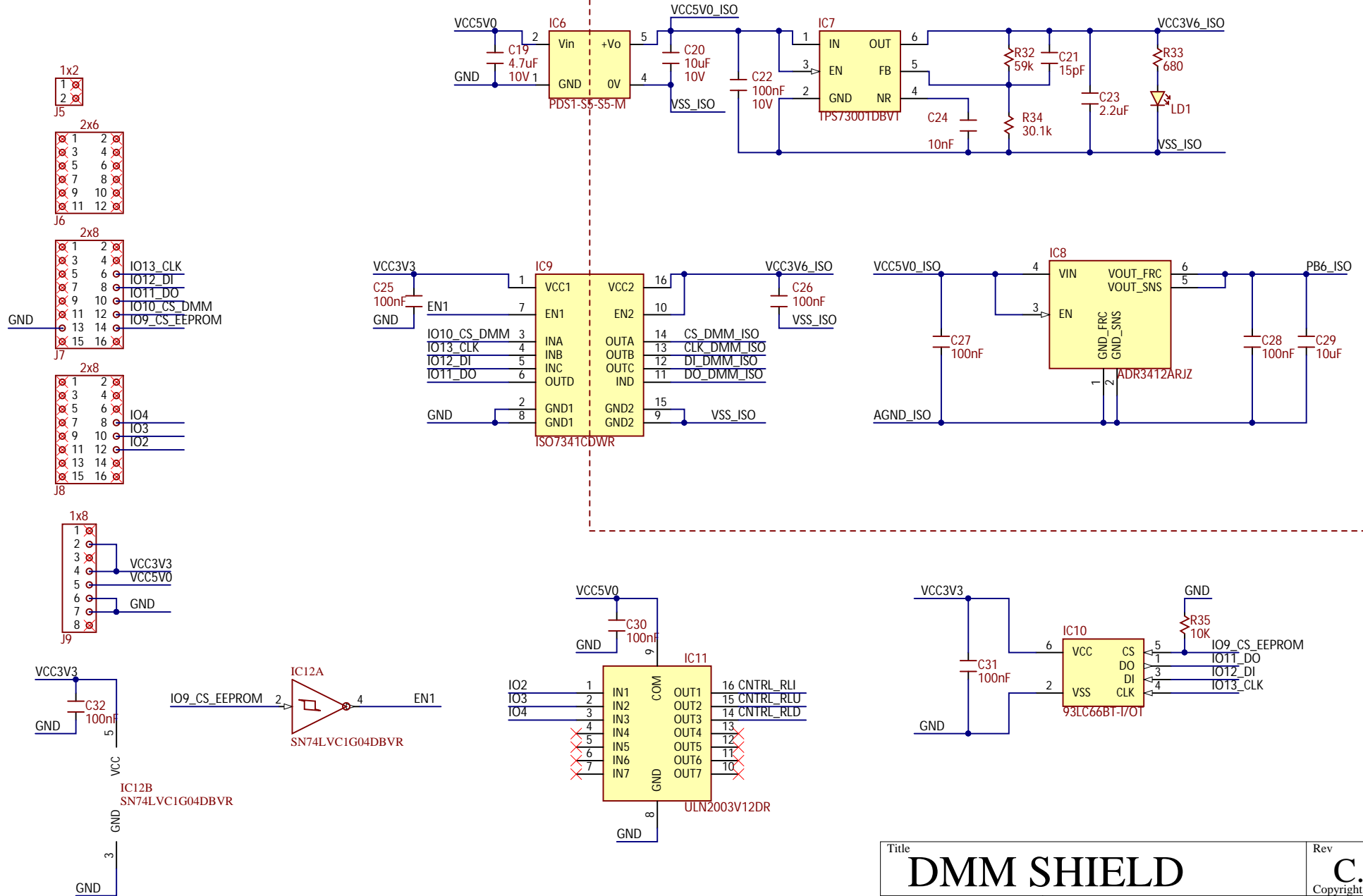


Title		Rev
<b>DMM SHIELD</b>		<b>C.1</b>
Circuit		Copyright 2017
DMM Circuit		
Doc#	500-356	
Engineer	BPE	
Author	BPE	
Date	12/21/2017	
Sheet#	1 out of 2	



Non-Isolated side

Isolated side



Title		Rev
<b>DMM SHIELD</b>		<b>C.1</b>
Circuit Digital Interface, Power Supply, Reference		Copyright 2017
Doc#	500-356	
Engineer	BPE	
Author	BPE	
Date	12/21/2017	
Sheet#	2 out of 2	



**DIGILENT**  
A National Instruments Company