

chipKIT™ Basic IO

Engineer: NEA

SHEET: Connectors

Author: GMA

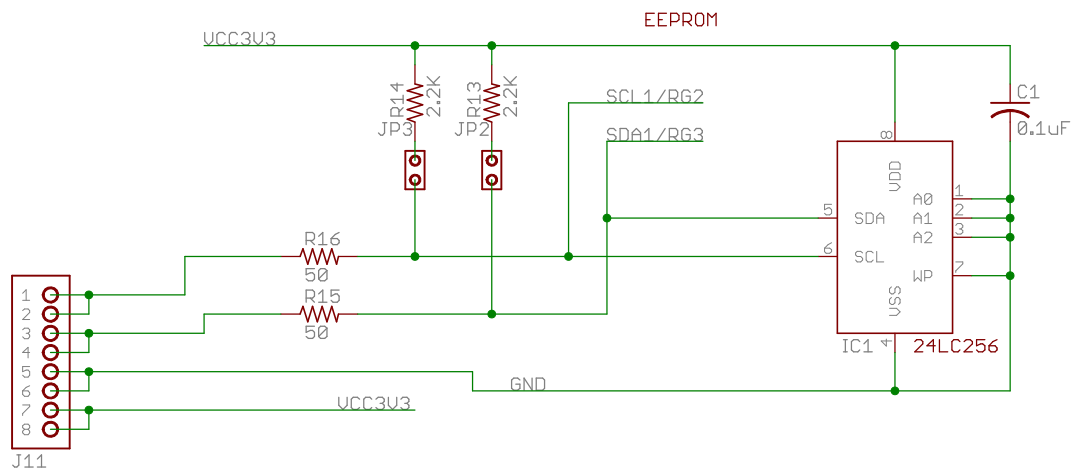
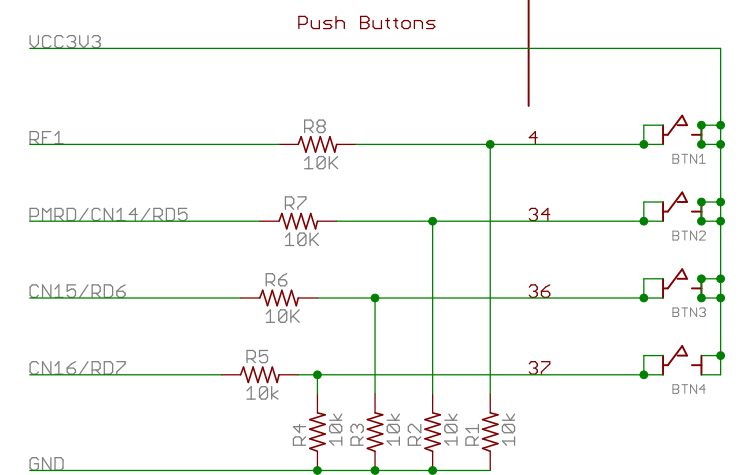
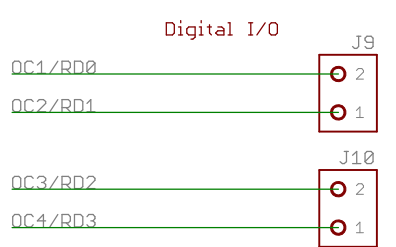
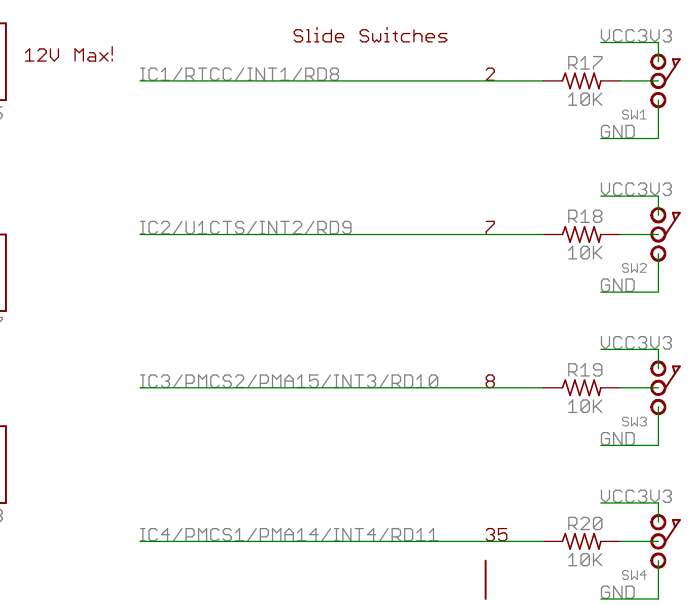
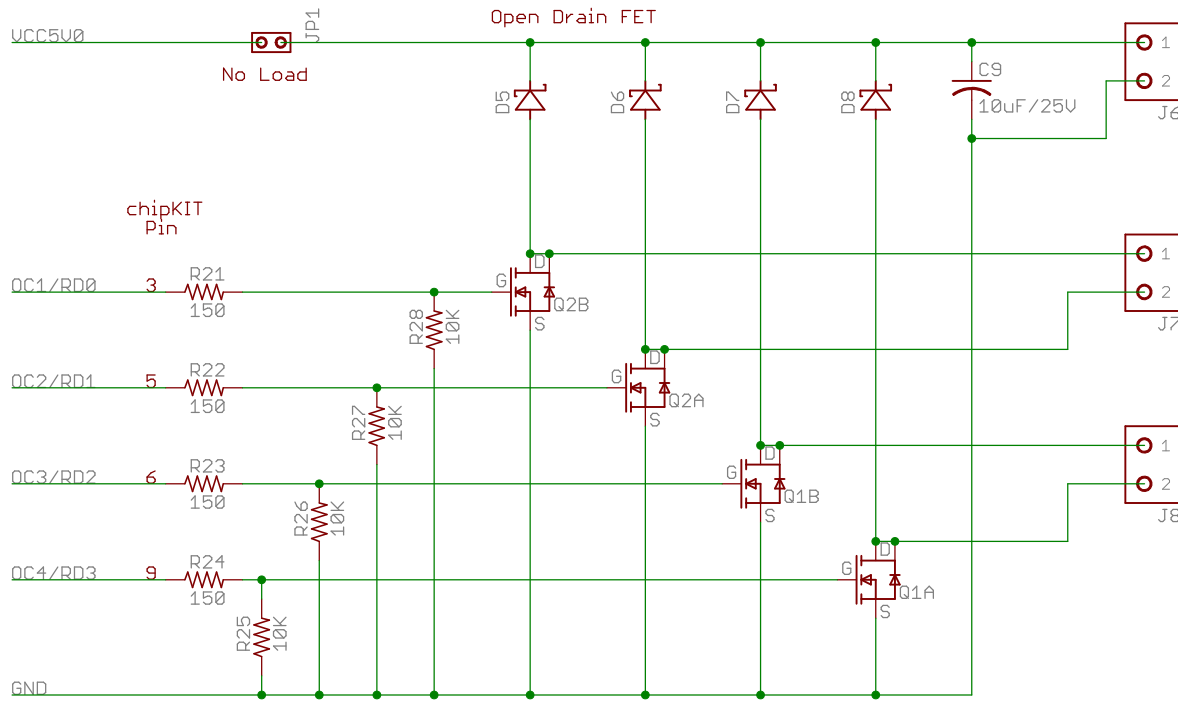
TITLE: chipKIT Basic IO

Rev: C.0

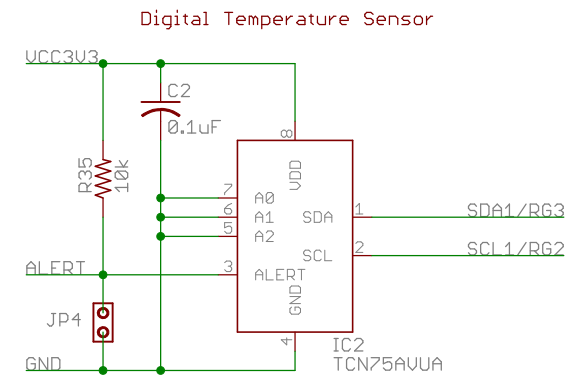
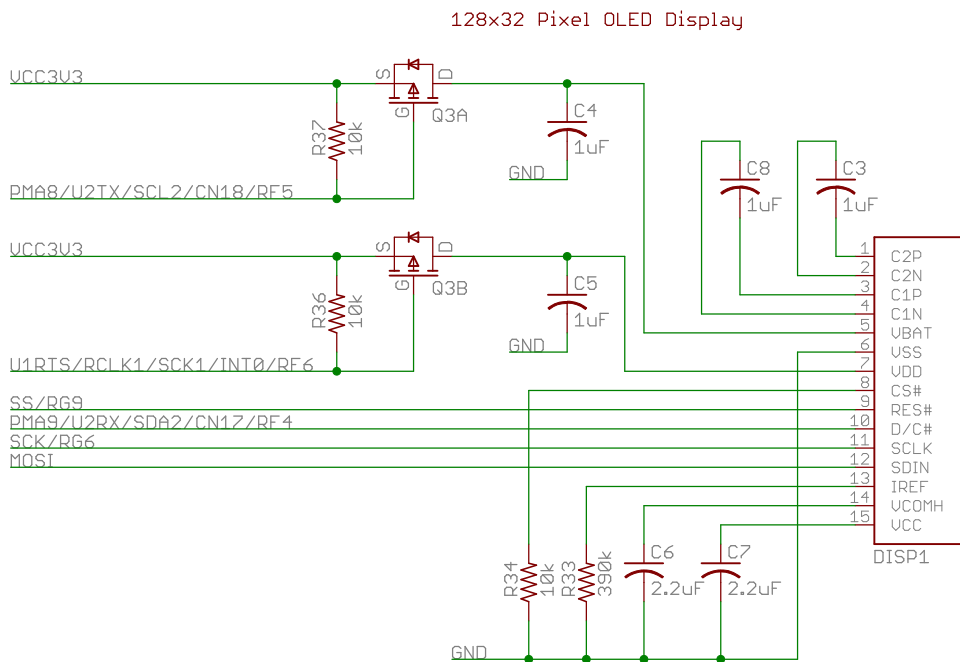
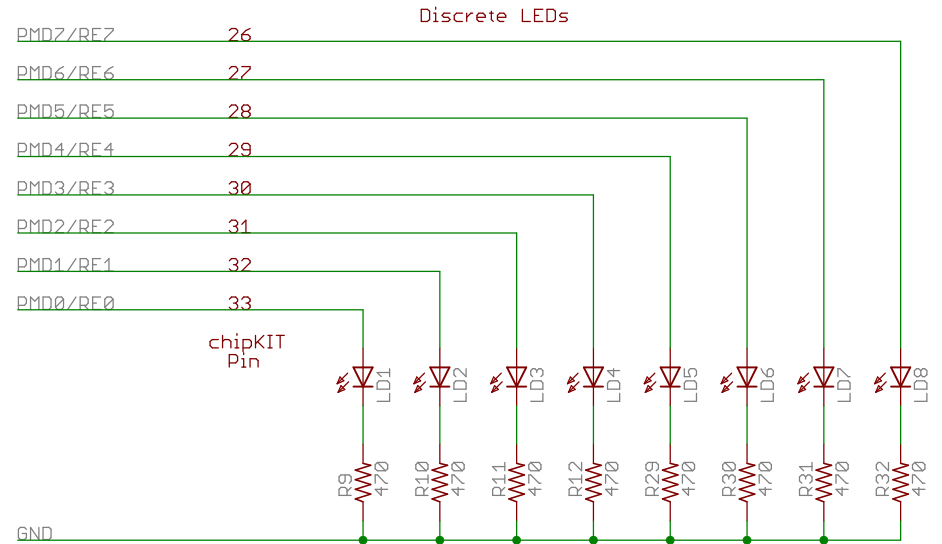
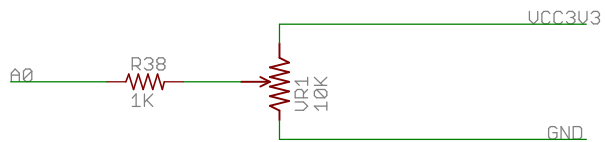
Doc#: 500-216

Date: 07/01/2011

Sheet: 1/3



<h1>chipKIT™ Basic IO</h1>		Engineer: NEA
SHEET: Discrete I/O, EEPROM		Author: GMA
TITLE: chipKIT Basic IO		Rev: C.0
Doc#: 500-216	Date: 07/01/2011	Sheet: 2/3



chipKIT™ Basic IO		Engineer: NEA
SHEET: Discrete LEDs, OLED Disp, Temp Sensor		Author: GMA
TITLE: chipKIT Basic IO		Rev: C.0
Doc#: 500-216	Date: 07/01/2011	Sheet: 3/3