

## Overview

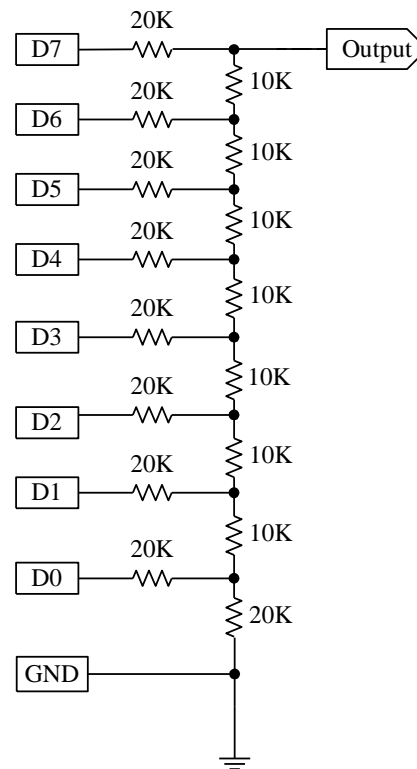
The Digilab R2R board provides an R-2R resistor divider network that can convert an 8-bit digital input signal to an analog value. The board uses 20K and 10K resistors, so very little current is drawn from input source pins. Separate GND and analog signal-out connections are provided. The output analog signal is also connected to a large diameter metalized hole for easy oscilloscope connections.

DR2R features include:

- 8-bit digital to analog conversion at up to 25MHz +;
- Easy attachment of oscilloscopes to illustrate the data conversion process;
- Inexpensive and rugged construction.

## Functional Description

The R2R board provides digital-to-analog conversion using a circuit that has been a staple in engineering design for decades. The board provides an easy way to gain insight and experience with R2R circuits.



## Signals and Connector Pinouts

All data signals, GND, and analog signal-out are labeled on the R2R board.