

PmodNIC™ Reference Manual

Revision: November 20, 2009

Note: This document applies to REV B of the board.



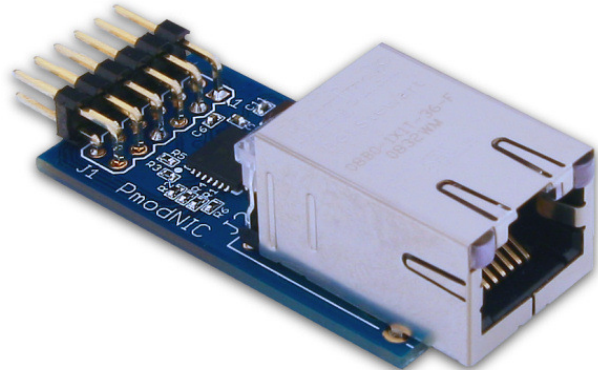
215 E Main Suite D | Pullman, WA 99163
(509) 334 6306 Voice and Fax

Overview

The PmodNIC is an interface board for the Microchip® ENC28J60 Stand-Alone Ethernet Controller. The ENC28J60 provides integrated MAC and PHY support, so the PmodNIC can add Ethernet functionality to any Digilent system board.

Features include:

- standard SPI interface
- 10Mb/s data rates
- IEEE 802.3 compatible Ethernet controller
- MAC support
- 10BASE-T PHY support



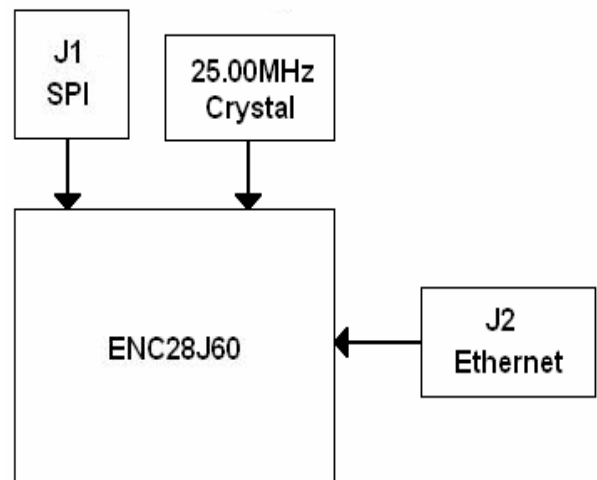
Functional Description

The primary communications interface with the PmodNIC is an SPI bus. The PmodNIC communicates in SPI mode 0 only, MSB first. An RST pin provides the host with an active low, asynchronous hardware reset for the PmodNIC. The PmodNIC also provides an active low interrupt indicator pin (INT), allowing a host to detect multiple interrupt conditions on the PmodNIC.

For more information about the hardware connections, see the PmodNIC schematic at www.digilentinc.com.

The PmodNIC provides only the hardware for a network interface. Protocol stack software (such as TCP/IP) must be provided by the user.

For more information about the ENC28J60 Ethernet Controller, see the data sheet at www.microchip.com.



PmodNIC Block Diagram

Connector J1 – SPI Communications		
Pin	Signal	Description
1	SS	Slave Select
2	MOSI	Master out/Slave in Data
3	MISO	Master in/Slave out Data
4	SCK	Serial Clock
5	GND	Power Supply Ground
6	VCC	Power Supply (3.3V)
7	NC	Not Connected
8	NC	Not Connected
9	RST	Hardware Reset
10	INT	Interrupt Output
11	GND	Power Supply Ground
12	VCC	Power Supply (3.3V)
Connector J2 - Ethernet Interface		

Interface Connector Signal Description