

Digilent PmodCON2™ Module Board

Revision: 3/9/05



www.digilentinc.com

215 E Main Suite D | Pullman, WA 99163
(509) 334 6306 Voice and Fax

Features

- a 6-pin header
- two BNC jacks
- two jumper shorting block systems
- small form factor (2.06" x 1.44")

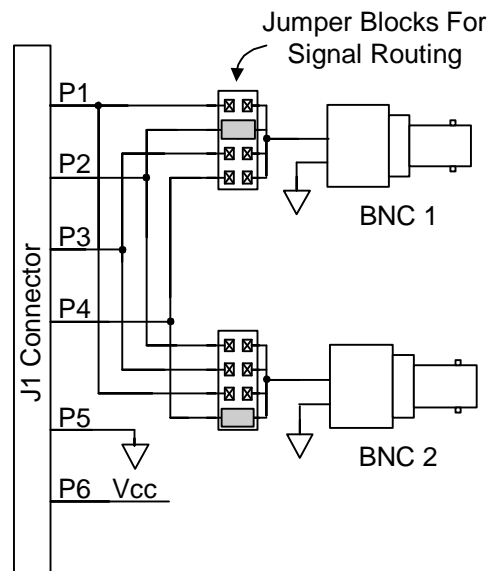
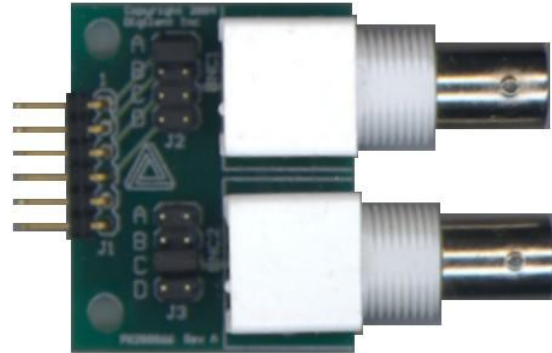
Functional Description

The Digilent PmodCON2 Module Board (the CON2™) makes it easy to connect a Digilent system board to outside devices with BNC plugs. It is ideal for testing a Digilent system board with equipment that uses BNC connections.

The CON2 conveys signals between a 6-pin header and two BNC jacks. It uses jumpers to specify which of the 6-pin connector pins correspond to each BNC jack.

The CON2 has a 6-pin header for easy connection to a Digilent system board. For example, some system boards like the Digilent Pegasus board have a 6-pin header that can connect to the CON2 with a 6-pin cable. To connect the CON2 to other Digilent system boards, a Digilent Modular Interface Board (MIB) and a 6-pin cable are needed. The MIB plugs into the system board, and the cable connects the MIB to the CON2.

For more information see the reference manual at www.digilentinc.com.



CON2 Circuit Diagram