

# Digilent PmodCON2™ Module Board Reference Manual

Revision: 04/12/05



www.digilentinc.com

215 E Main Suite D | Pullman, WA 99163  
(509) 334 6306 Voice and Fax

## Overview

The Digilent PmodCON2 Module Board (the CON2™) makes it easy to connect a Digilent system board to outside devices with BNC plugs. It is ideal for testing a Digilent system board with equipment that uses BNC connections.

The CON2 conveys signals between a 6-pin header and two BNC jacks. It uses jumpers to specify which of the 6-pin connector pins correspond to each BNC jack.

Features include:

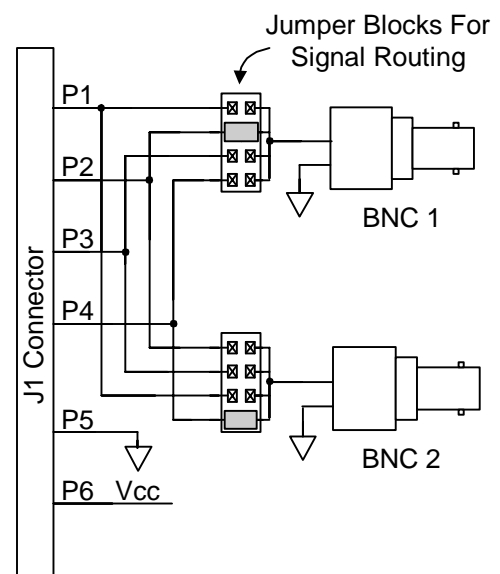
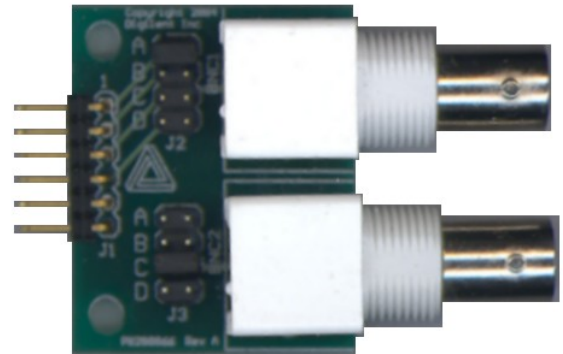
- a 6-pin header
- two BNC jacks
- two jumper shorting block systems
- small form factor (2.06" x 1.44").

## Functional Description

Each BNC connector on the CON2 has four clearly-labeled jumper pins that correspond to the four available pins on the 6-pin header. When the shorting block is placed on a jumper pin, the related pin in the 6-pin header then corresponds to the BNC jack.

The CON2 has a 6-pin header for easy connection to a Digilent system board. Some system boards, like the Digilent Pegasus board, have a 6-pin header that can connect to the CON2 with a 6-pin cable. To connect the CON2 to other Digilent system boards, a Digilent Modular Interface Board (MIB) and a 6-pin cable may be needed. The MIB plugs into the system board, and the cable connects the MIB to the CON2.

For more information see, [www.digilentinc.com](http://www.digilentinc.com).



**CON2 Circuit Diagram**