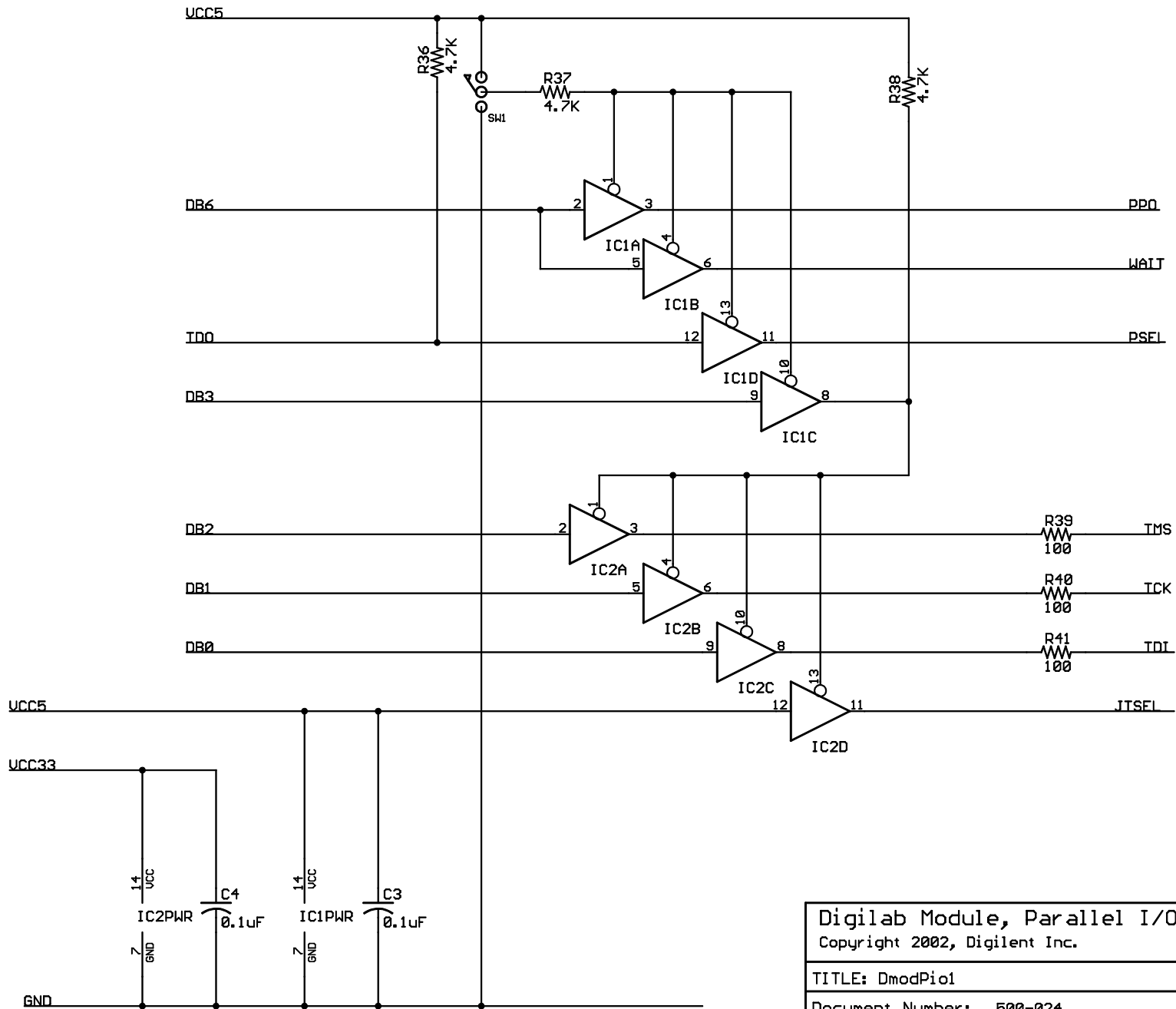


Digilab Module, Parallel I/O 1	
Copyright 2002, Digilent Inc.	
TITLE: DmodPio1	Author: NEA
Document Number: 500-024	Rev: B
Release Date: 04/03/2003	Sheet: 1/2



Digilab Module, Parallel I/O 1	
Copyright 2002, Digilent Inc.	
TITLE: DmodPio1	Author: NEA
Document Number: 500-024	Rev: B
Release Date: 04/03/2003	Sheet: 2/2