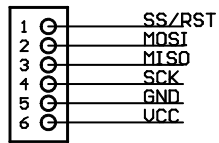
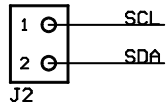
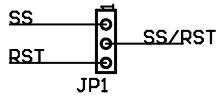


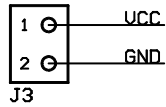
6-pin Header



J1

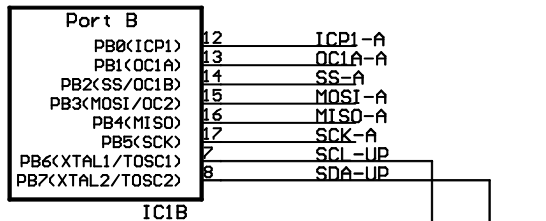


J2

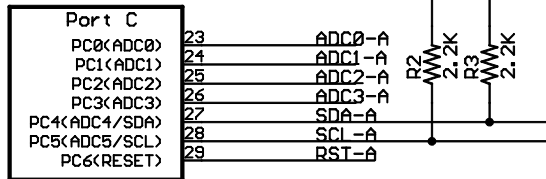


J3

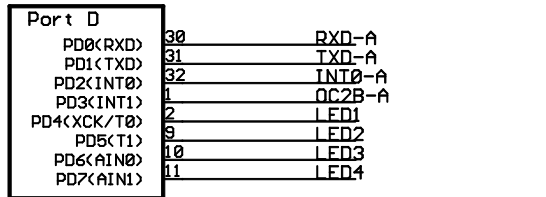
ATMEGA168



IC1B

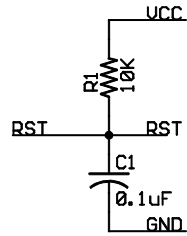


IC1C

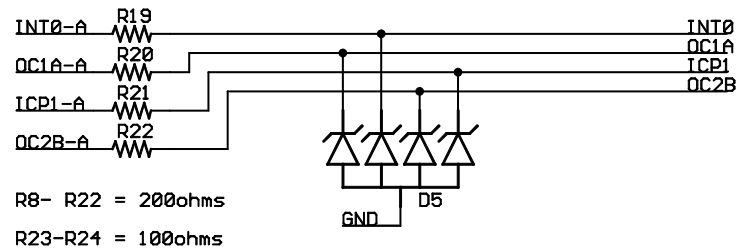
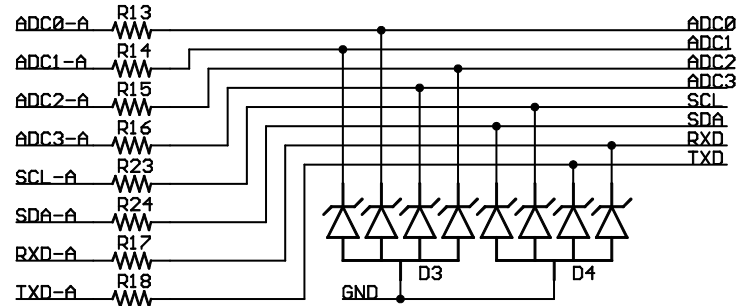
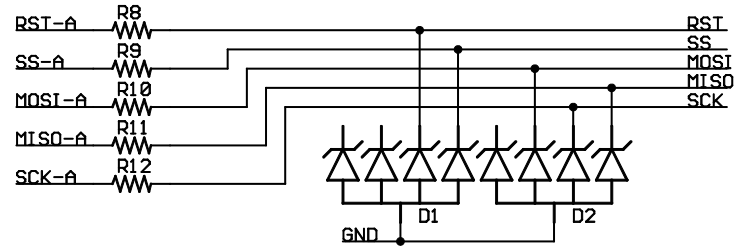


IC1D

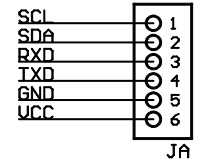
Reset Network



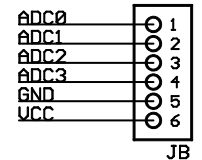
ESD Protection Network



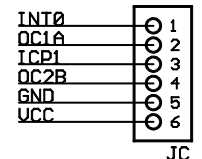
TWI and RS232



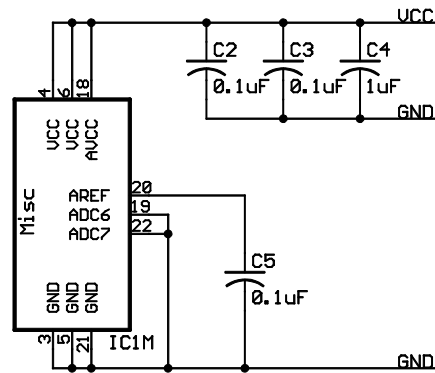
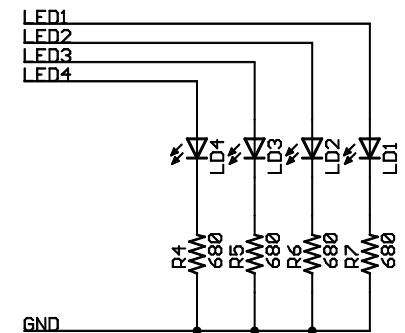
I/O Connector



I/O Connector



Status LEDs



Digilent Nanocon

Copyright 2005, Digilent Inc.

Engineer: NEA

SHEET: 1

Author: GMA

TITLE: Nanocon

Rev: B.1

Doc#: 500-095

Date: 11/14/05

Sheet:1/1