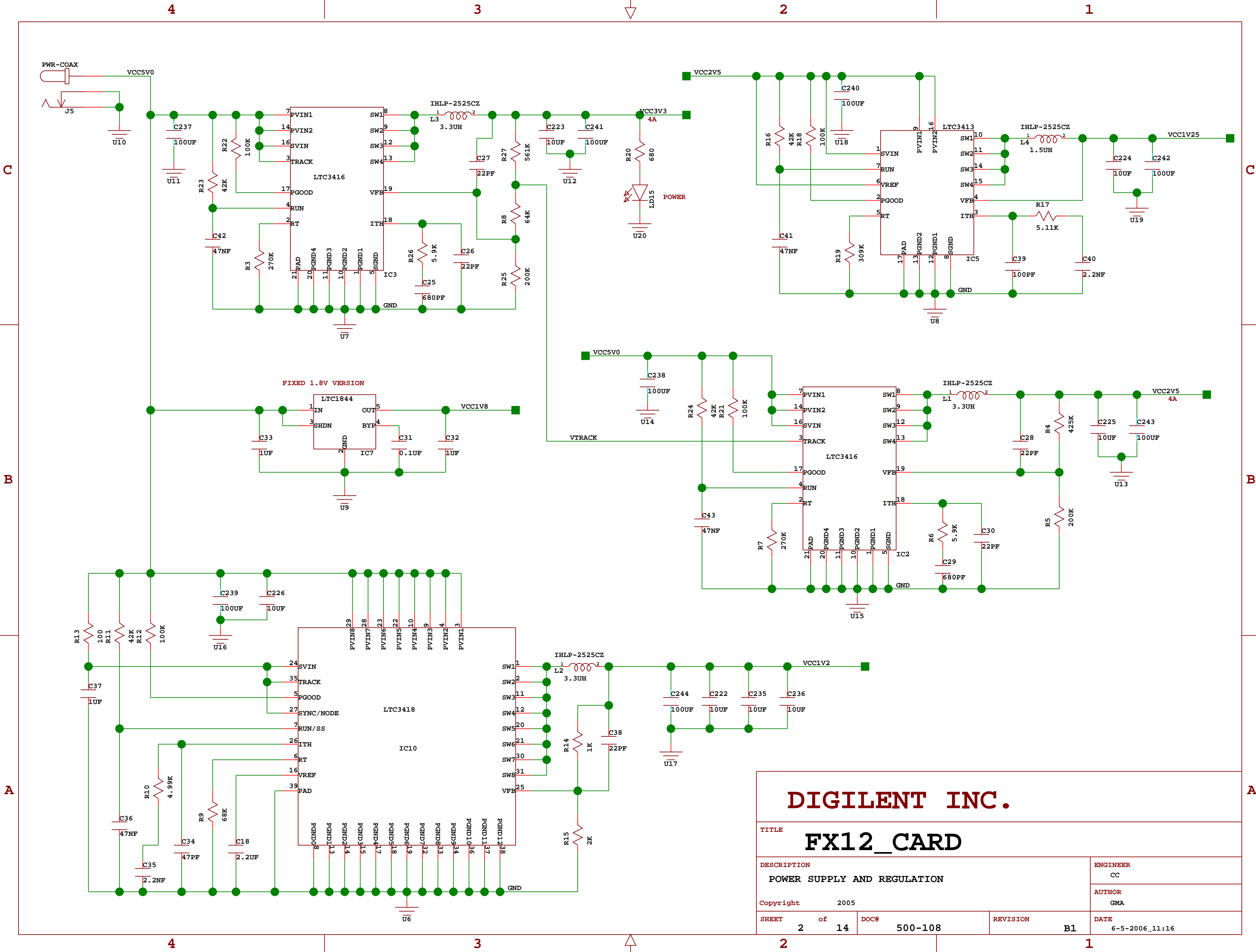


DIGILENT INC.

TITLE FX12_CARD

DESCRIPTION IO CONNECTORS		ENGINEER CC
Copyright 2005	AUTHOR GMA	
SHEET 1 of 14	DOC# 500-108	REVISION B1
DATE 6-5-2006_11:16		

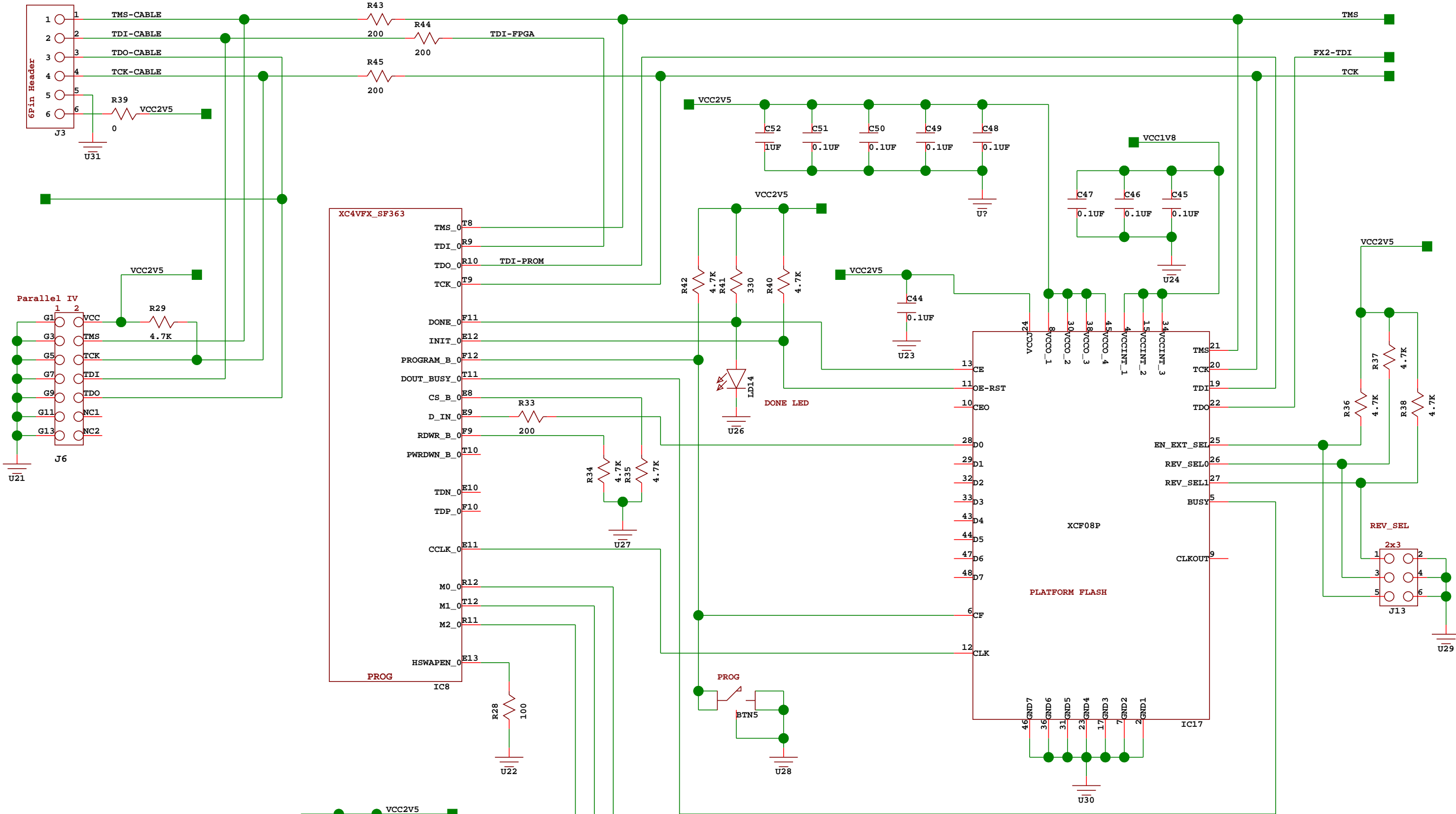


DIGILENT INC.

FX12_CARD

DESCRIPTION		ENGINEER	
POWER SUPPLY AND REGULATION		CC	
Copyright 2005		AUTHOR	
		GMA	
SHEET	of	DOC#	REVISION
2	14	500-108	B1
DATE			
6-5-2006_11:16			

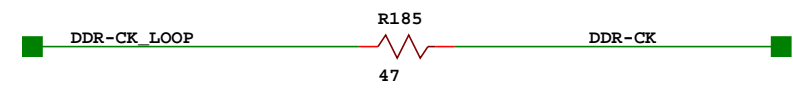
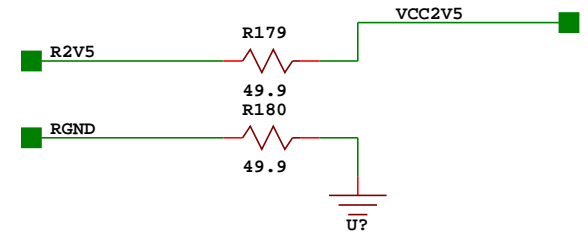
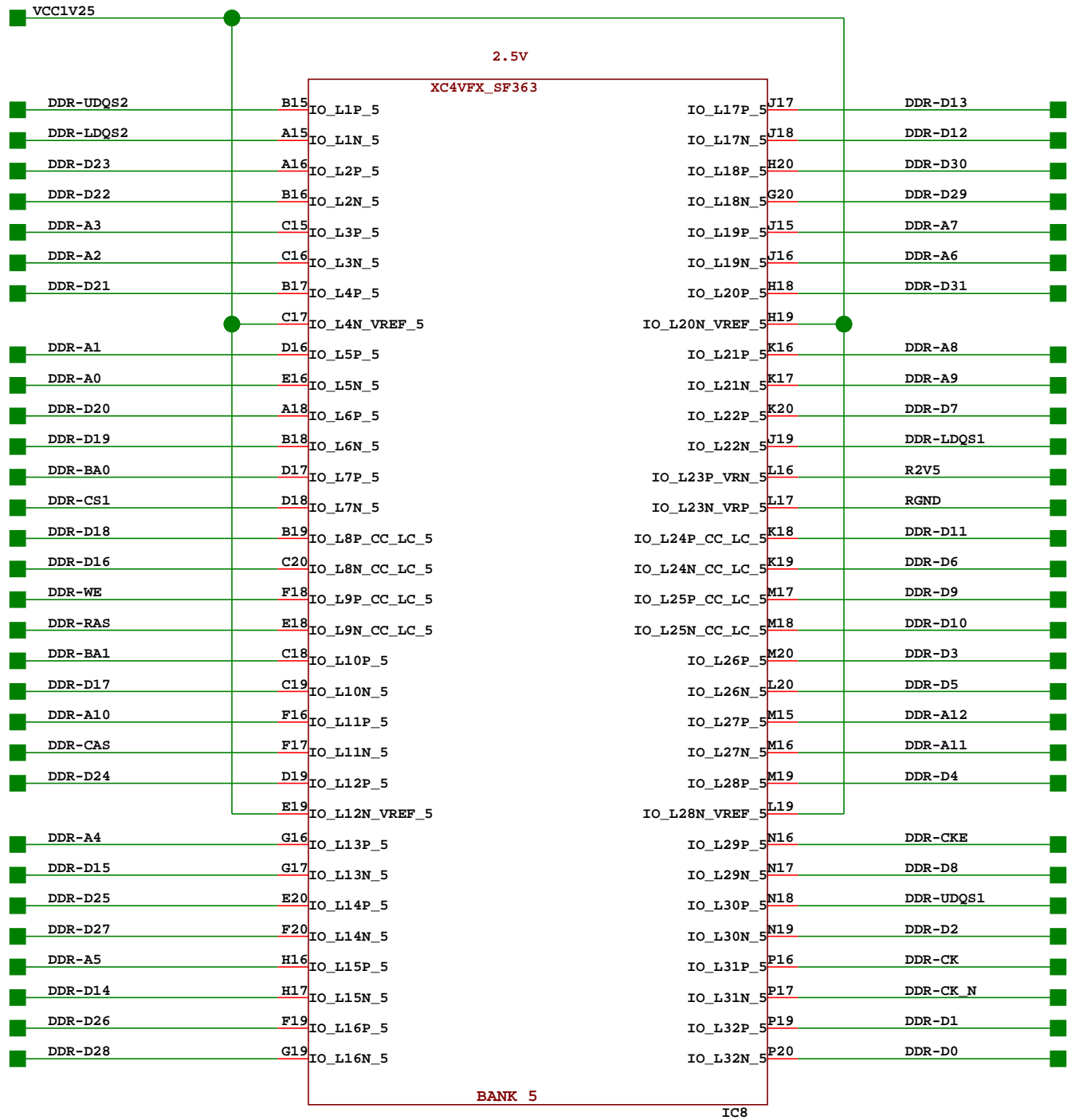
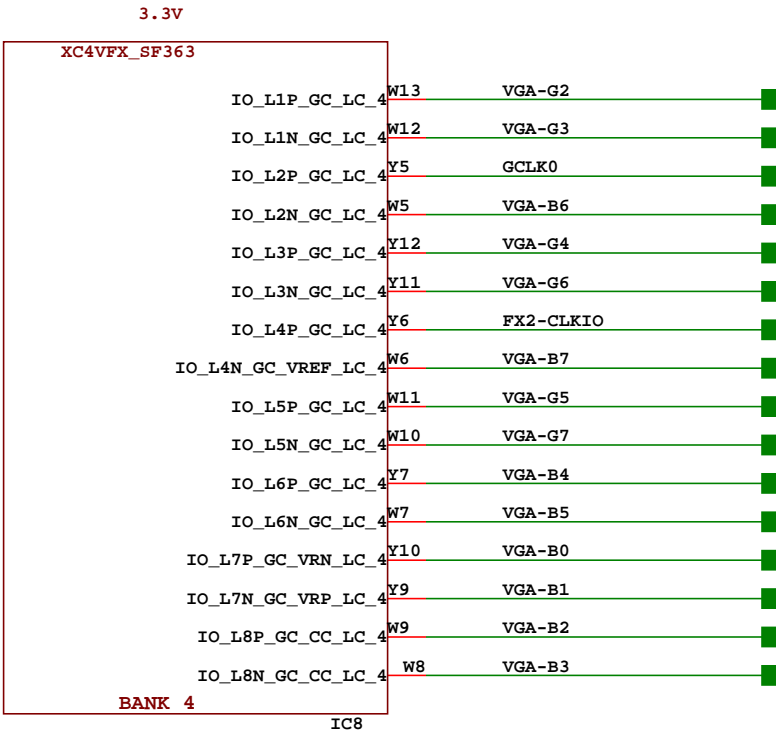
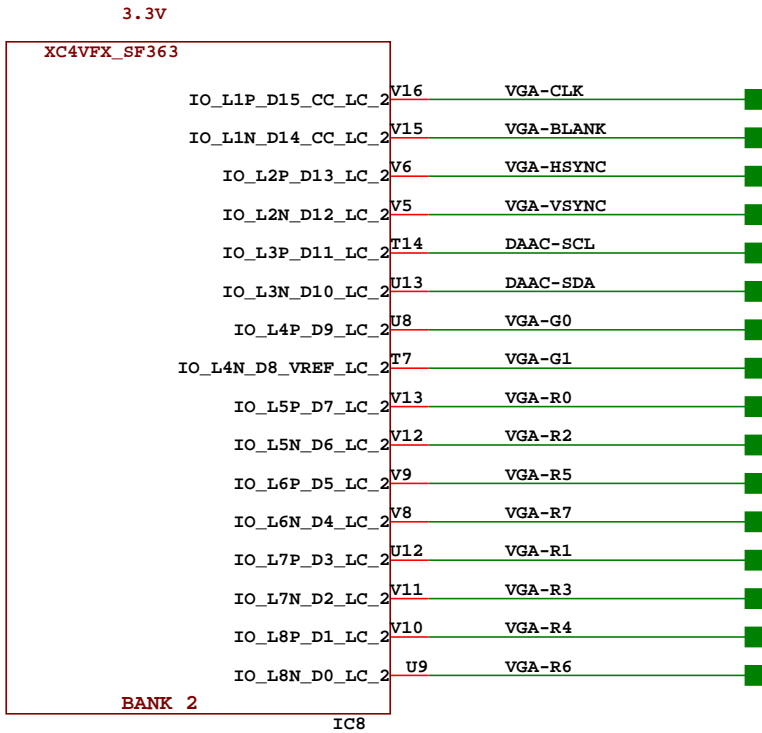
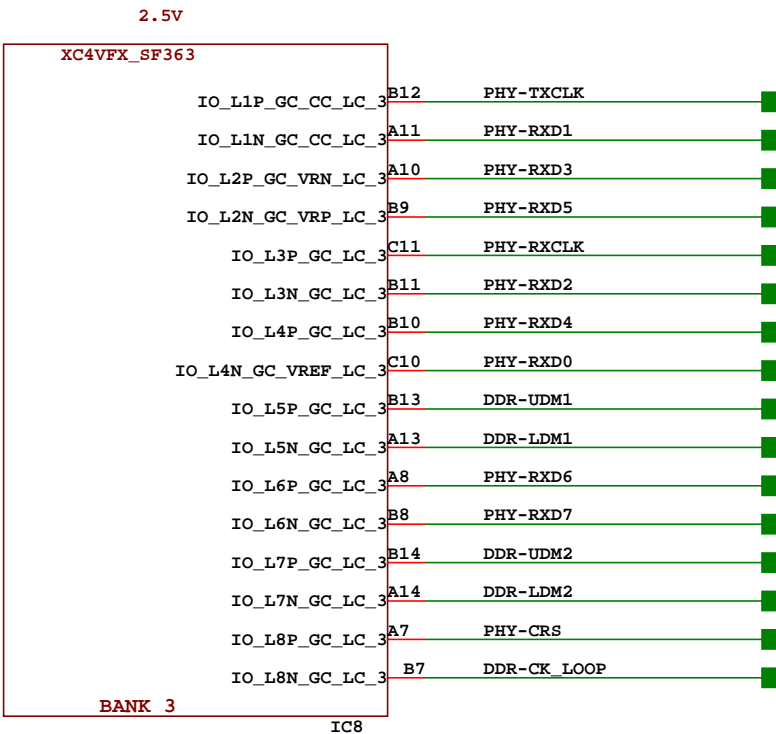
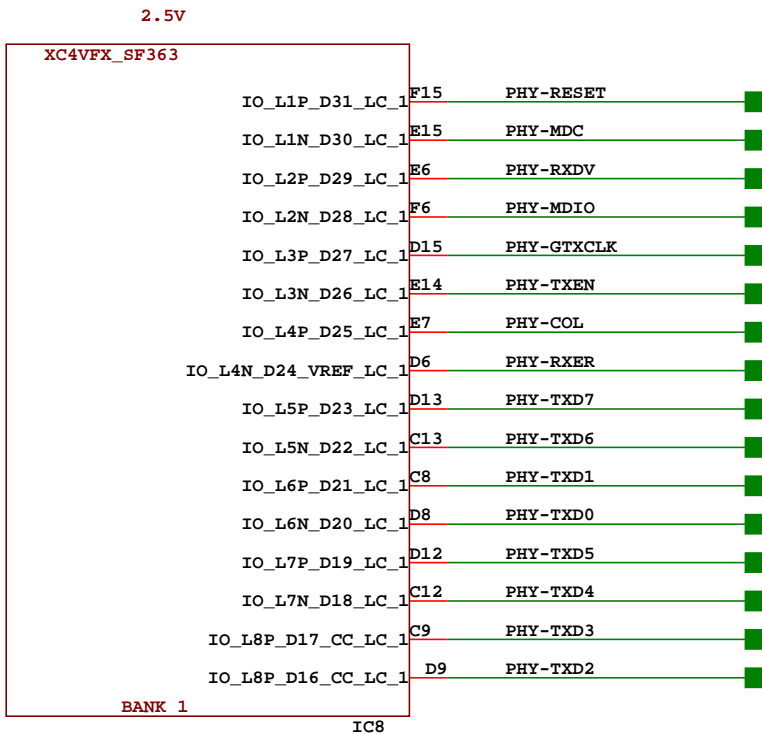
JTAG Connectors



DIGILENT INC.

FX12_CARD

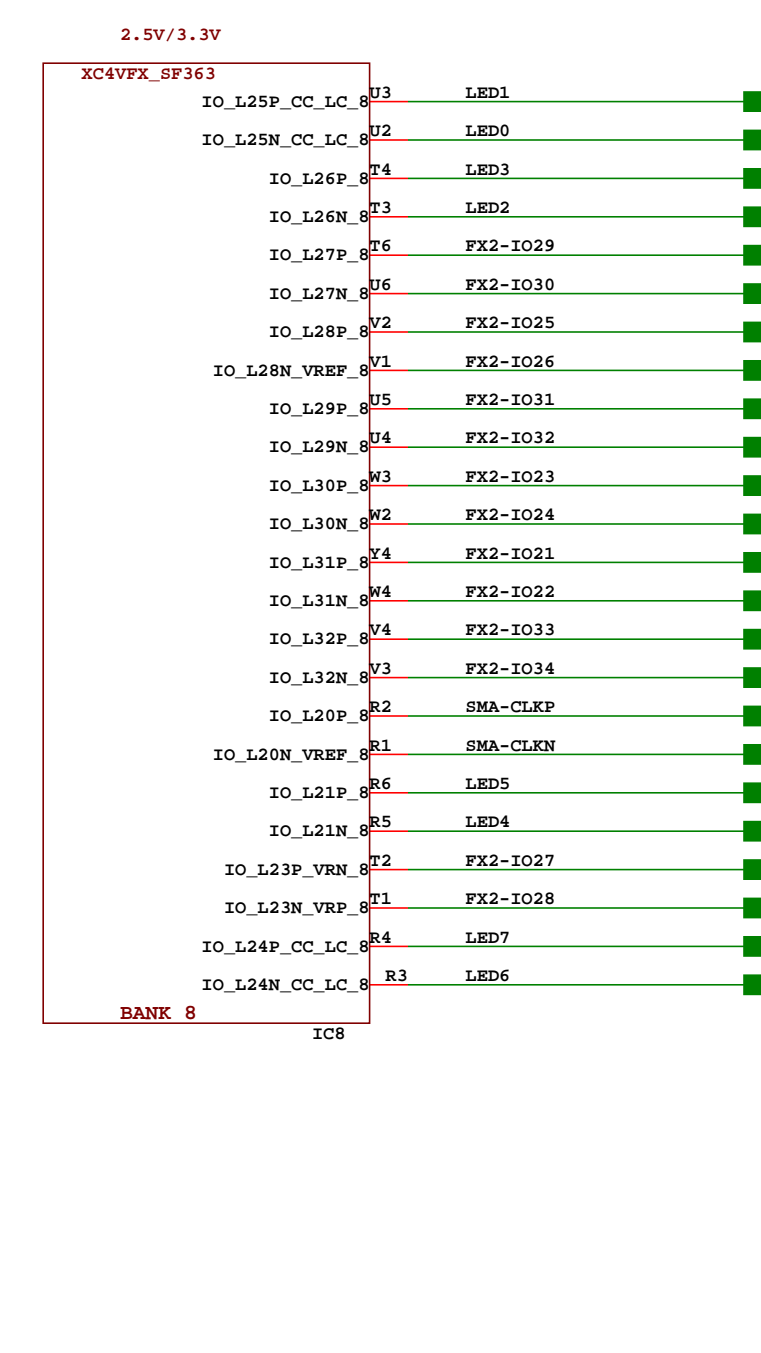
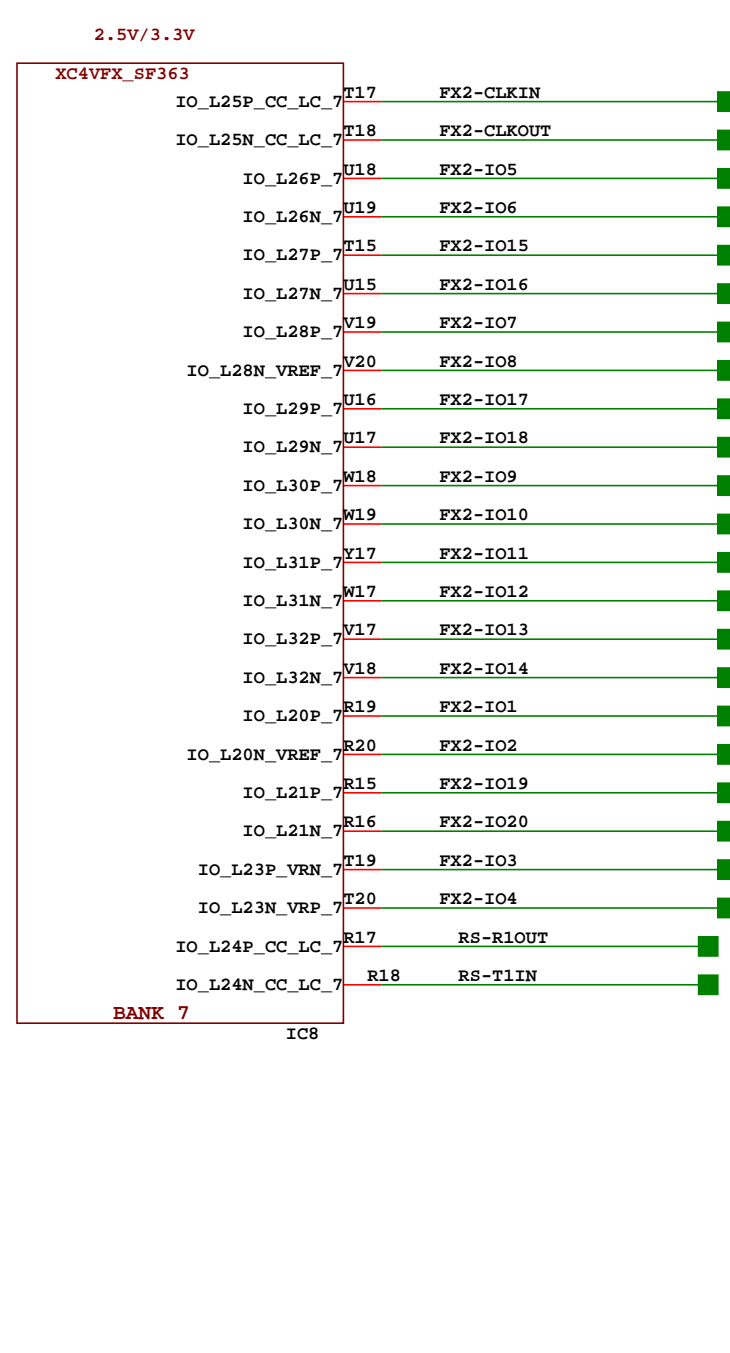
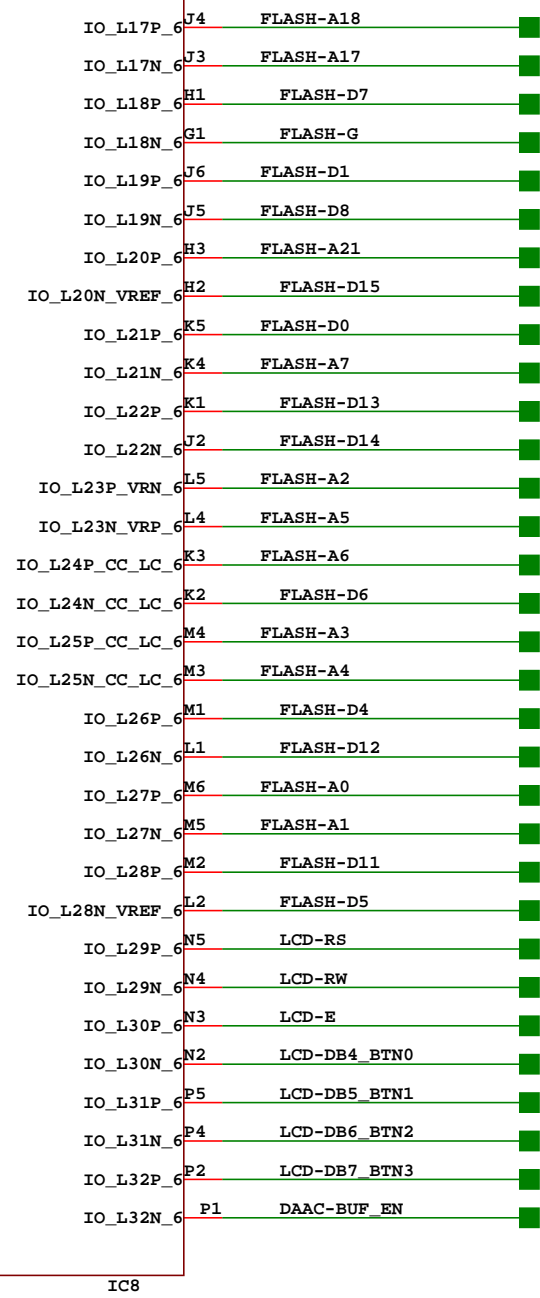
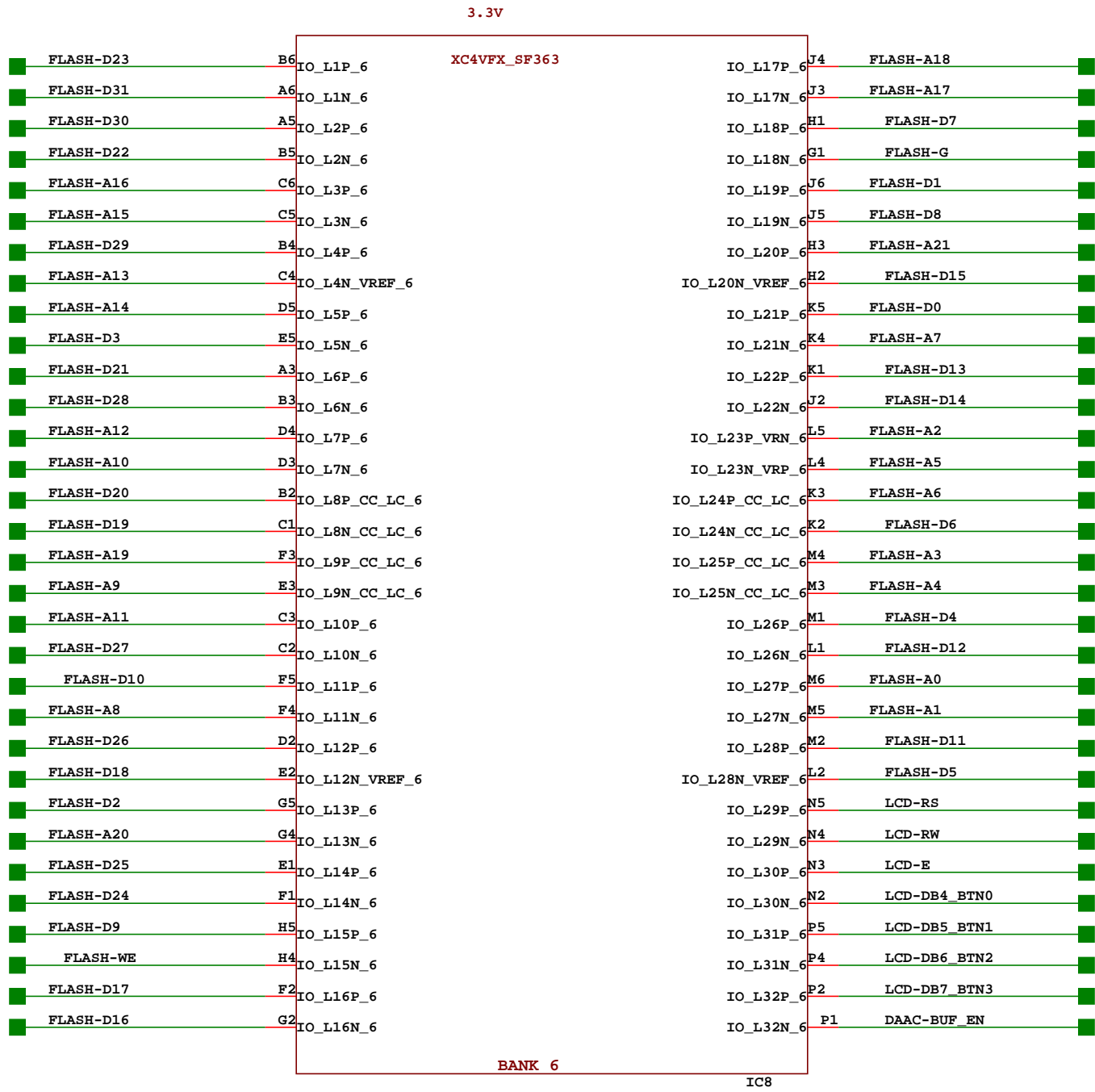
DESCRIPTION		ENGINEER	
FPGA PROGRAMING AND CLOCK		CC	
Copyright 2005		AUTHOR	
		GMA	
SHEET	of	DOC#	REVISION
3	14	500-108	B1
DATE			6-5-2006_11:16



DIGILENT INC.

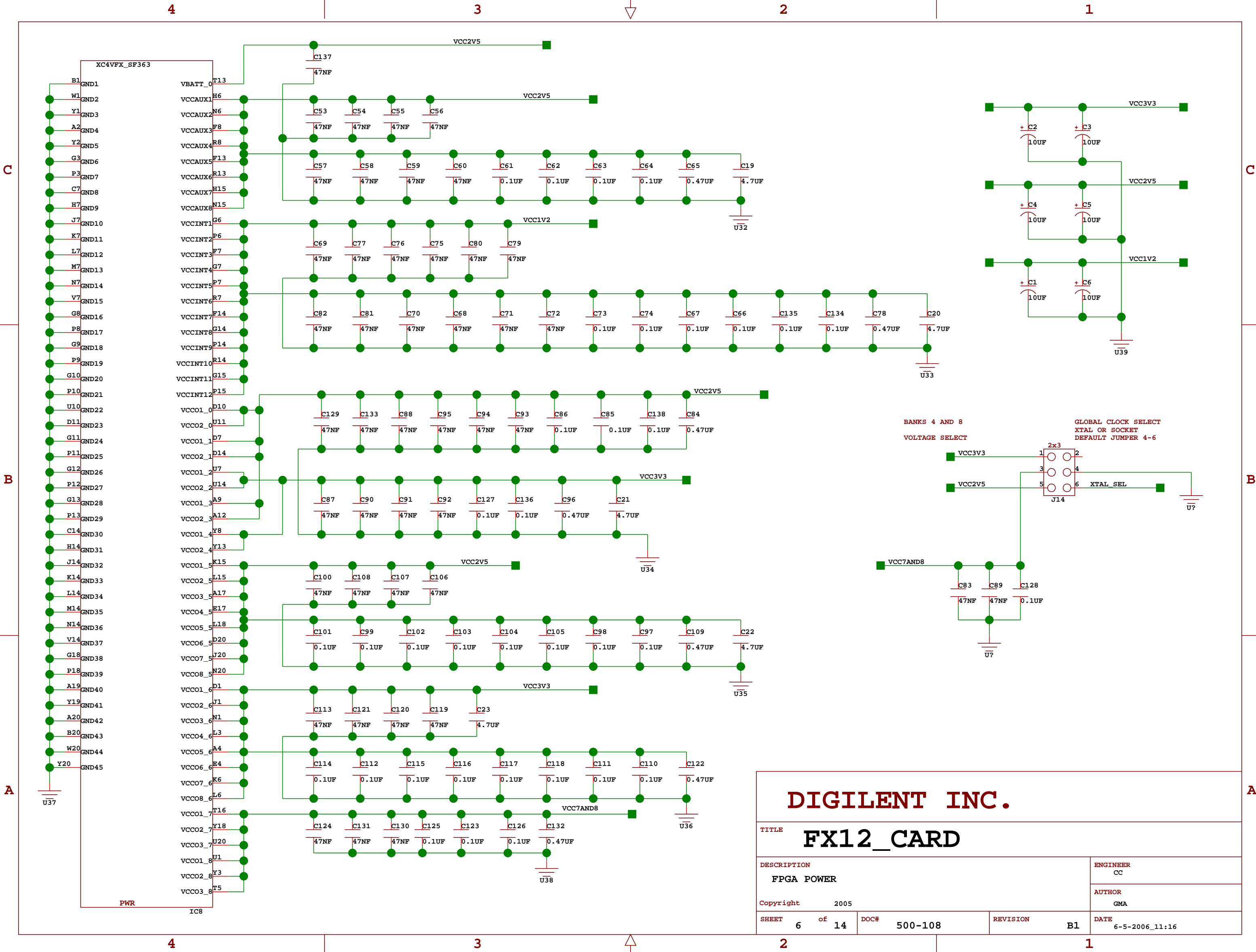
FX12_CARD

DESCRIPTION		ENGINEER	
FPGA BANKS 1-5		CC	
Copyright 2005		AUTHOR	
		GMA	
SHEET	of	DOC#	REVISION
4	14	500-108	B1
DATE			
6-5-2006_11:16			



DIGILENT INC.

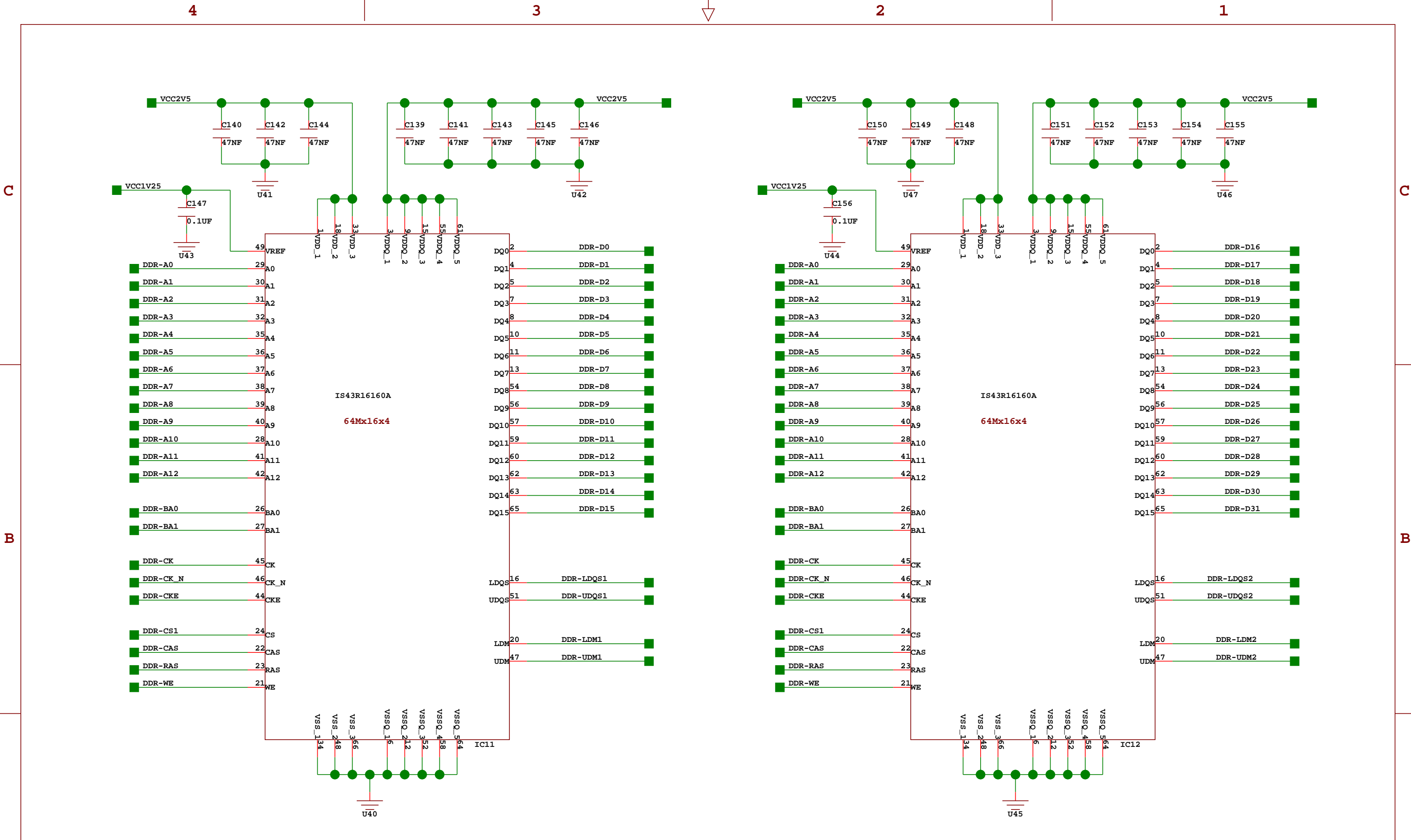
TITLE				FX12_CARD					
DESCRIPTION			ENGINEER						
FPGA BANKS 6-8			CC						
Copyright 2005			AUTHOR						
			GMA						
SHEET	5	of	14	DOC#	500-108	REVISION	B1	DATE	6-5-2006_11:16



DIGILENT INC.

TITLE FX12_CARD

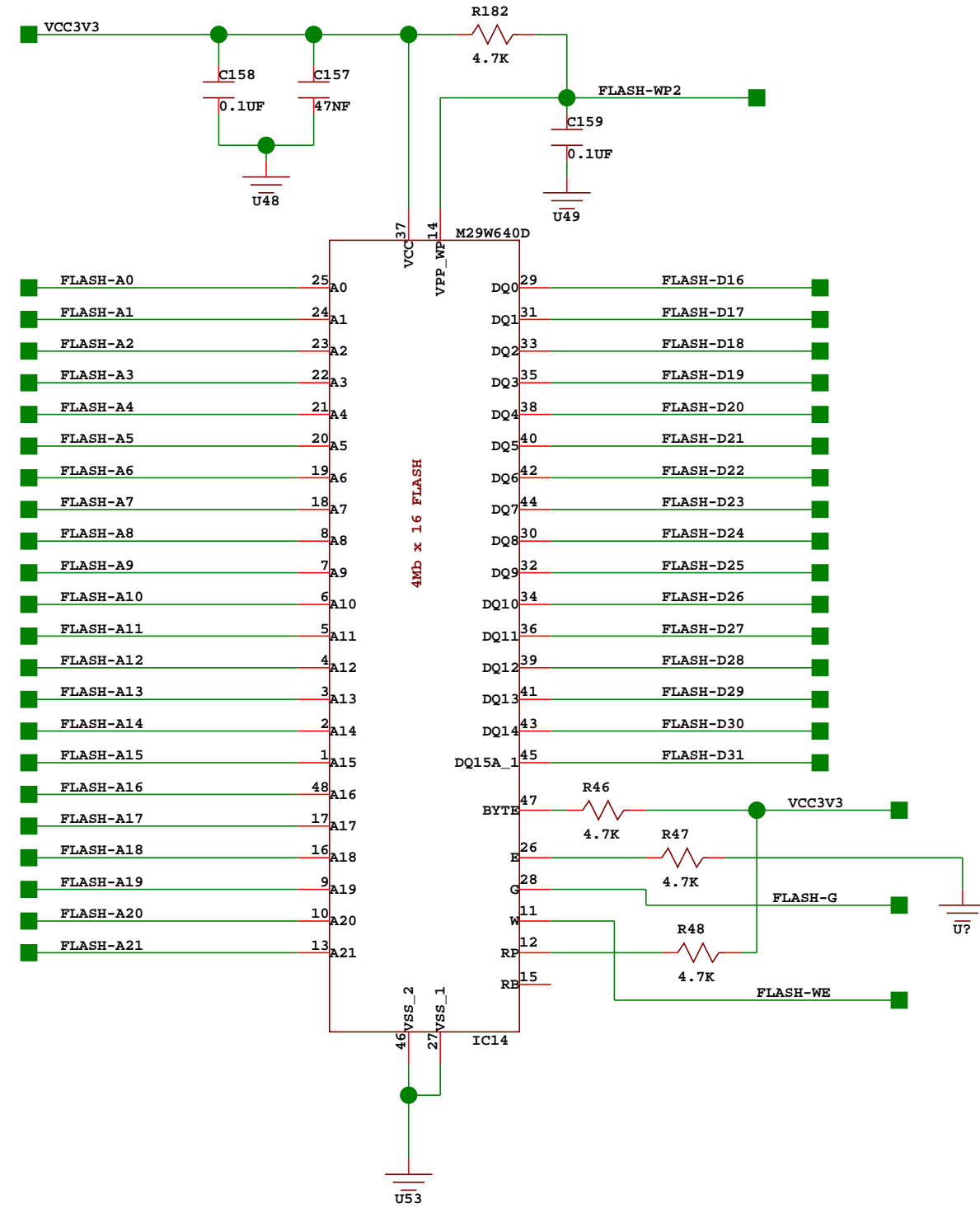
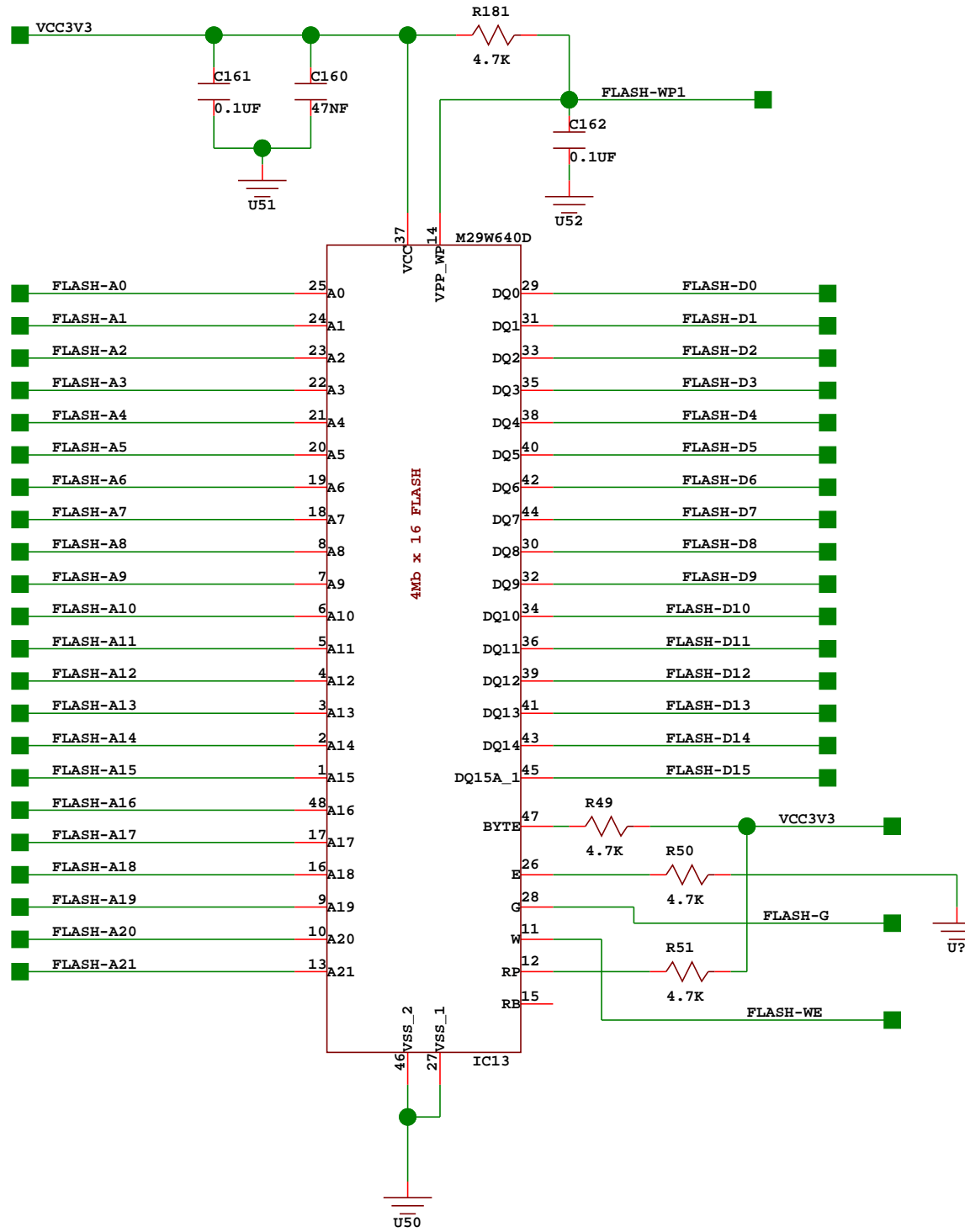
DESCRIPTION FPGA POWER		ENGINEER CC	
Copyright 2005		AUTHOR GMA	
SHEET 6 of 14	DOC# 500-108	REVISION B1	DATE 6-5-2006_11:16



DIGILENT INC.

FX12_CARD

DESCRIPTION DDR RAM		ENGINEER CC
Copyright 2005		AUTHOR GMA
SHEET 7	of 14	DATE 6-5-2006_11:16
DOC# 500-108	REVISION B1	

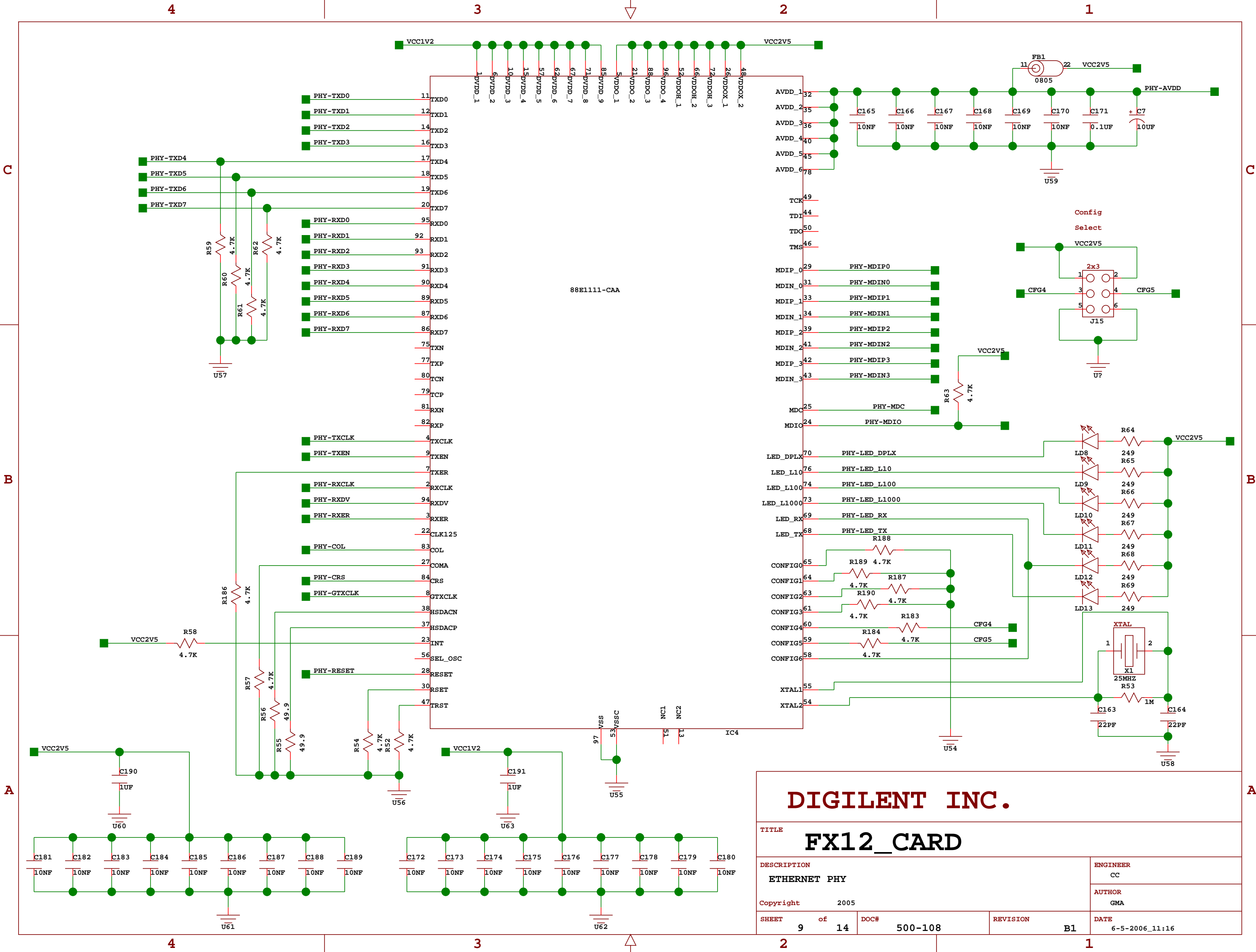


DIGILENT INC.

TITLE FX12_CARD

DESCRIPTION FLASH MEMORY		ENGINEER CC
Copyright 2005	AUTHOR GMA	
SHEET 8 of 14	DOC# 500-108	REVISION B1
DATE 6-5-2006_11:16		

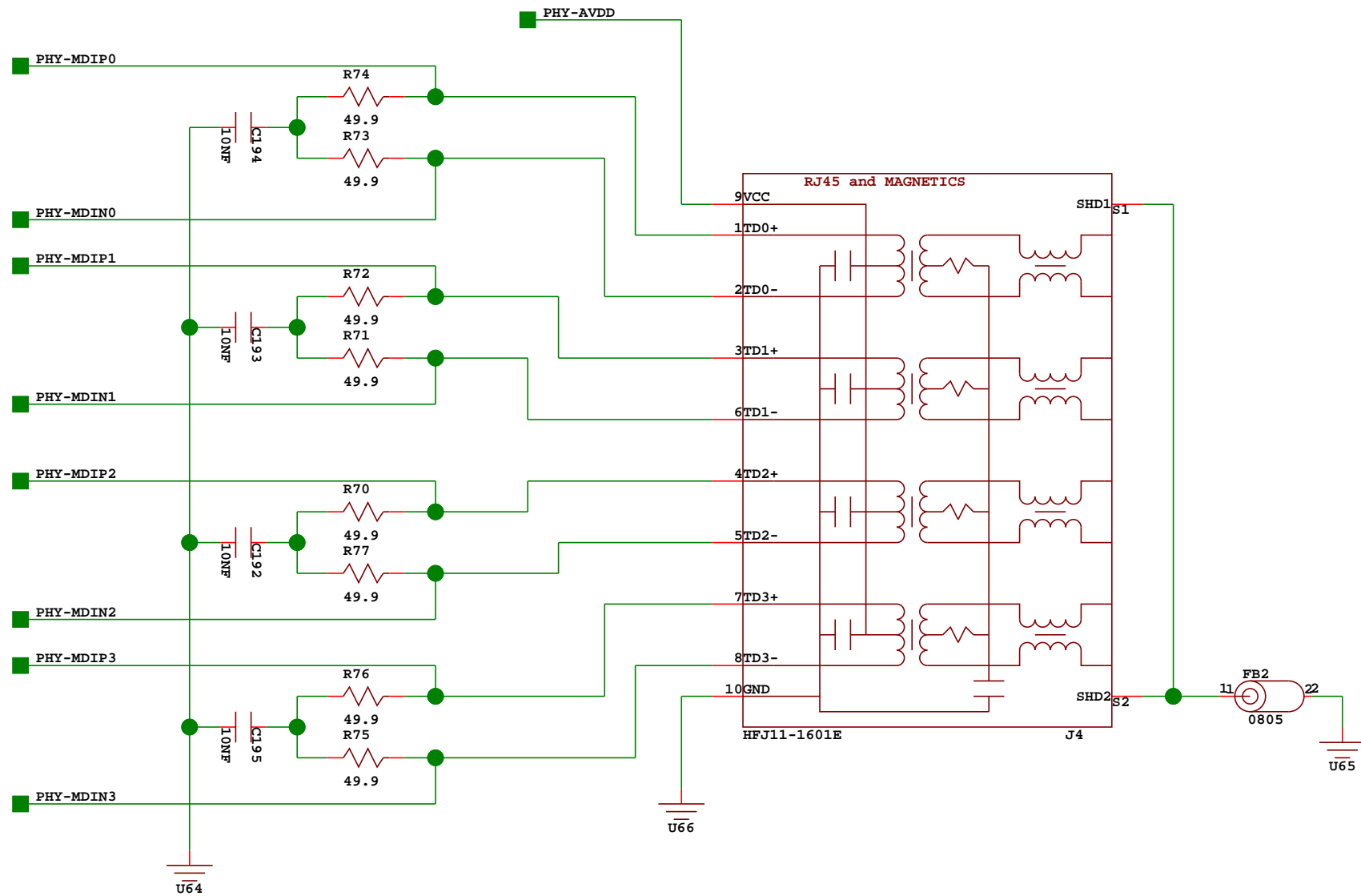
This page intentionally left blank
(Marvell "Alaska" 88E1111 proprietary information)



DIGILENT INC.

FX12_CARD

DESCRIPTION		ENGINEER	
ETHERNET PHY		CC	
Copyright 2005		AUTHOR	
		GMA	
SHEET	of	DOC#	REVISION
9	14	500-108	B1
DATE		DATE	
6-5-2006_11:16			



DIGILENT INC.

TITLE
FX12_CARD

DESCRIPTION
ETHERNET MAGNETICS

ENGINEER
CC

Copyright 2005

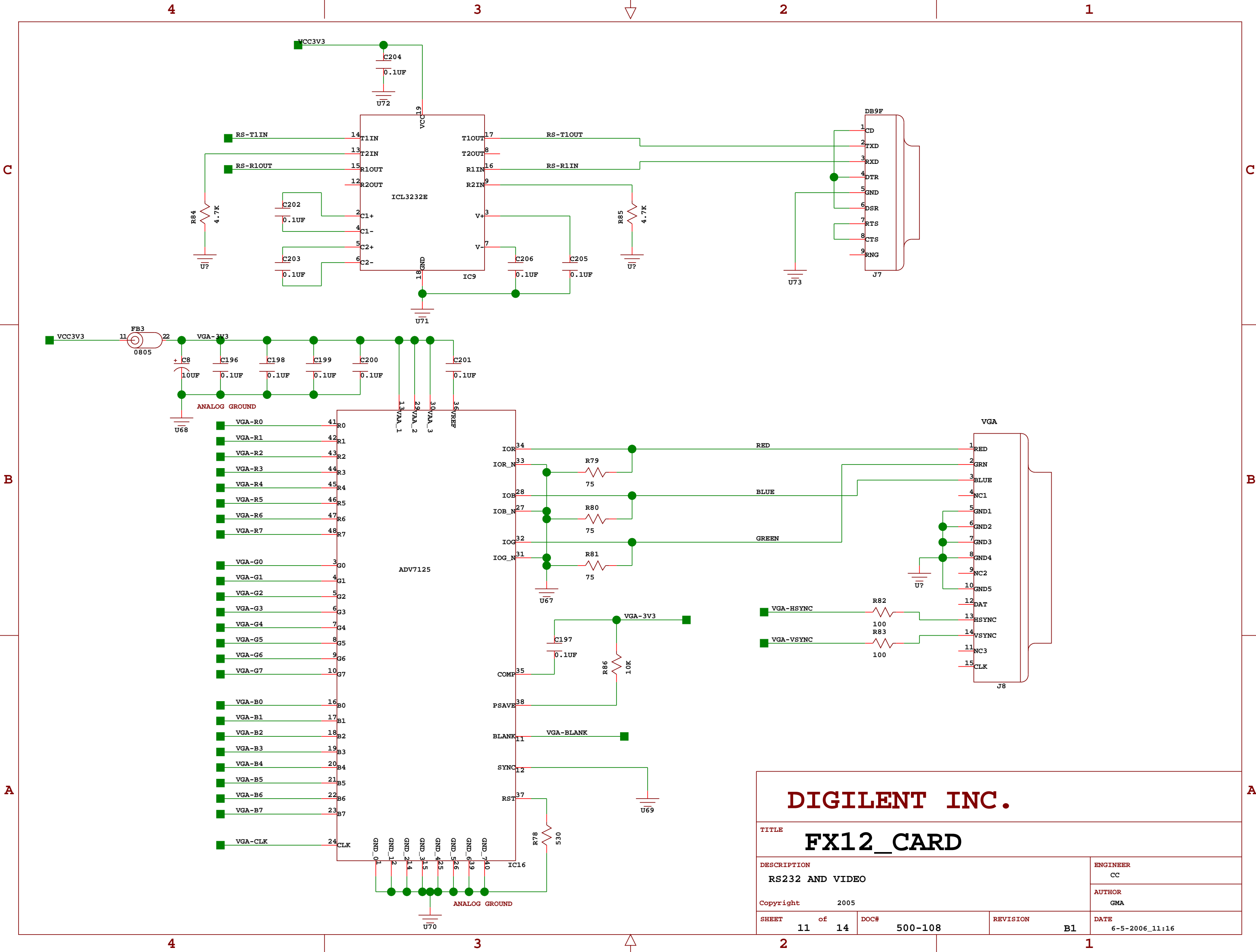
AUTHOR
GMA

SHEET 10 of 14

DOC# 500-108

REVISION B1

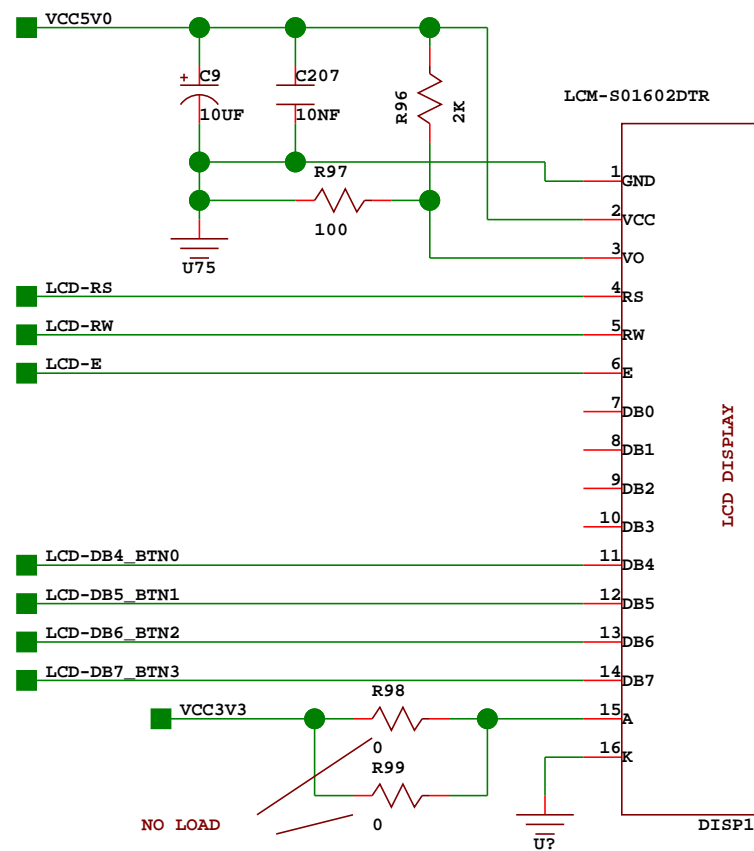
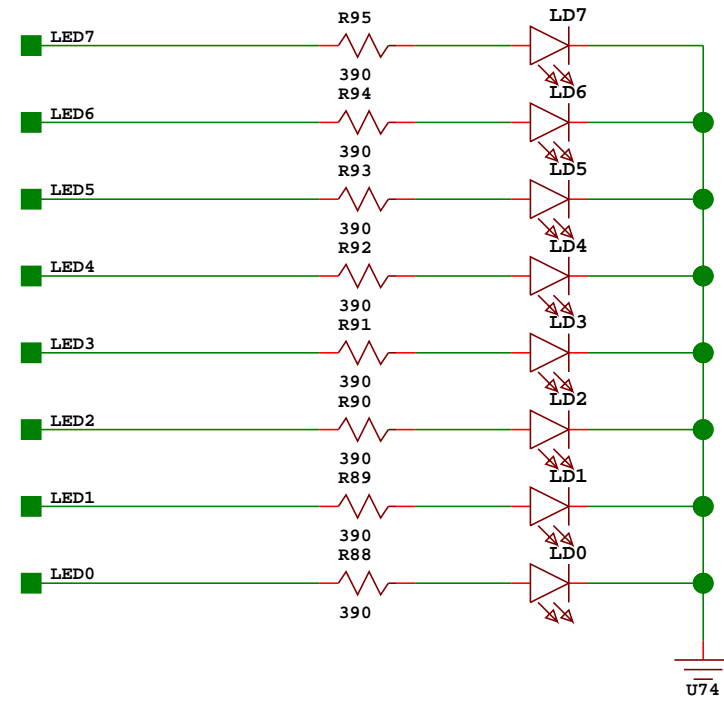
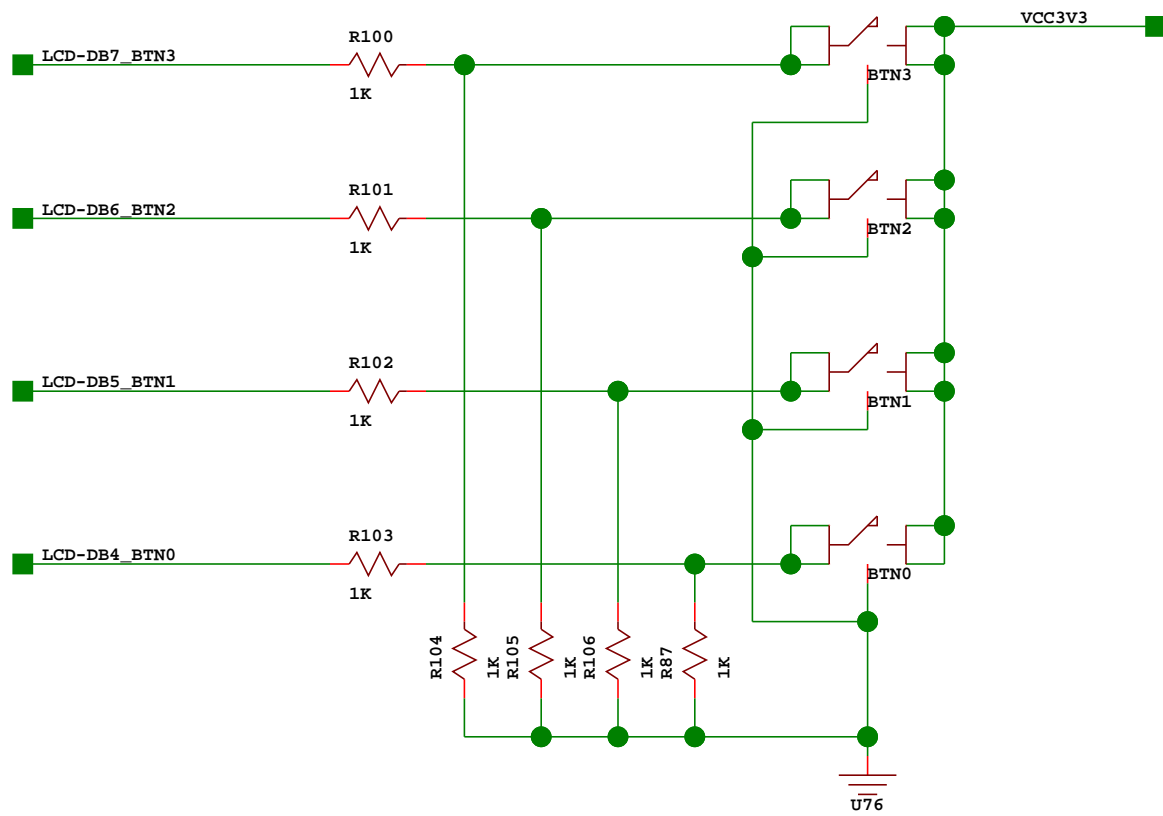
DATE 6-5-2006_11:16



DIGILENT INC.

FX12_CARD

DESCRIPTION		ENGINEER	
RS232 AND VIDEO		CC	
Copyright 2005		AUTHOR	
		GMA	
SHEET	of	DOC#	REVISION
11	14	500-108	B1
DATE			DATE
6-5-2006_11:16			



DIGILENT INC.

TITLE **FX12_CARD**

DESCRIPTION
LCD, BUTTONS, LEDS

ENGINEER
CC

AUTHOR
GMA

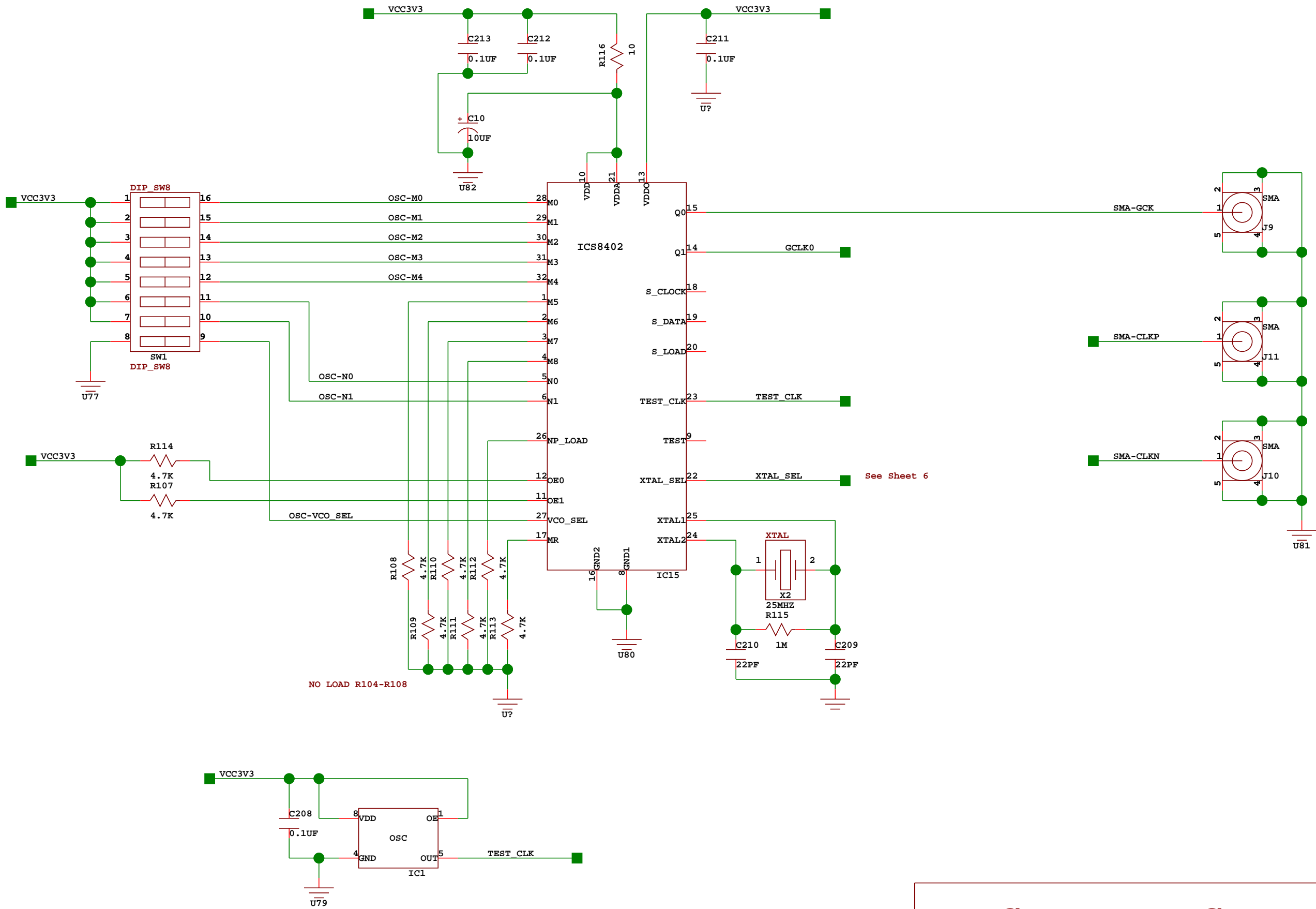
Copyright 2006

SHEET 12 of 14

DOC# 500-108

REVISION B1

DATE 6-5-2006_11:16



DIGILENT INC.

TITLE **FX12_CARD**

DESCRIPTION
CLOCK AND SMA CONNECTORS

ENGINEER
CC

AUTHOR
GMA

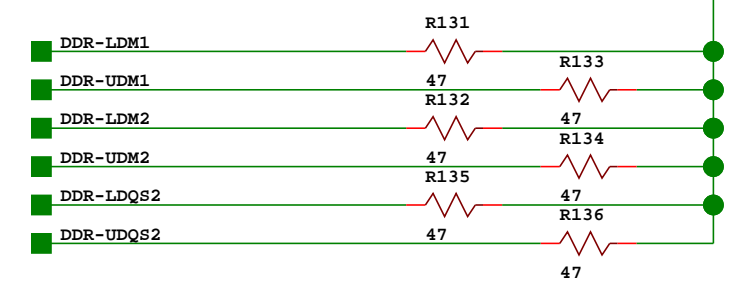
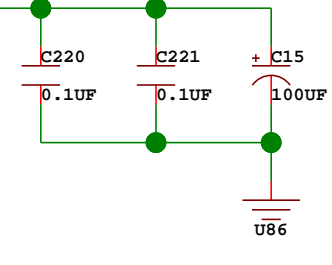
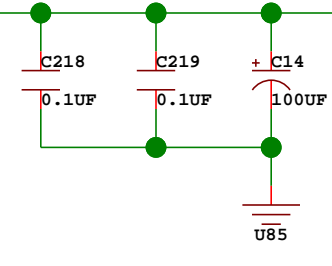
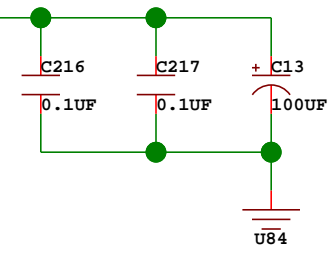
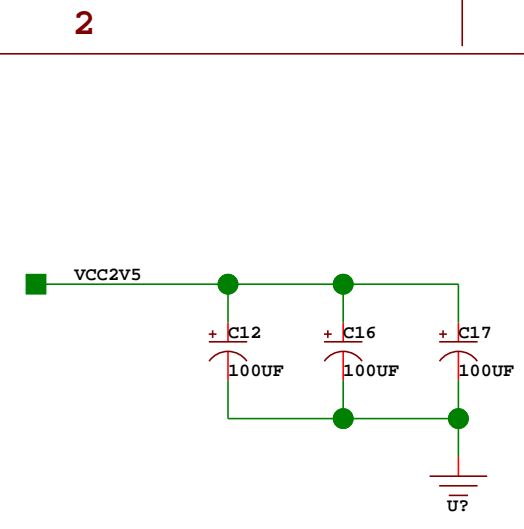
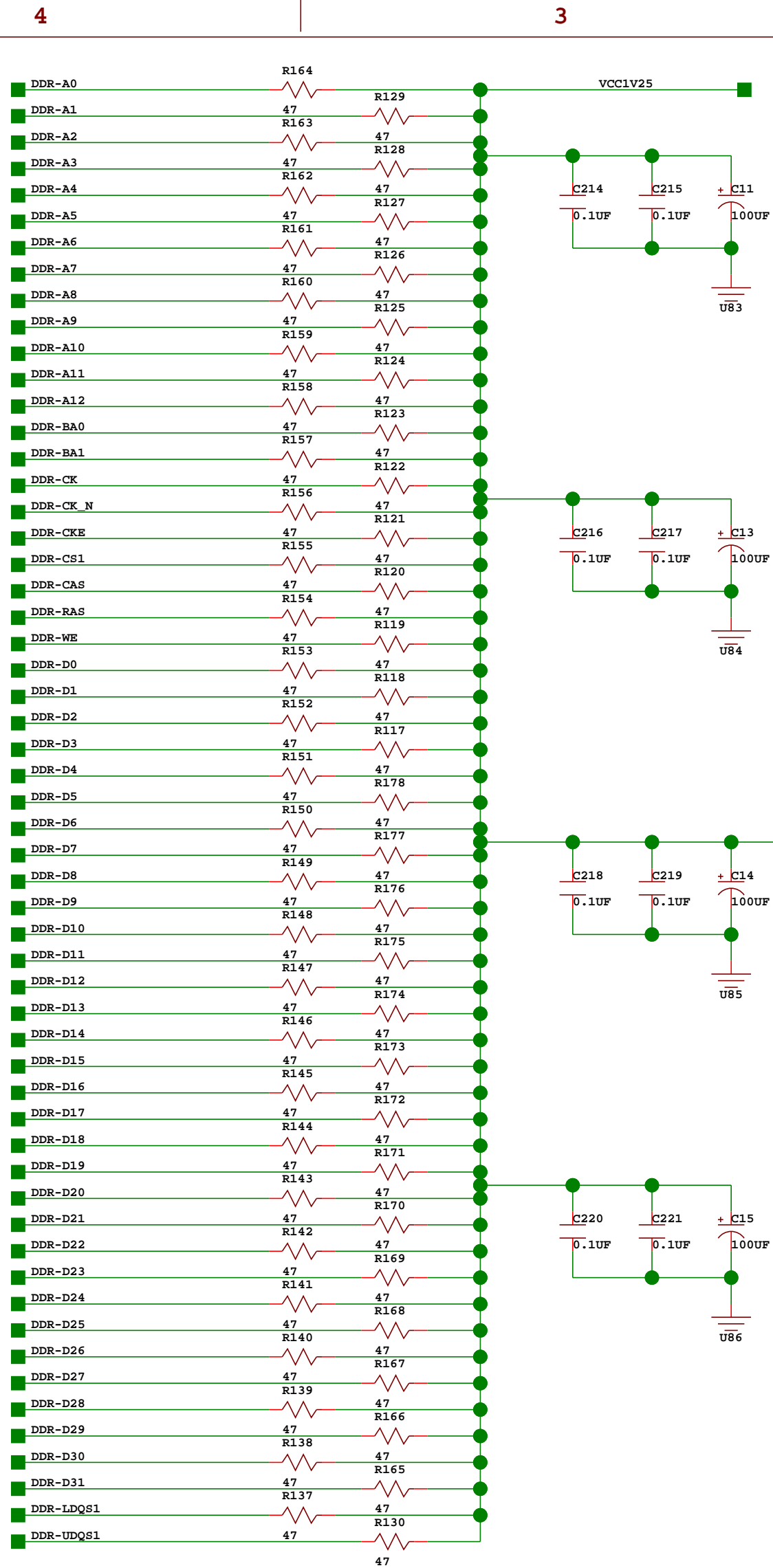
Copyright 2006

SHEET 13 of 14

DOC# 500-108

REVISION B1

DATE 6-5-2006_11:16



DIGILENT INC.

TITLE				FX12_CARD			
DESCRIPTION				DDR TERMINATION			
Copyright				2005			
SHEET		of		DOC#		REVISION	
14		14		500-108		B1	
AUTHOR				GMA			
DATE				6-5-2006_11:16			