

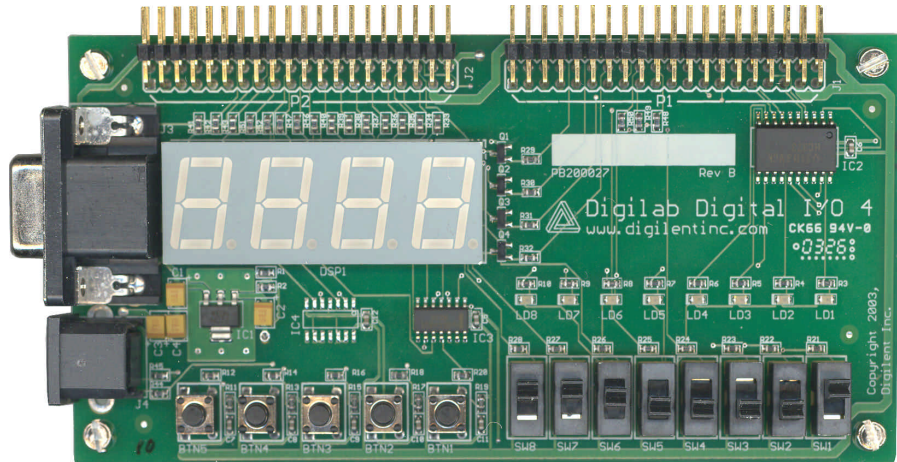
Digilent DIO4 System Board

Ready-made I/O for Digilent boards



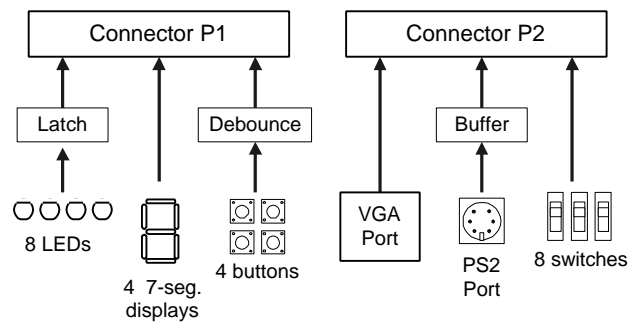
www.digilentinc.com

The DIO4 Digital I/O board provides a simple and inexpensive ready-made source for several useful I/O devices and ports. It can be used with the D2SB or D2FT boards to provide a convenient source of I/O devices that are useful in the design and debug of digital circuits. All I/O devices are directly mapped to I/O pins on the system FPGA, so it is very quick and easy to use.



FEATURES AND BENEFITS

- A 4-digit seven segment display
- 8 individual LEDs
- 4 de-bounced pushbuttons
- 8 slide switches
- 3-bit VGA port
- PS/2 mouse or keyboard port



APPLICATIONS

- Any circuit where basic general-purpose I/O devices are needed