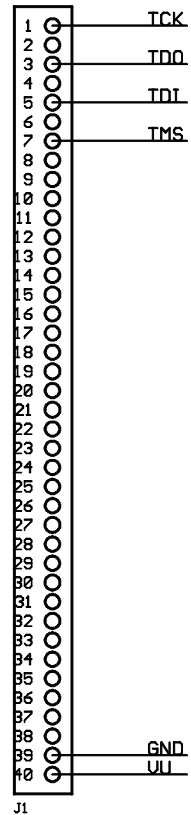
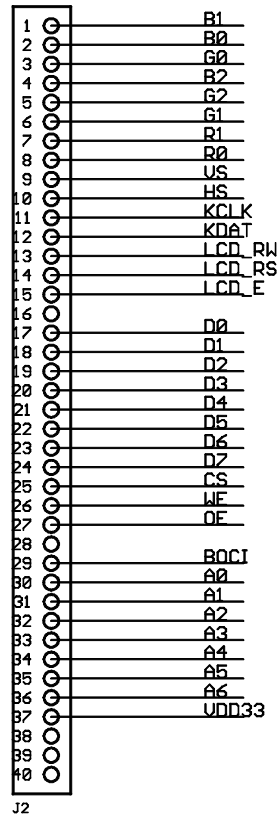


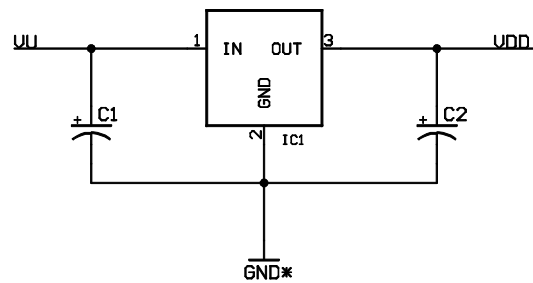
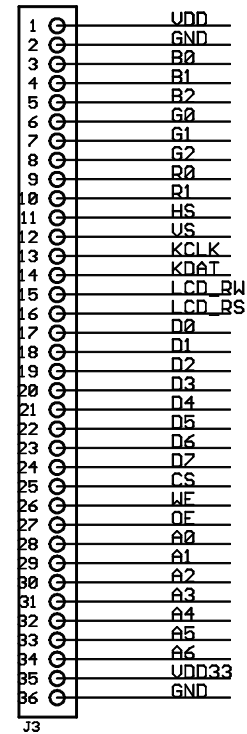
Connector A



Connector B



Test Point Header



Digilab Digital I/O II
Copyright 2001, Digilent Inc.

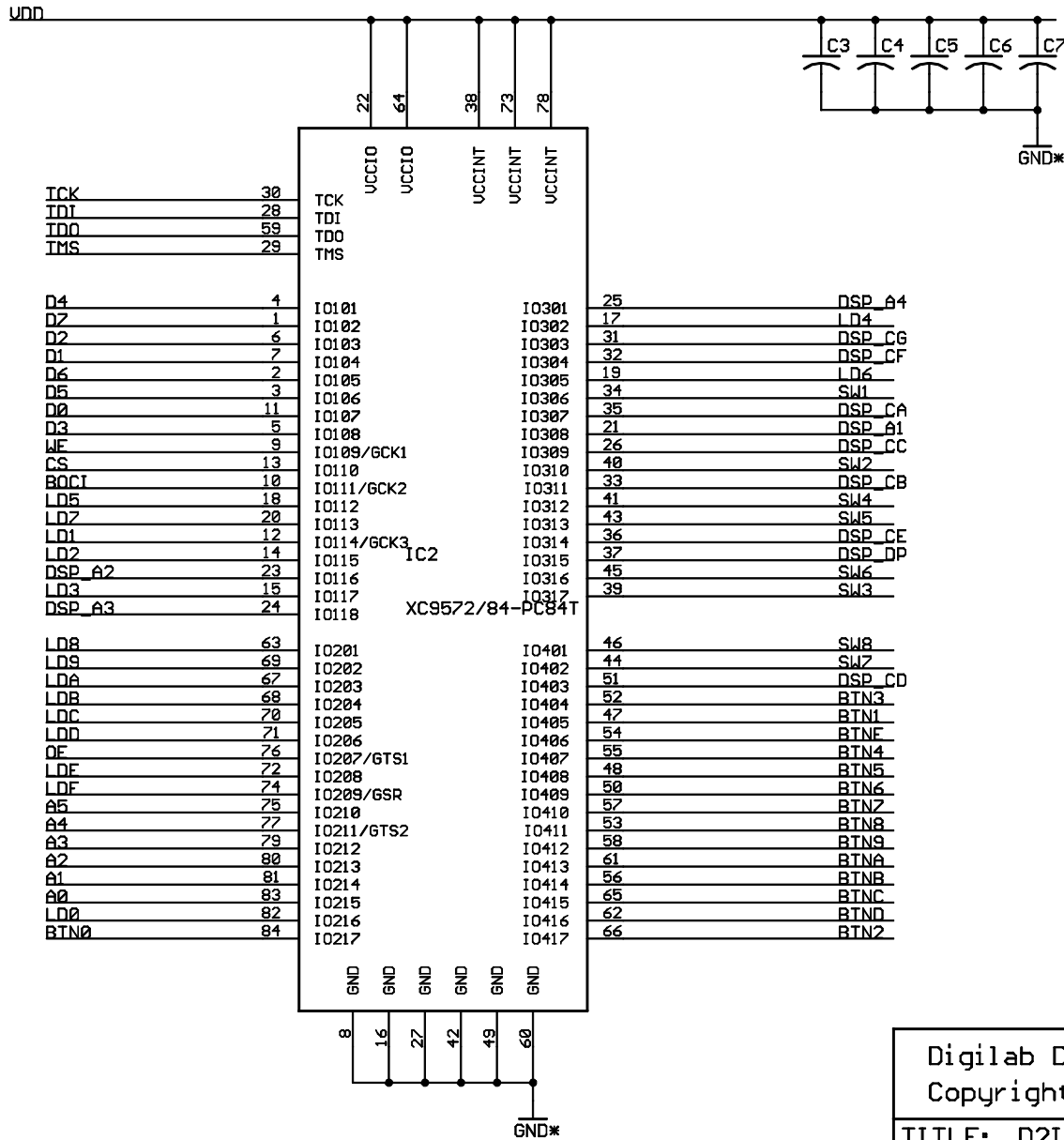
TITLE: D2IO-B

Document Number: PB-500-005

REV:
B

Date: 1/16/2002 11:11:51a

Sheet: 1/5



Digilab Digital I/O II
 Copyright 2001, Digilent Inc.

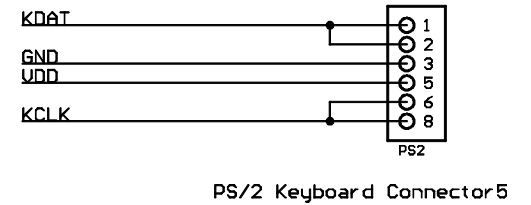
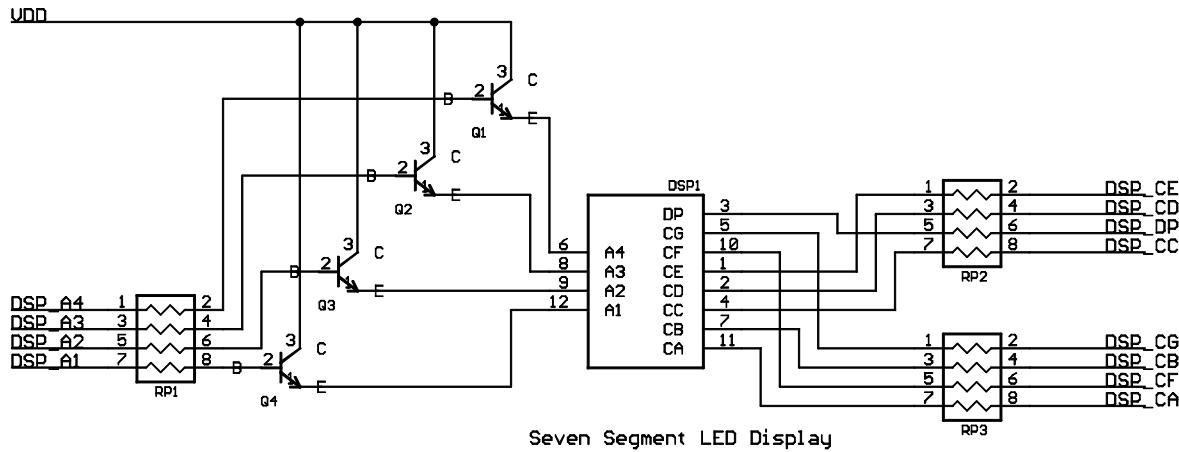
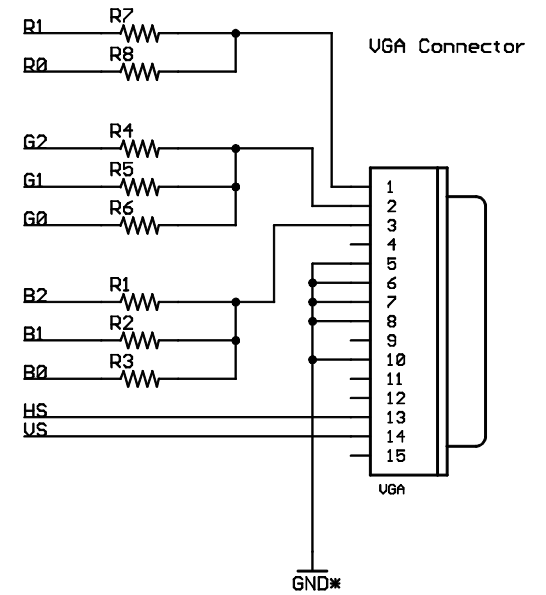
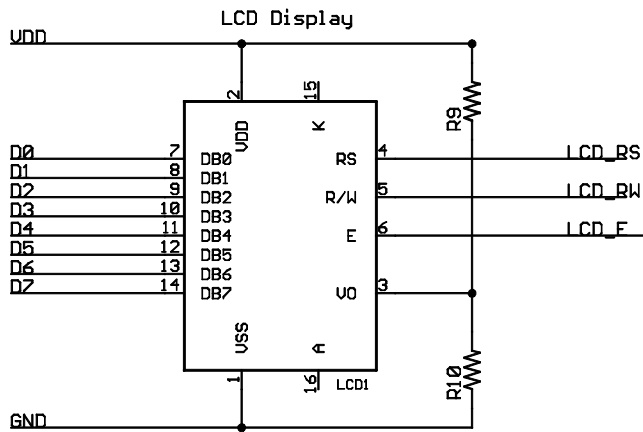
TITLE: D2IO-B

Document Number: PB-500-005

REV:
B

Date: 1/16/2002 11:11:51a

Sheet: 2/5



Digilab Digital I/O II
 Copyright 2001, Digilent Inc.

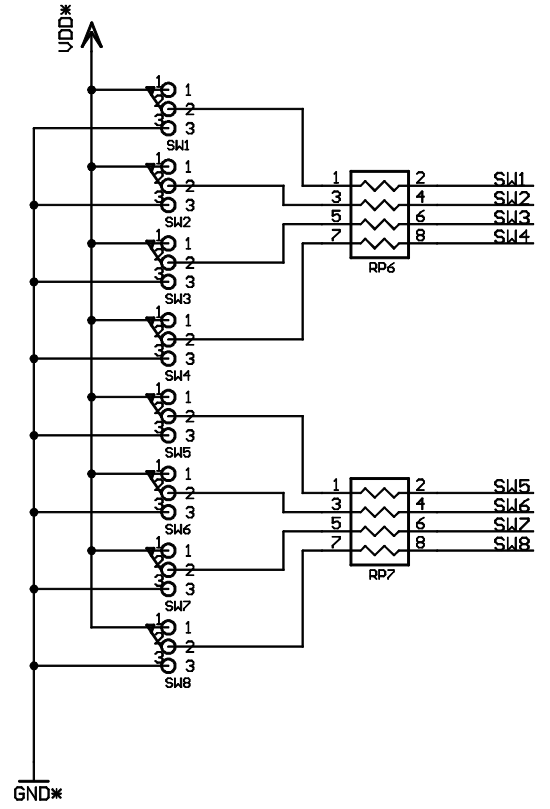
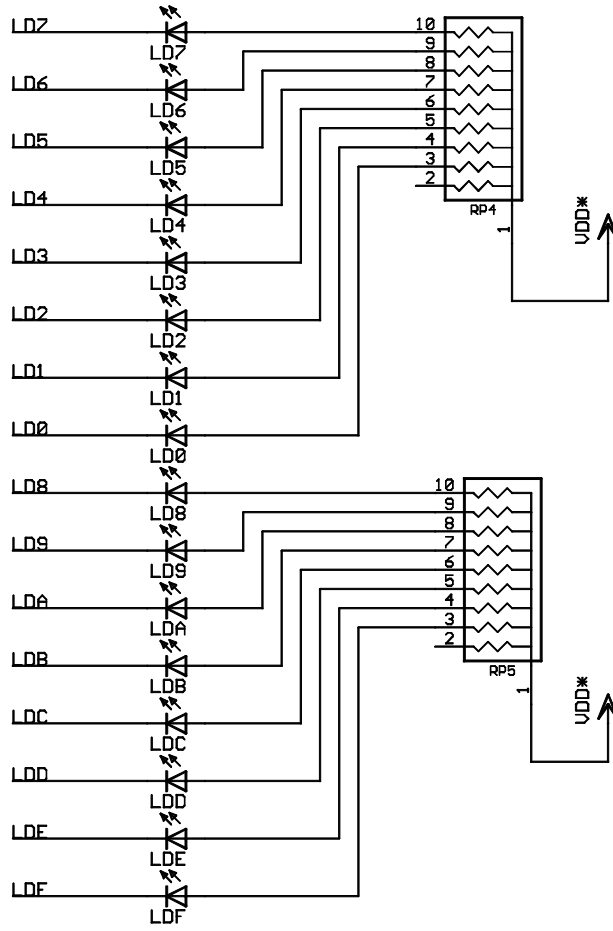
TITLE: D2IO-B

Document Number: PB-500-005

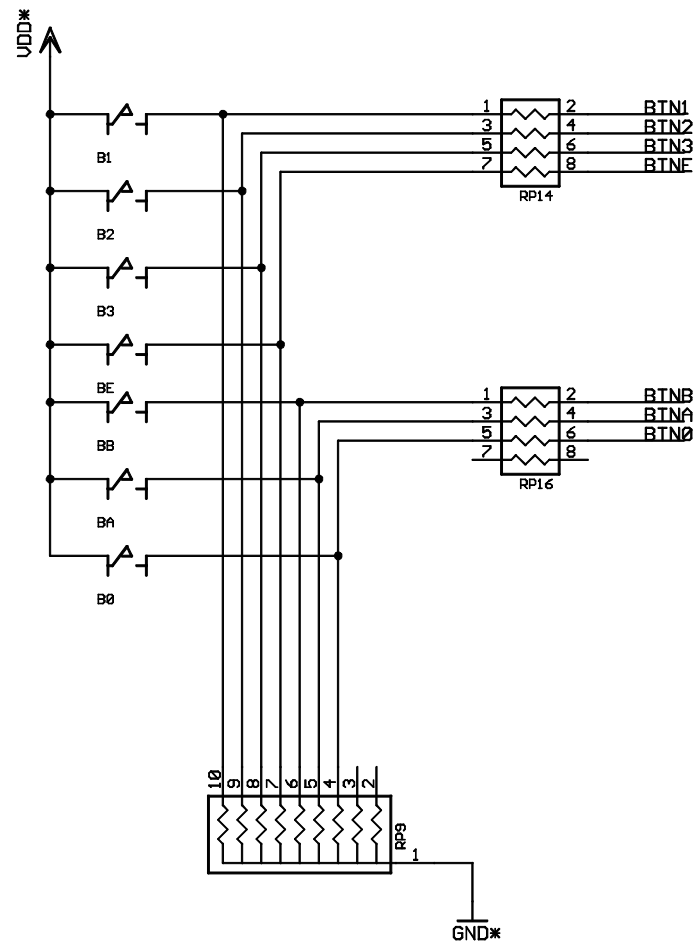
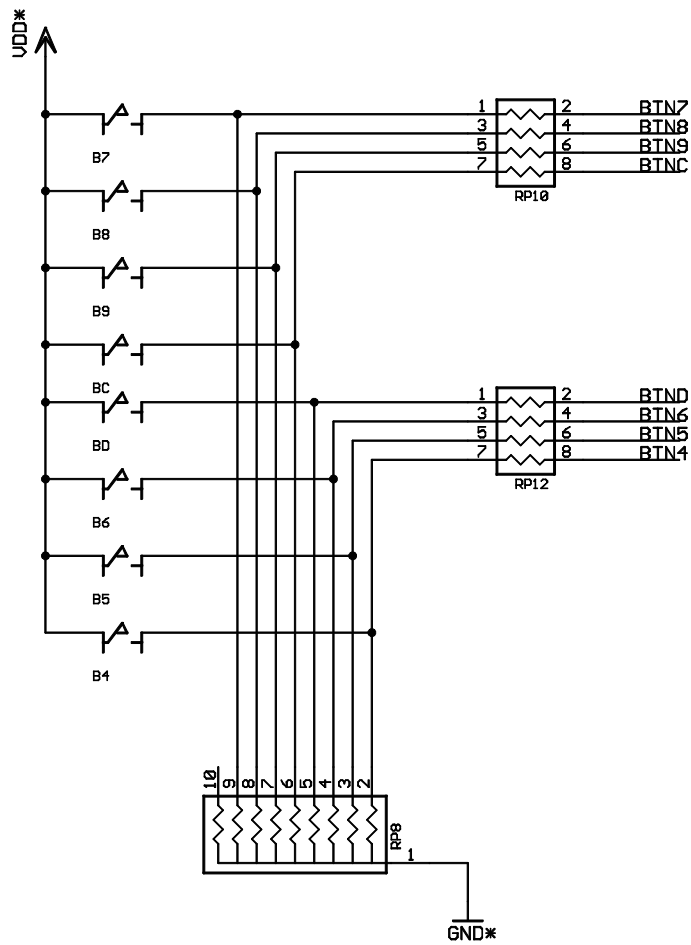
REV:
B

Date: 1/16/2002 11:11:51a

Sheet: 3/5



Digilab Digital I/O II Copyright 2001, Digilent Inc.	
TITLE: D2IO-B	
Document Number: PB-500-005	REV: B
Date: 1/16/2002 11:11:51a	Sheet: 4/5



Digilab Digital I/O II
Copyright 2001, Digilent Inc.

TITLE: D2IO-B

Document Number: PB-500-005

REV:
B

Date: 1/16/2002 11:11:51a

Sheet: 5/5