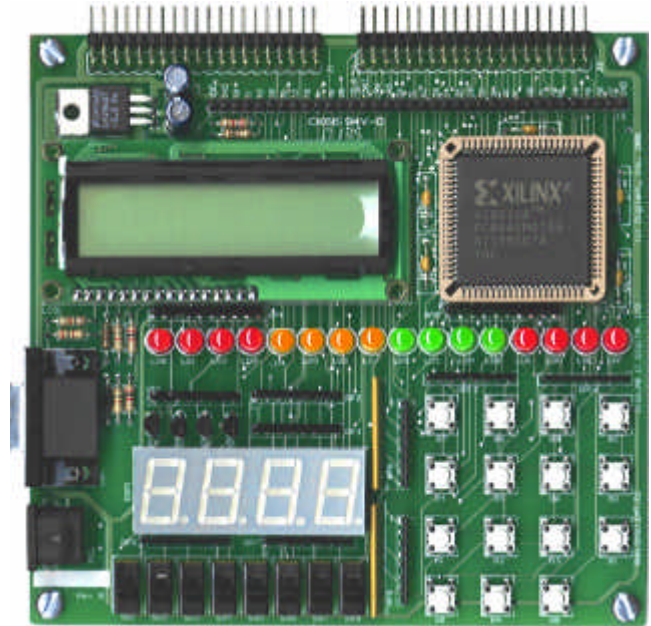


# Digilab Digital I/O 2 Peripheral Board



The Digilab Digital I/O Board 2 (DIO2) provides a ready-made source for many of the most common I/O devices and ports found in digital systems. The DIO2 board can be used with any Digilab system board to create a platform that can host a wide range of projects. For example, the DIO2 can be used with a D2 board to create a full-function calculator, a complete computer, a video game, as well as countless other circuits and systems. If a given project requires circuits or devices that are not on the DIO2, a Digilab breadboard or wirewrap board can be inserted between a system board and DIO2 board. The DIO2 board uses a Xilinx 95108 CPLD to create a system bus between the system board and I/O devices, as well as to manage several of the I/O devices. The CPLD can be reprogrammed by the user to customize the board for particular needs.

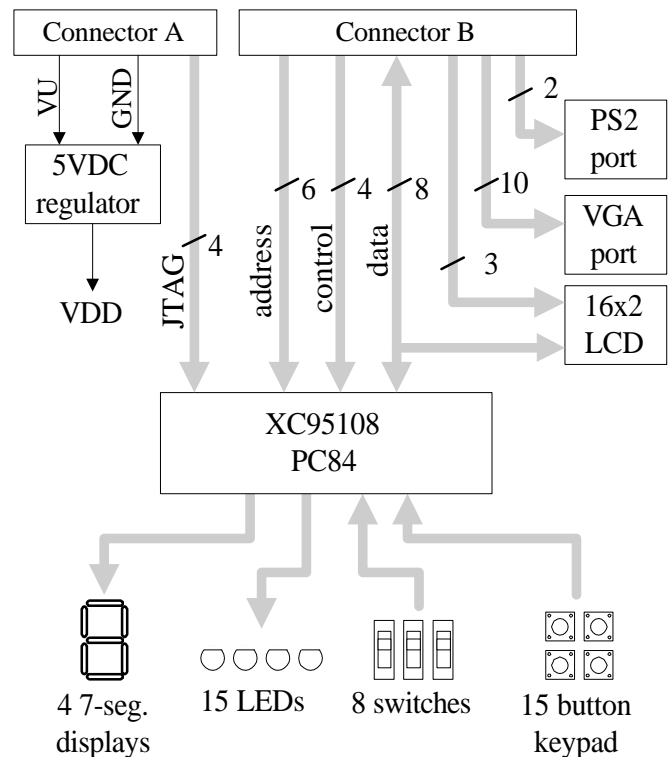


**Digilab DIO2 Peripheral Board**

DIO2 board features include:

- An XC95108 CPLD for I/O device and system bus control;
- A 16x2 character LCD with integral Samsung controller IC;
- A 4-digit seven-segment LED display;
- 16 individual LEDs of various colors;
- An 8-bit VGA port;
- A 15-button keypad;
- 8 slide switches;
- A PS2 mouse/keyboard port;
- An on-board 5VDC regulator;
- A test point header with 36 signal connection points.

For more information, please see the Digilab DIO2 reference documents available at our website.



**DIO2 Block Diagram**