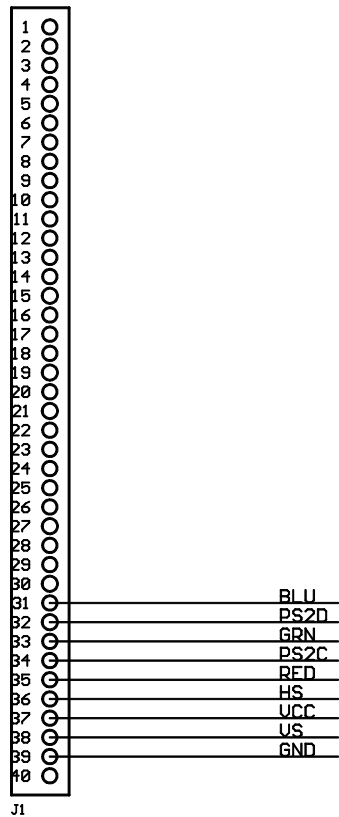
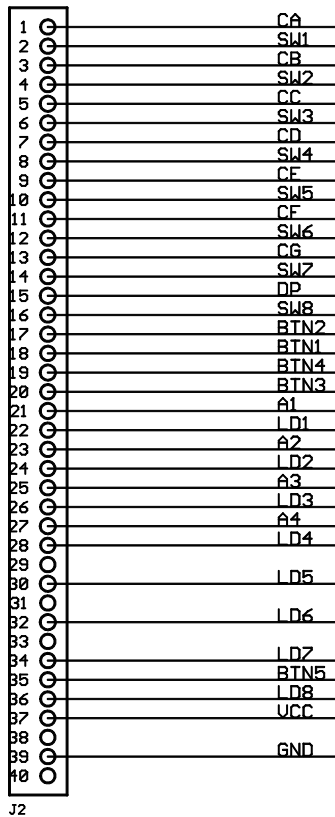


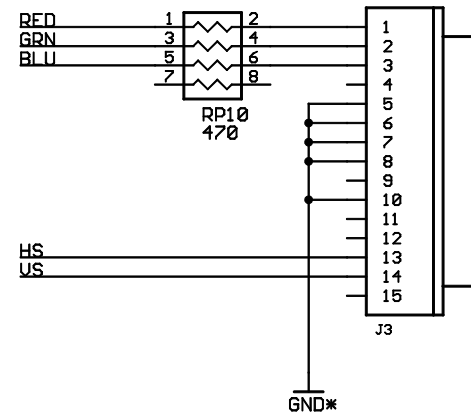
Connector A



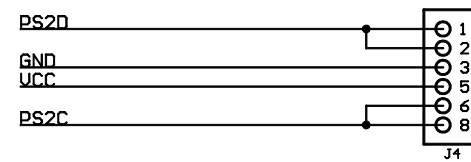
Connector B



UGA Connector

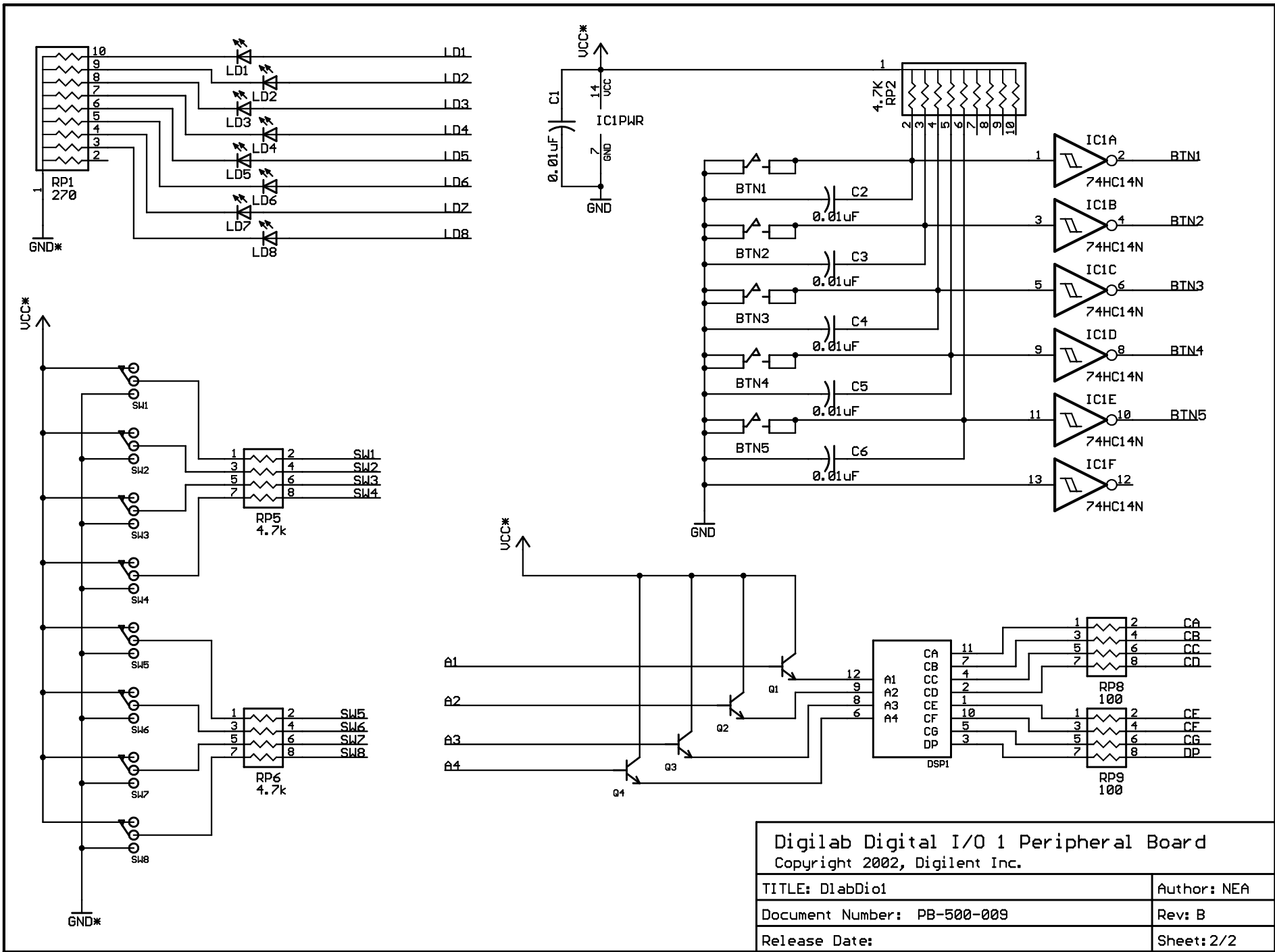


PS/2 Keyboard Connector



Digilab Digital I/O 1 Peripheral Board  
Copyright 2002, Digilent Inc.

TITLE: DlabDio1	Author: NEA
Document Number: PB-500-009	Rev: B
Release Date:	Sheet: 1/2



Digilab Digital I/O 1 Peripheral Board Copyright 2002, Digilent Inc.	
TITLE: DlabDio1	Author: NEA
Document Number: PB-500-009	Rev: B
Release Date:	Sheet: 2/2