

Digilab 2E Reference Manual

Overview

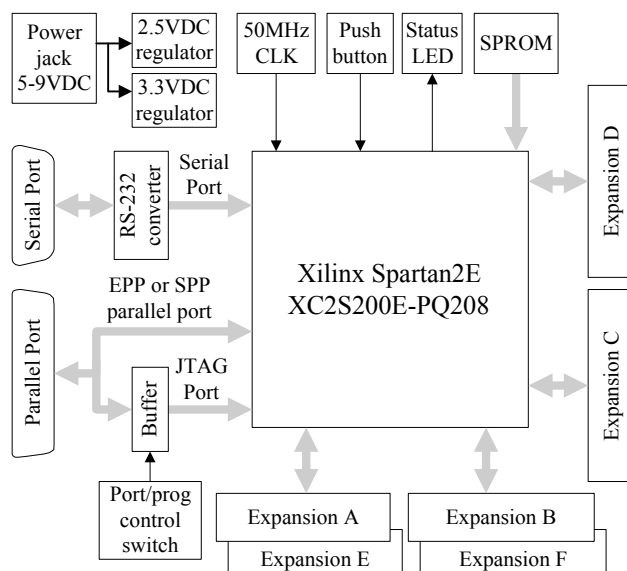
The Digilab 2E (D2E) development board featuring the Xilinx Spartan 2E XC2S200E FPGA provides an inexpensive and expandable platform on which to design and implement digital circuits of all kinds. D2E board features include:

- A Xilinx XC2S200E FPGA;
- Dual on-board 1.5A power regulators (2.5V and 3.3V);
- A socketed 50MHz oscillator;
- An EPP-capable parallel port for JTAG-based FPGA programming and user data transfers;
- A 5-wire Rs-232 serial port;
- A status LED and pushbutton for basic I/O;
- Six 100-mil spaced, right-angle DIP socket 40-pin expansion connectors.

The D2E board has been designed specifically to work with the Xilinx ISE CAD tools, including the free WebPack tools available from the Xilinx website. Like other Spartan 2 boards in the Digilab family, the D2E board has been partitioned so that only the hardware required by a particular project need be purchased. Several existing peripheral boards

Functional description

The Digilab D2E board has been designed to offer a low-cost and minimal system for designers who need a flexible platform to gain exposure to the Spartan 2E device, or for those who need to prototype



D2E circuit board block diagram

that mate with the expansion connectors are currently available (see www.digilentinc.com), and new boards are frequently added. The low-cost, standard expansion connectors allow new peripheral boards, including wire-wrap or manually soldered boards, to be quickly designed and used. The D2E board ships with a power supply and programming cable, so designs can be implemented immediately without the need for any additional hardware.

FPGA-based designs rapidly. The D2E board provides only the essential supporting devices for the Spartan 2E, and routes all available FPGA signals to standard expansion connectors. Included on the board are 2.5VDC and 3.3VDC regulators, a JTAG configuration circuit that uses a standard parallel cable, basic communication ports including an enhanced parallel port and 5-wire serial port, a 50MHz oscillator, and a pushbutton and LED for rudimentary I/O.

The D2E board has been designed to serve as a host for various peripheral boards. The expansion connectors on the D2E board mate with standard 40-pin, 100 mil spaced DIP headers available from any catalog distributor. Expansion connectors provide the unregulated supply voltage (VU), 3.3V, GND, and 37 FPGA signals to peripheral boards, so system designers can quickly develop application-specific peripheral boards. Digilent also produces a collection of expansion boards with commonly used devices. See the Digilent website (www.digilentinc.com) for a listing of currently available boards.

Table 1 shows all signals routed on the D2E board. These signals, and the circuits that they connect to, are described in the following sections.

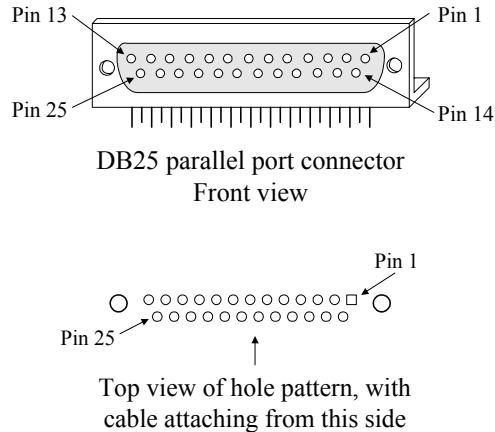
<u>Power Supplies</u>	
VU	Unregulated power supply voltage – depends on power supply used. Must be between 5VDC and 10VDC. Routed to regulators and expansion connectors only.
VDD33	FPGA VCCO and VCC for all other devices, routed on PCB plane. 1.5A can be drawn with less than 20mV ripple (typical)
VDD25	FPGA VCCINT routed on PCB plane
GND	System ground routed to all devices on PCB ground plane
<u>Programming and parallel port</u>	
PWE	EPP mode write enable signal (in to FPGA)
PD0-PD7	Bi-directional data signals
PINT	Interrupt signal (out from FPGA)
PWT	EPP mode wait signal (out from FPGA)
PDS	EPP mode data strobe (in to FPGA)
PRS	Reset signal (in to FPGA)
PAS	EPP mode address strobe (in to FPGA)
<u>Serial port</u>	
RXD	Serial port receive data (in to FPGA)
TXD	Serial port send data (out from FPGA)
DSR	Serial port data set ready (out from FPGA)
CTS	Serial port clear to send (out from FPGA)
RST	Serial port request to send (in to FPGA)
<u>On board devices</u>	
BTN1	User-controllable pushbutton input
LED1	User-controllable status LED
CLK1	CMOS oscillator connected to GCLK0
<u>Expansion Connectors</u>	
A4-A40	A bus signals connecting the A & E connectors to the FPGA
B4-B14	B bus signals connecting the B & F connectors to the FPGA
C4-C40	C bus signals connecting the C connector to the FPGA
D4-D40	D bus signals connecting the D connector to the FPGA

Table 1. D2E board signal definitions

Parallel port and FPGA configuration circuit

The Digilab 2E board uses a DB-25 parallel port connector to route JTAG programming signals from a host computer to the FPGA. This same connector also routes the computer’s parallel port pins to the FPGA following the EPP port definition contained in the IEEE 1284 standard. A three-state buffer, controlled by a switch, determines whether the JTAG port or EPP port is enabled. With this circuit, the FPGA can be configured using the JTAG protocol over the parallel cable. The same cable can then be used (after the switch is repositioned) to move data between the board and the host computer using the high-speed EPP protocol. A separate JTAG header is also provided so that a dedicated programming cable (like the Xilinx Parallel III cable) can be used.

The JTAG programming circuit follows the JTAG schematic available from Xilinx, so that the Digilab 2E board is fully compatible with all Xilinx programming tools. The EPP parallel port circuit follows the guidelines in the IEEE 1284 specification, and data rates approaching 2Mbytes/second can be achieved. JTAG and EPP connections are shown in the diagrams below.



Pin	EPP signal	EPP Function
1	Write Enable (O)	Low for read, High for write
2-9	Data bus (B)	Bidirectional data lines
10	Interrupt (I)	Interrupt/acknowledge input
11	Wait (I)	Bus handshake; low to ack
12	Spare	NOT CONNECTED
13	Spare	NOT CONNECTED
14	Data Strobe (O)	Low when data valid
15	Spare	NOT CONNECTED
16	Reset (O)	Low to reset
17	Address strobe (O)	Low when address valid
18-25	GND	System ground

Figure 1. Parallel port connectors and signals

The D2E board directly supports JTAG and SPROM configuration. Hardware debugger configuration is supported indirectly. To configure the board from a computer using the JTAG mode, set switch 1 (SW1) in the JTAG position, and attach a power supply and programming cable. The power supply must be connected before the parallel cable, or the board may hang in a non-communicating state. The board will be auto-detected by the Xilinx JTAG programming software, and all normal JTAG operations will be available.

To configure the FPGA from an SPROM, load the programmed SPROM into the 8-pin ROM socket (labeled IC6), place SW1 in the PORT position, add jumpers to all mode pins, and apply power.

To configure the board using the hardware debugger protocol, a slight board modification is required – a jumper wire must be soldered to the non-VCC side of R45. Insert wire-wrap posts into the SPROM socket, attach the hardware debugger signals to the appropriate posts, and attach the PROG signal to the jumper wire attached to R45. The hardware debugger programming software will now automatically recognize the board, and hardware debugger programming can proceed as normal.

Programming circuit detail is shown below. Note that all parallel port signals are routed to the test header J12 for easy connection of test and measurement equipment.

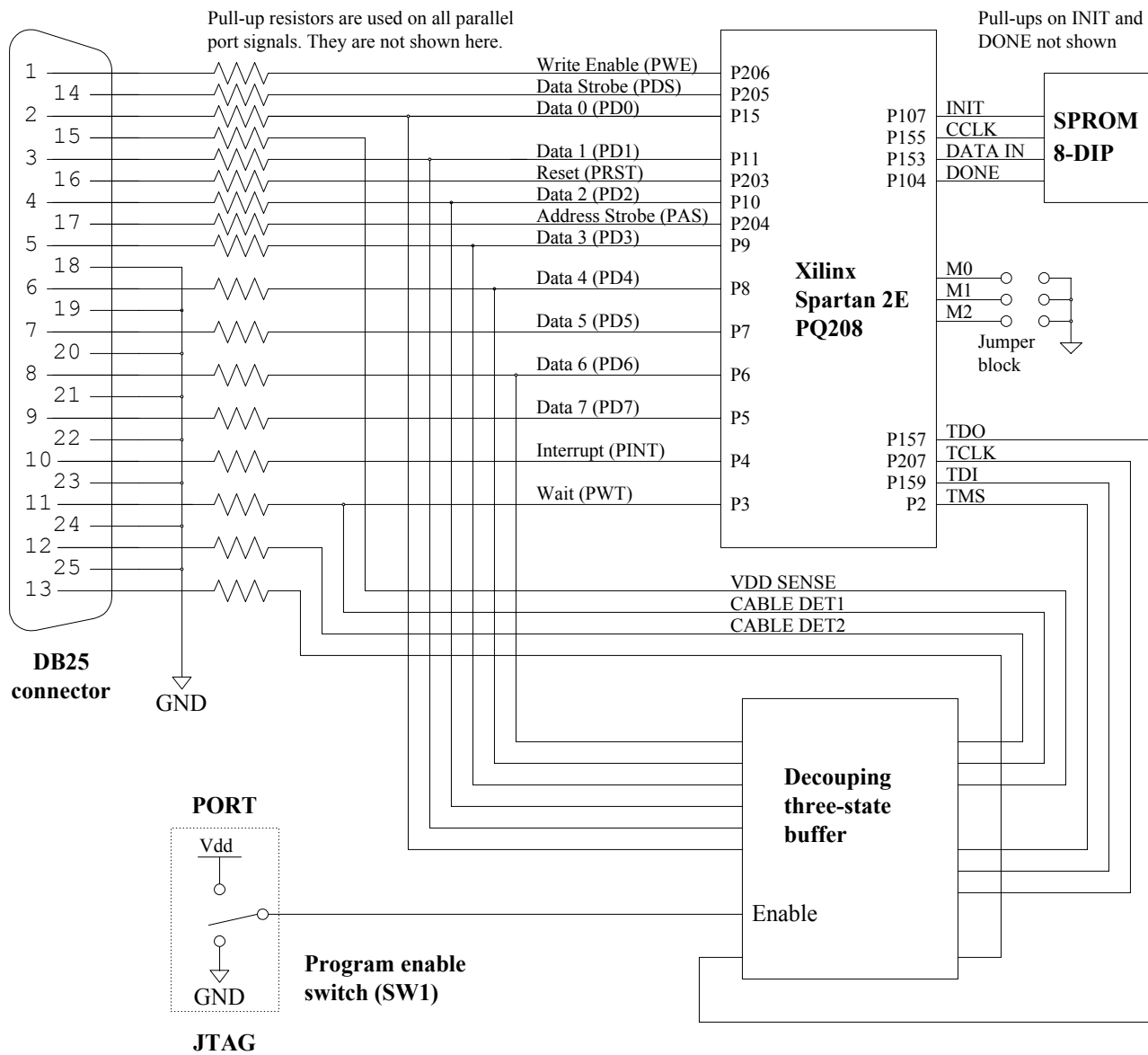


Figure 2. Parallel port and programming circuit schematic

Serial Port

The D2E serial port uses a Maxim MAX3386E RS-232 voltage converter to generate the required RS-232 voltages. Five signals are connected through the RS-232 converter, allowing for partial hardware handshaking. The serial port pin definitions and circuit are shown below. The serial port is provided in part to support the Xilinx MicroBlaze embedded RSIC processor core available from the Xilinx website.

The two devices connected to either end of a serial cable are known as the Data Terminal Equipment (DTE) and the Data Communications Equipment (DCE). The DCE was originally conceived to be a modem, but now many devices connect to a computer as a DCE. A DTE device uses a male DB-9 connector, and a DCE device uses a female DB-9 connector. The DTE is considered the source of data, and the DCE the peripheral device. Two DTE devices can be connected via a serial cable only if lines

two and three are crossed – this is known as a null modem cable. A DTE and DCE device can be connected with a straight-through cable. The Digilab 2E board is configured as a DCE device.

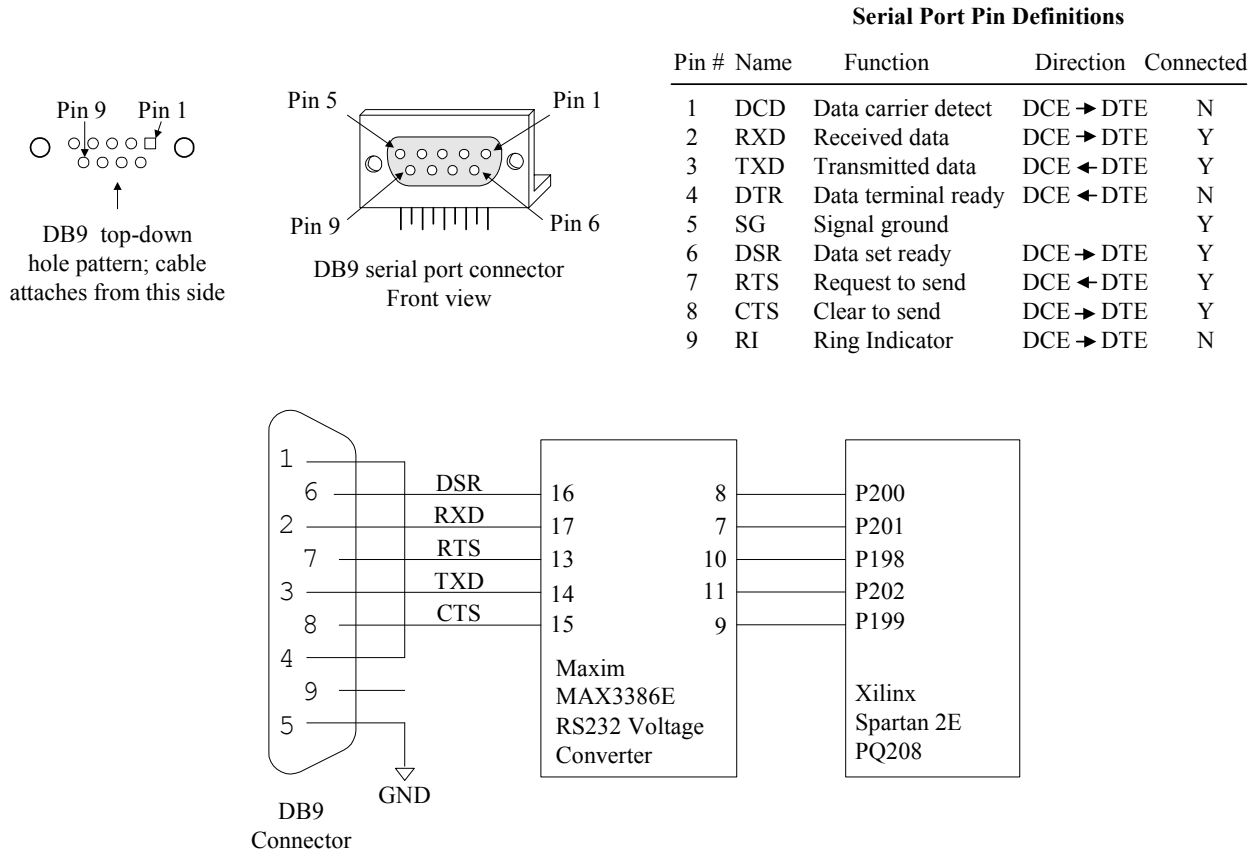


Figure 3. Serial port circuit schematic

Oscillator

The Digilab 2E uses a socketed half-size 8-pin DIP oscillator. The board ships with a 50MHz oscillator, allowing for system clocks from virtually DC to 200MHz (using the Spartan 2E DLL circuit and/or clock counter-dividers). Oscillators from 32KHz to 100MHz can easily be substituted, allowing for a wide range of clock frequencies. The oscillator, which is connected to the FPGA GCK0 input (P80), is bypassed with a 0.1uF capacitor and it is located as physically close to the FPGA as possible (trace length is about 10mm).

Power Supplies

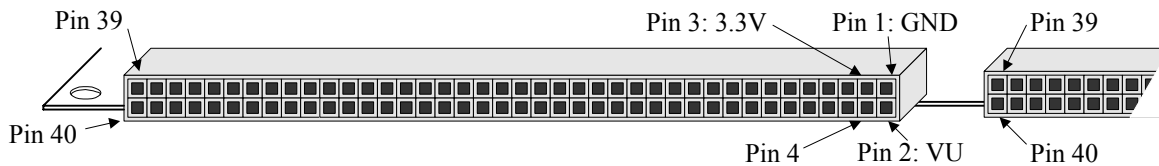
The Digilab 2E board uses two LM317 1.5A voltage regulators to produce 2.5VDC and 3.3VDC supplies. The regulator inputs are driven from an external DC power supply connected to the on-board 2.1mm center-positive power jack. The regulators have 10uF of input capacitance, 20uF of local output capacitance, and 10uF of regulation bypass capacitance. This allows the regulators to produce stable, low noise supplies using inexpensive power supplies, regardless of load (up to 1.5A). The regulator bodies are soldered to the board for improved thermal dissipation. DC supplies in the range of 5VDC to 10VDC may be used.

The Digilab 2E board uses a four layer PCB, with the inner layers dedicated to VCC and GND planes. Most of the VCC plane is at 3.3V, with an island under the FPGA at 2.5V. The FPGA and the other ICs on the board all have 0.1uF bypass capacitors placed as close as possible to the VCC pins.

Total board current is dependant on FPGA configuration, clock frequency, and external connections. In test circuits with roughly 50K gates routed, a 50MHz clock source, and a single expansion board attached (the DIO2 board), approximately 200mA +/- 30% of supply current is drawn from the 2.5V supply, and approximately 150mA +/- 50% is drawn from the 3.3V supply. These currents are strongly dependent on FPGA and peripheral board configurations.

All FPGA VCCO pins are connected to the 3.3V supply. If other VCCO voltages are required, please contact Digilent for information regarding various options (Digilent can be contacted through www.digilentinc.com).

Expansion connectors



The six expansion connectors labeled A-F use 100 mil spaced DIP headers. All six connectors have GND routed to pin 1, VU routed to pin 2, and 3.3V routed to pin 3. Pins 4-40 all route directly to the FPGA. The connectors are organized in pairs, with the A & B, C& D, and E & F pairs placed on the same board edge. Connectors A & B and E & F are routed in parallel, with pairs A & E and B & F sharing identical pin connections to the FPGA. Connectors C & D have all pins routed to separate FPGA pins. All connector pairs are separated by 400 mils, so any peripheral board can be placed in any connector (or pair of connectors).

The PQ208 package used on the D2E board allows 122 signals to be routed to the expansion connectors (the remaining 21 available signals are routed to the parallel and serial connectors). Connectors C and D are closest to the FPGA, and all C and D pins are connected to the closest available FPGA pins with the shortest possible route. Thus, the 74 FPGA signals routed to the C & D connectors will exhibit the least amount of signal delay, and data rates of up to 100MHz are attainable. The A & E connectors also route 37 FPGA signals, but with less favorable routes. Only 11 FPGA signals were left to route to the B & F connectors, so 26 pins on those connectors are not connected. Connector pin definitions follow.

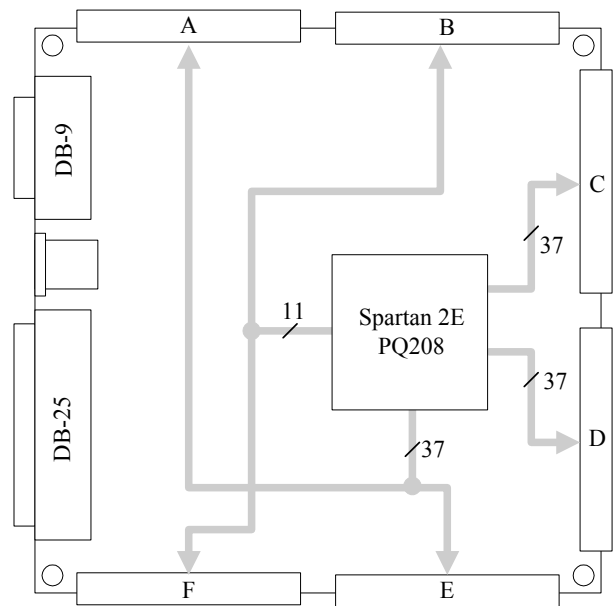


Figure 4. Expansion connector detail

Table 2. Digilab 2E Expansion Connector pinouts

A&E connector		
Pin	Signal	S-II pin
1	GND	-
2	VU	-
3	VDD33	-
4	A4	68
5	A5	64
6	A6	63
7	A7	62
8	A8	61
9	A9	60
10	A10	59
11	A11	58
12	A12	57
13	A13	56
14	A14	55
15	A15	49
16	A16	48
17	A17	47
18	A18	46
19	A19	45
20	A20	44
21	A21	43
22	A22	42
23	A23	41
24	A24	40
25	A25	36
26	A26	35
27	A27	34
28	A28	33
29	A29	31
30	A30	30
31	A31	29
32	A32	27
33	A33	24
34	A34	23
35	A35	22
36	A36	21
37	A37	20
38	A38	18
39	A39	17
40	A40	16

B&F connector		
Pin	Signal	S-II pin
1	GND	-
2	VU	-
3	VDD33	-
4	B4	194
5	B5	193
6	B6	192
7	B7	191
8	B8	189
9	B9	188
10	B10	187
11	B11	185*
12	B12	182*
13	B13	181
14	B14	180
15	B15	-
16	B16	-
17	B17	-
18	NC	-
19	NC	-
20	NC	-
21	NC	-
22	NC	-
23	NC	-
24	NC	-
25	NC	-
26	NC	-
27	NC	-
28	NC	-
29	NC	-
30	NC	-
31	NC	-
32	NC	-
33	NC	-
34	NC	-
35	NC	-
36	NC	-
37	NC	-
38	NC	-
39	NC	-
40	NC	-

C connector		
Pin	Signal	S-II pin
1	GND	-
2	VU	-
3	VDD33	-
4	C4	179
5	C5	178
6	C6	176
7	C7	175
8	C8	174
9	C9	173
10	C10	169
11	C11	168
12	C12	167
13	C13	166
14	C14	165
15	C15	164
16	C16	163
17	C17	162
18	C18	161
19	C19	160
20	C20	154
21	C21	152
22	C22	151
23	C23	150
24	C24	149
25	C25	148
26	C26	147
27	C27	146
28	C28	145
29	C29	141
30	C30	140
31	C31	139
32	C32	138
33	C33	136
34	C34	135
35	C35	134
36	C36	133
37	C37	132
38	C38	129
39	C39	127
40	C40	126

D connector		
Pin	Signal	S-II pin
1	GND	-
2	VU	-
3	VDD33	-
4	D4	125
5	D5	122
6	D6	123
7	D7	120
8	D8	121
9	D9	115
10	D10	116
11	D11	113
12	D12	114
13	D13	111
14	D14	112
15	D15	109
16	D16	110
17	D17	102
18	D18	108
19	D19	100
20	D20	101
21	D21	98
22	D22	99
23	D23	96
24	D24	97
25	D25	94
26	D26	95
27	D27	89
28	D28	93
29	D29	87
30	D30	88
31	D31	84
32	D32	86
33	D33	82
34	D34	83
35	D35	75
36	D36	81
37	D37	73
38	D38	74
39	D39	70
40	D40	71

* uses GCLK pin

Pushbutton and LED

A single pushbutton and LED are provided on the board allowing basic status and control functions to be implemented without a peripheral board. As examples, the LED can be illuminated from a signal in the FPGA to verify that configuration has been successful, and the pushbutton can be used to provide a basic reset function independent of other inputs. The circuits are shown below.

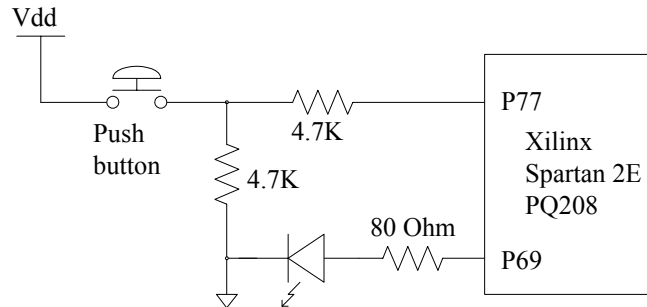


Figure 5. Pushbutton and LED detail

Spartan 2E FPGA

The block diagram of the Digilab 2E board shows all connections between the FPGA and the devices on the board. All FPGA pin connections are shown in the following table.

The Spartan device can be configured using the Xilinx JTAG tools and a parallel cable connecting the D2E board and the host computer. Note that a separate JTAG header that connects directly to the JTAG pins is also provided.

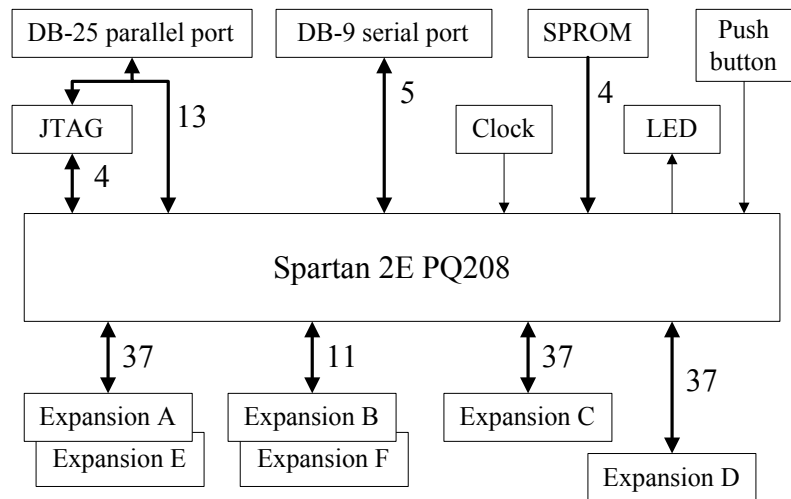


Figure 6. Spartan 2E connection detail

For further information on the Spartan FPGA, please see the Xilinx data sheets available at the Xilinx website (www.xilinx.com).

Table 3. Digilab 2E board Spartan 2E FPGA pinout

Pin #	Function	Pin #	Function	Pin #	Function	Pin #	Function
1	GND	53	VCCO	105	VCCO	157	TDO
2	TMS	54	M2	106	PROG	158	GND
3	PWT	55	A14	107	INIT	159	TDI
4	PINT	56	A13	108	D18	160	C19
5	PD7	57	A12	109	D15	161	C18
6	PD6	58	A11	110	D16	162	C17
7	PD5	59	A10	111	D13	163	C16
8	PD4	60	A9	112	D14	164	C15
9	PD3	61	A8	113	D12	165	C14
10	PD2	62	A7	114	D14	166	C13
11	PD1	63	A6	115	D9	167	C12
12	GND	64	A5	116	D10	168	C11
13	VCCO	65	GND	117	GND	169	C10
14	VCCINT	66	VCCO	118	VCCO	170	GND
15	PD0	67	VCCINT	119	VCCINT	171	VCCO
16	A40	68	A4	120	D7	172	VCCINT
17	A39	69	LED1	121	D8	173	C9
18	A38	70	D39	122	D5	174	C8
19	GND	71	D40	123	D6	175	C7
20	A37	72	GND	124	GND	176	C6
21	A36	73	D37	125	D4	177	GND
22	A35	74	D38	126	C40	178	C5
23	A34	75	D35	127	C39	179	C4
24	A33	76	VCCINT	128	VCCINT	180	B14
25	GND	77	BTN1*	129	C38	181	B13
26	VCCO	78	VCCO	130	VCCO	182	B12*
27	A32	79	GND	131	GND	183	GND
28	VCCINT	80	CLK1*	132	C37	184	VCCO
29	A31	81	D36	133	C36	185	B11*
30	A30	82	D33	134	C35	186	VCCINT
31	A29	83	D34	135	C34	187	B10
32	GND	84	D31	136	C33	188	B9
33	A28	85	GND	137	GND	189	B8
34	A27	86	D32	138	C32	190	GND
35	A26	87	D29	139	C31	191	B7
36	A25	88	D30	140	C30	192	B6
37	VCCINT	89	D27	141	C29	193	B5
38	VCCO	90	VCCINT	142	VCCINT	194	B4
39	GND	91	VCCO	143	VCCO	195	VCCINT
40	A24	92	GND	144	GND	196	VCCO
41	A23	93	D28	145	C28	197	GND
42	A22	94	D25	146	C27	198	RTS
43	A21	95	D26	147	C26	199	CTS
44	A20	96	D23	148	C25	200	DSR
45	A19	97	D24	149	C24	201	TXD
46	A18	98	D21	150	C23	202	RXD
47	A17	99	D22	151	C22	203	PRS
48	A16	100	D19	152	C21	204	PAS
49	A15	101	D20	153	DIN	205	PDS
50	M1	102	D17	154	C20	206	PWE
51	GND	103	GND	155	CCLK	207	TCK
52	MO	104	DONE	156	VCCO	208	VCCO

* uses GCLK pin