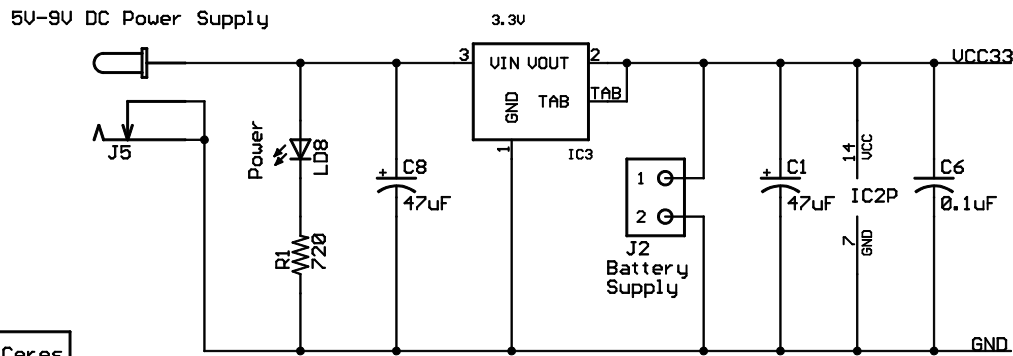


Note:

IC1 can be loaded with the C-Mod XCR, C-Mod C2 or the C-Mod 95 boards.
 DP is not connected with the C-Mod XCR board plugged in.



Digilent Ceres Board

Copyright 2004 Digilent Inc.

Engineer: NEA

TITLE: Ceres

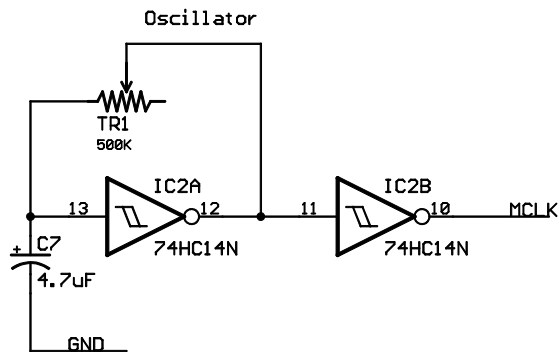
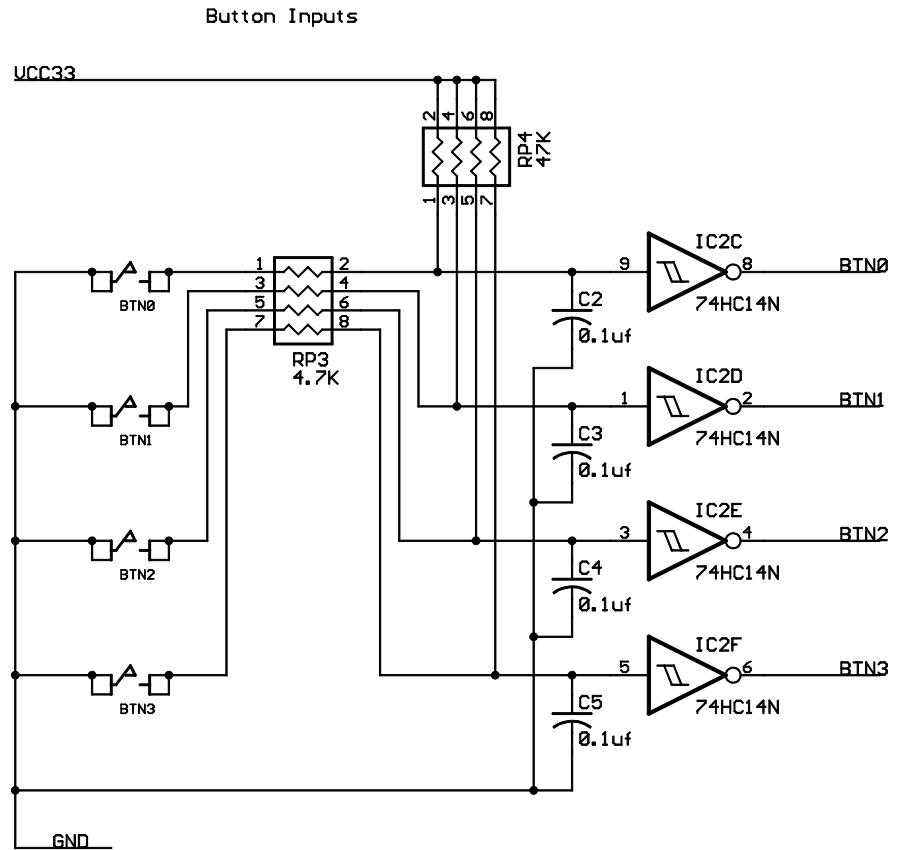
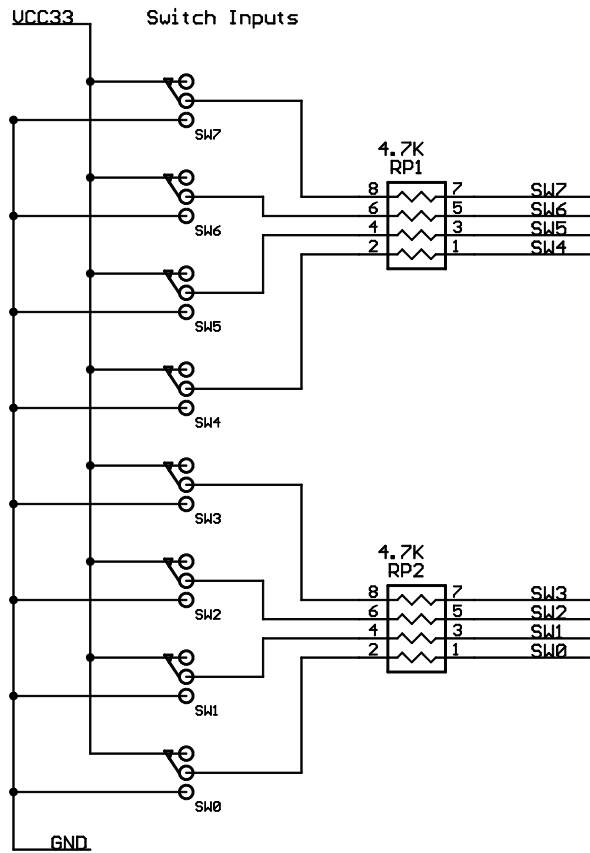
Author: GMA

Document Number: 500-048

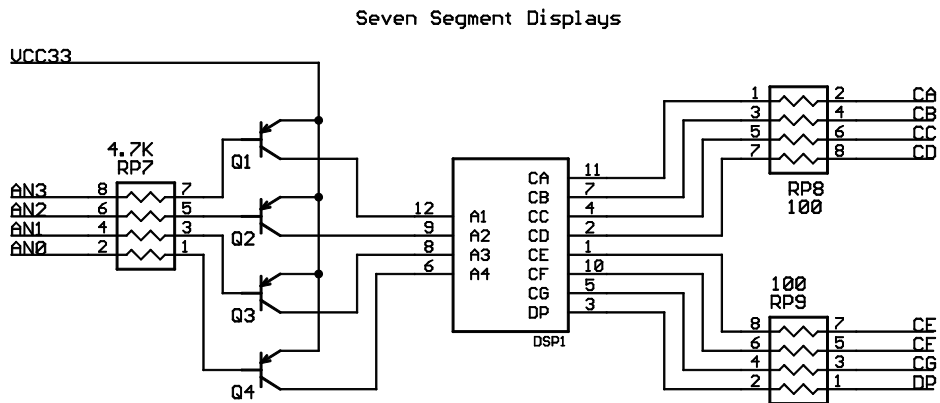
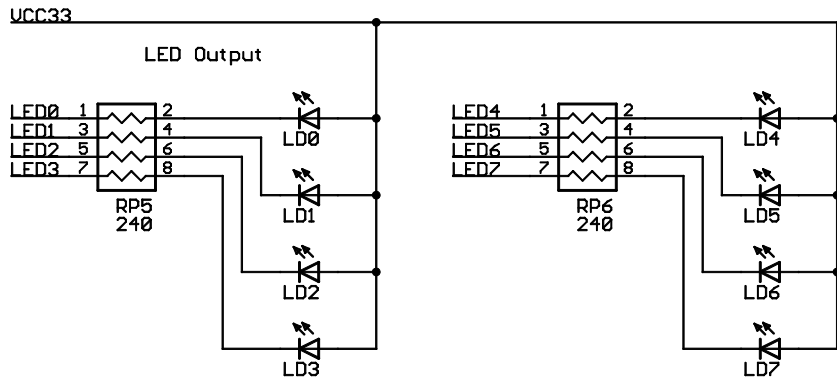
Rev: C

Release Date: 3/31/2004

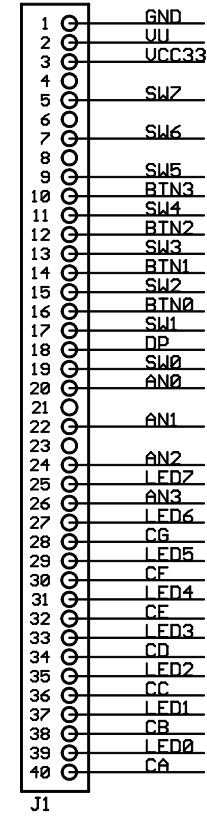
Sheet:1/3



Digilent Ceres Board	
Copyright 2004 Digilent Inc.	Engineer: NEA
TITLE: Ceres	Author: GMA
Document Number: 500-048	Rev: C
Release Date: 3/31/2004	Sheet: 2/3



Interface Connector



Digilent Ceres Board	
Copyright 2004 Digilent Inc.	Engineer: NEA
TITLE: Ceres	Author: GMA
Document Number: 500-048	Rev: C
Release Date: 3/31/2004	Sheet: 3/3