

Cerebot Nano

Digilent Inc. Copyright 2007

Engineer: NEA

SHEET: Connectors

Author: GMA

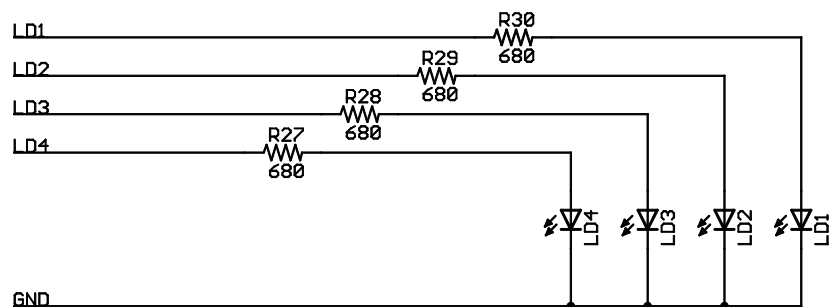
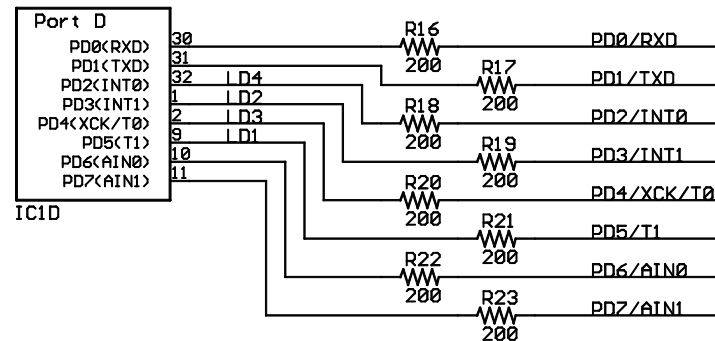
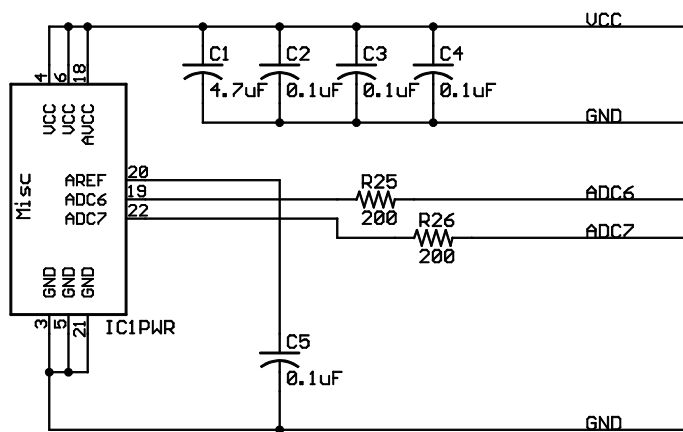
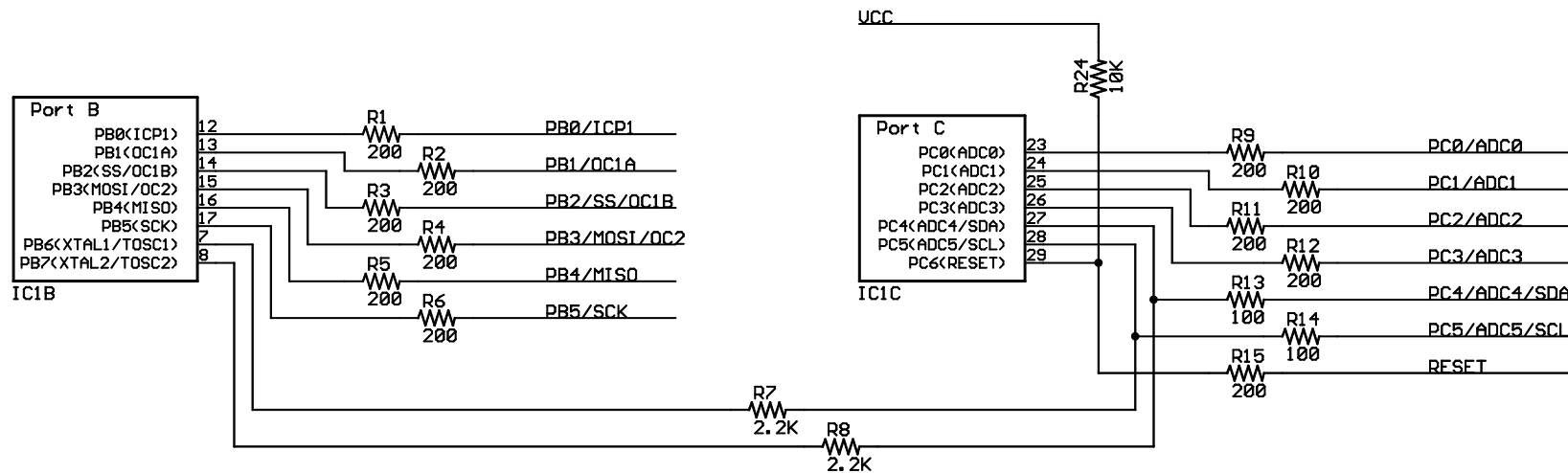
TITLE: Cerebot Nano

Rev: A.0

Doc#: 500-145

Date: 11/26/2007

Sheet: 1/2



Cerebot Nano

Digilent Inc. Copyright 2007

Engineer: NEA

SHEET: Connectors

Author: GMA

TITLE: Cerebot Nano

Rev: A.0

Doc#: 500-145

Date: 11/26/2007

Sheet: 2/2