

WEEE

ROHS CHINA

Digilent Inc.

CEREBOT MX7cK

chipKIT

Cerebot MX7cK

Copyright 2011, Digilent Inc.

Engineer: NEA

SHEET: Pmod Connectors

Author: GA

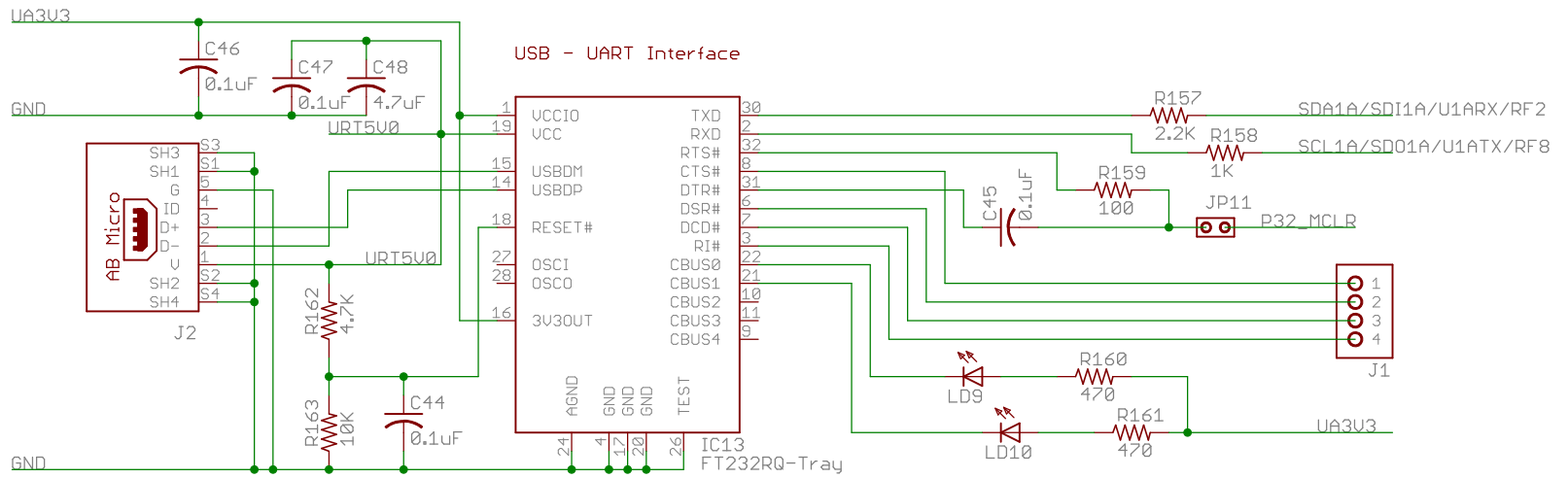
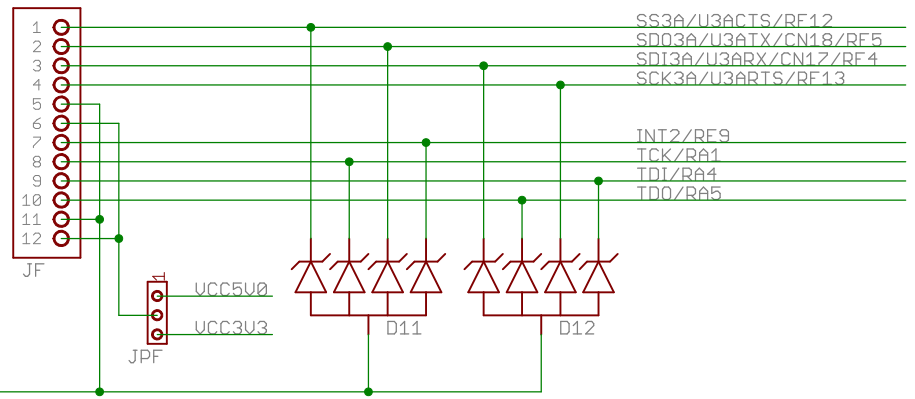
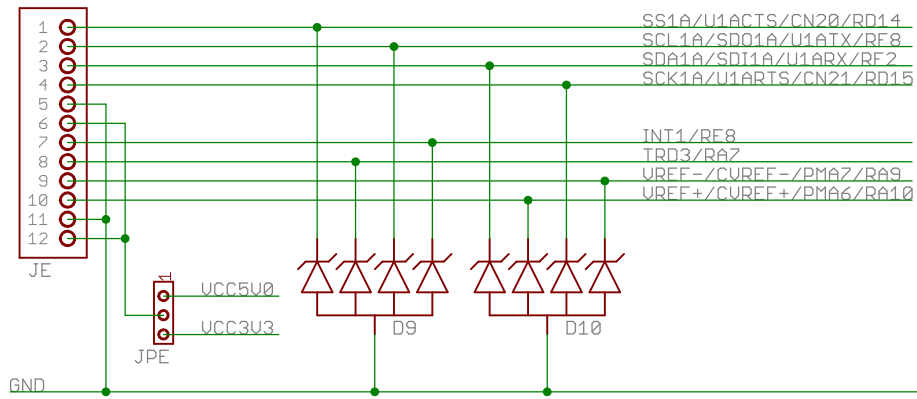
TITLE: Cerebot MX7CK

Rev: B.1

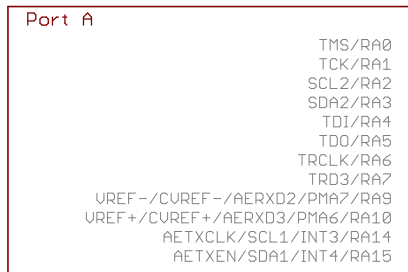
Doc#: 500-223

Date: 9/27/2011

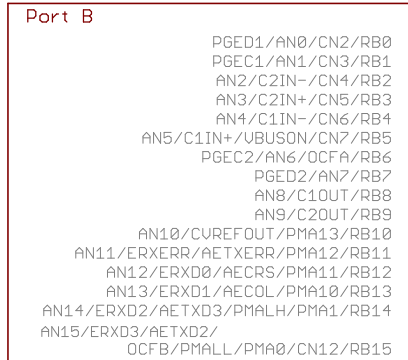
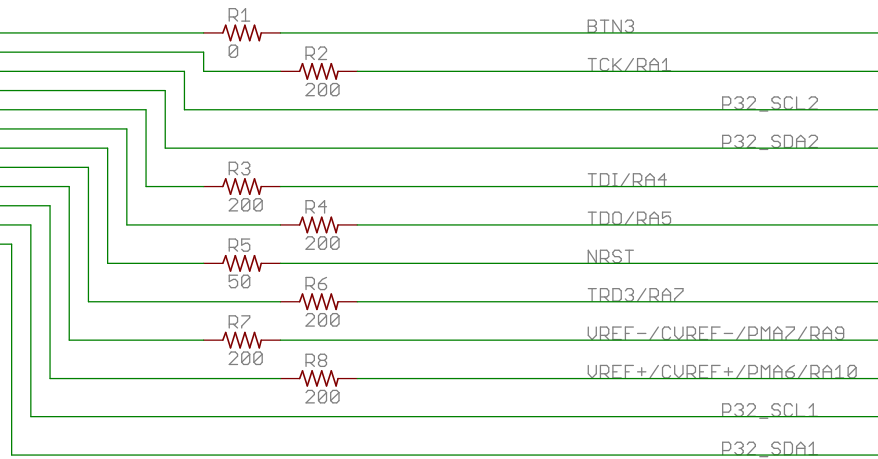
Sheet: 1/9



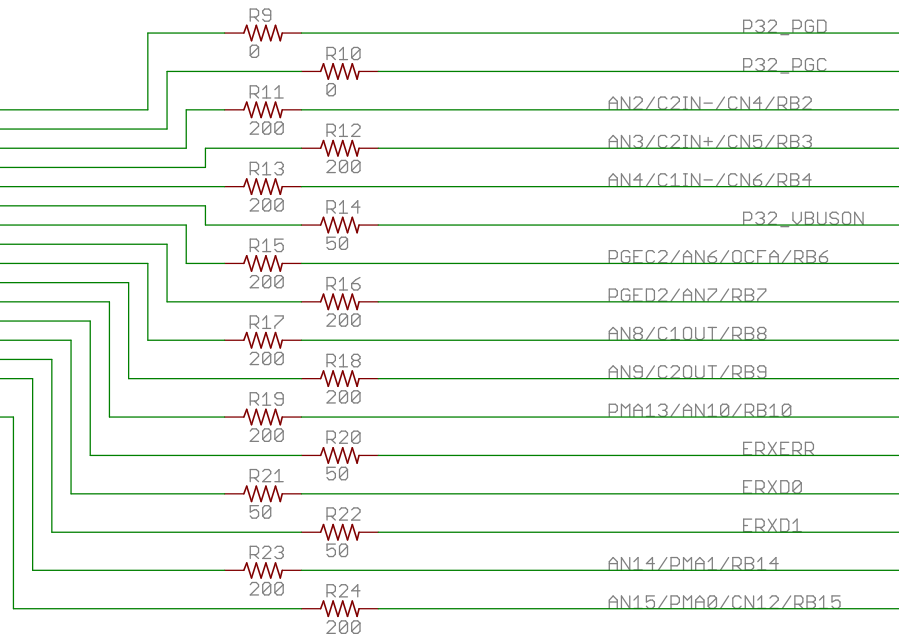
Cerebot MX7cK		Engineer: NEA
Copyright 2011, Digilent Inc.		Author: GA
SHEET: Pmod Connectors and USB/UART		Rev: B.1
TITLE: Cerebot MX7CK		Date: 9/27/2011
Doc#: 500-223	Date: 9/27/2011	Sheet: 2/9



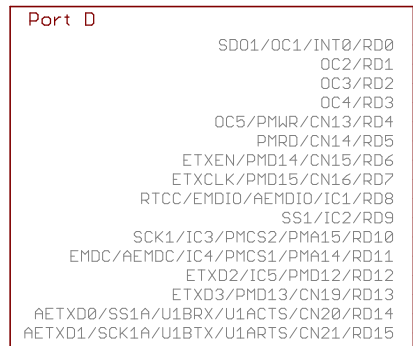
IC1PA



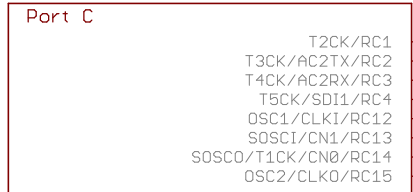
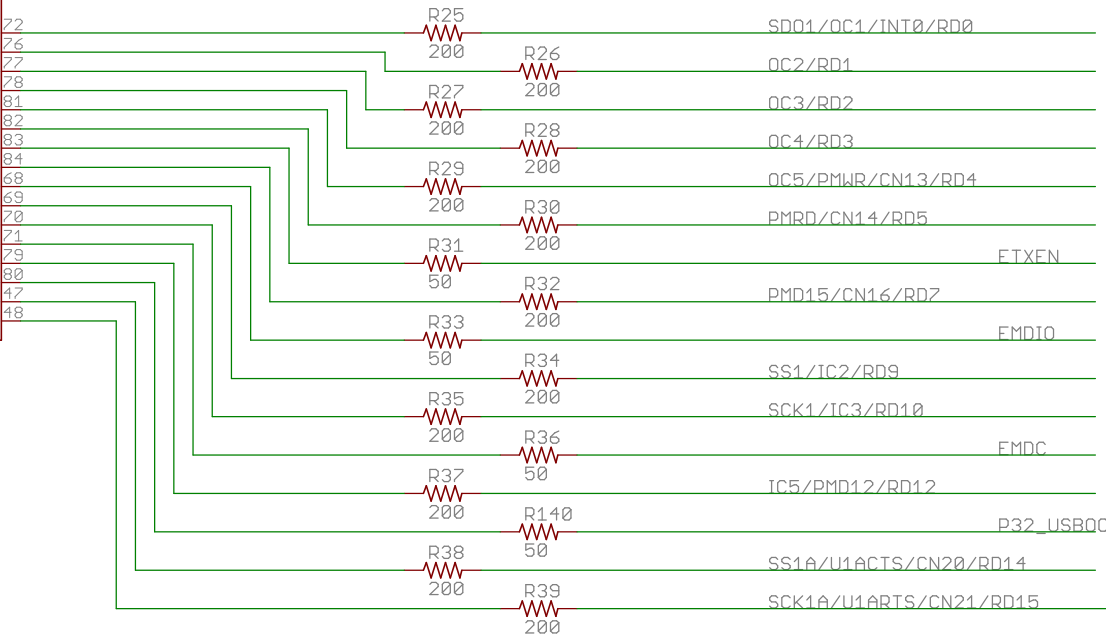
IC1PB



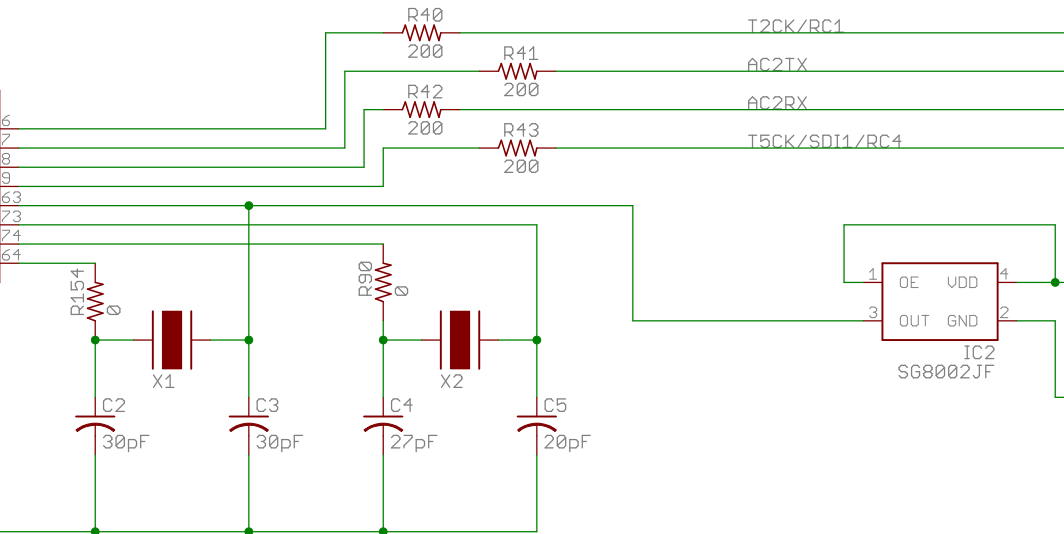
Cerebot MX7cK		Engineer: NEA
Copyright 2011, Digilent Inc.		Author: GA
SHEET: PIC32 Microcontroller		Rev: B.1
TITLE: Cerebot MX7CK		Doc#: 500-223
Date: 9/27/2011	Sheet: 3/9	



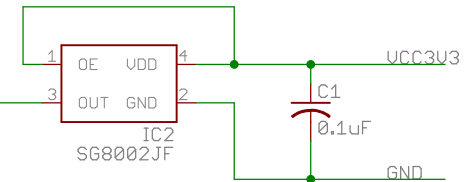
IC1PD



IC1PC



GND



Cerebot MX7cK

Copyright 2011, Digilent Inc.

Engineer: NEA

SHEET: PIC32 Microcontroller

Author: GA

TITLE: Cerebot MX7CK

Rev: B.1

Doc#: 500-223

Date: 9/27/2011

Sheet: 4/9

Port E

PMD0/RE0
PMD1/RE1
PMD2/RE2
PMD3/RE3
PMD4/RE4
PMD5/RE5
PMD6/RE6
PMD7/RE7
AERXD0/INT1/RE8
AERXD1/INT2/RE9

IC1PE

Port F

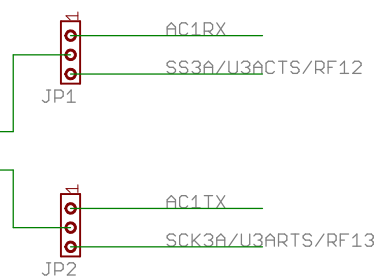
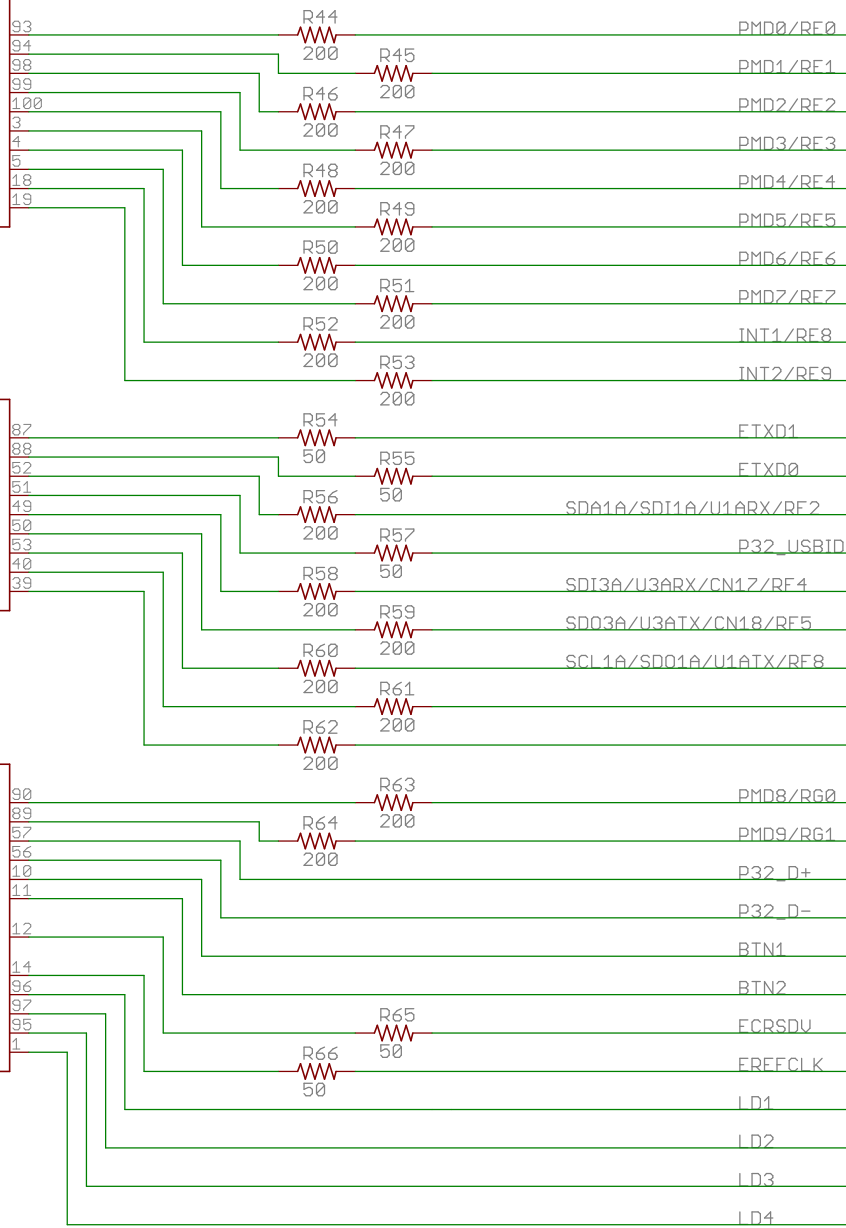
C1RX/ETXD1/PMD11/RF0
C1TX/ETXD0/PMD10/RF1
SDA1A/SDI1A/U1ARX/RF2
USBID/RF3
SDA3A/SDI3A/U3ARX/PMA9/CN17/RF4
SCL3A/SD03A/U3ATX/PMA8/CN18/RF5
SCL1A/SD01A/U1ATX/RF8
AC1RX/SS3A/U3BRX/U3ACTS/RF12
AC1TX/SCK3A/U3BTX/U3ARTS/RF13

IC1PF

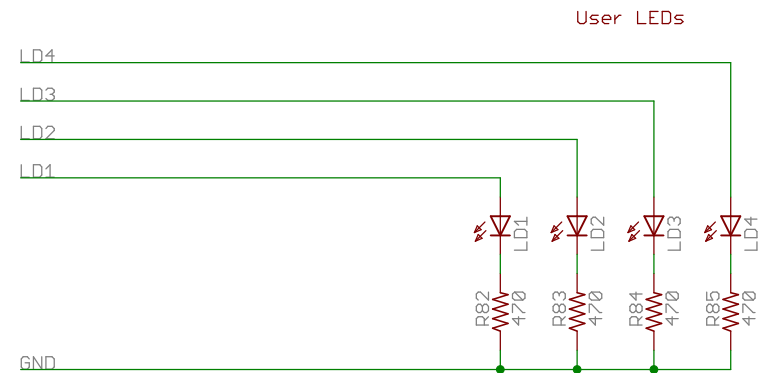
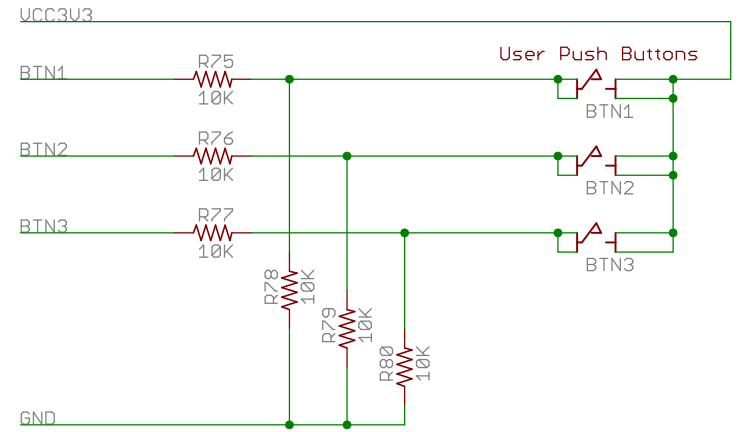
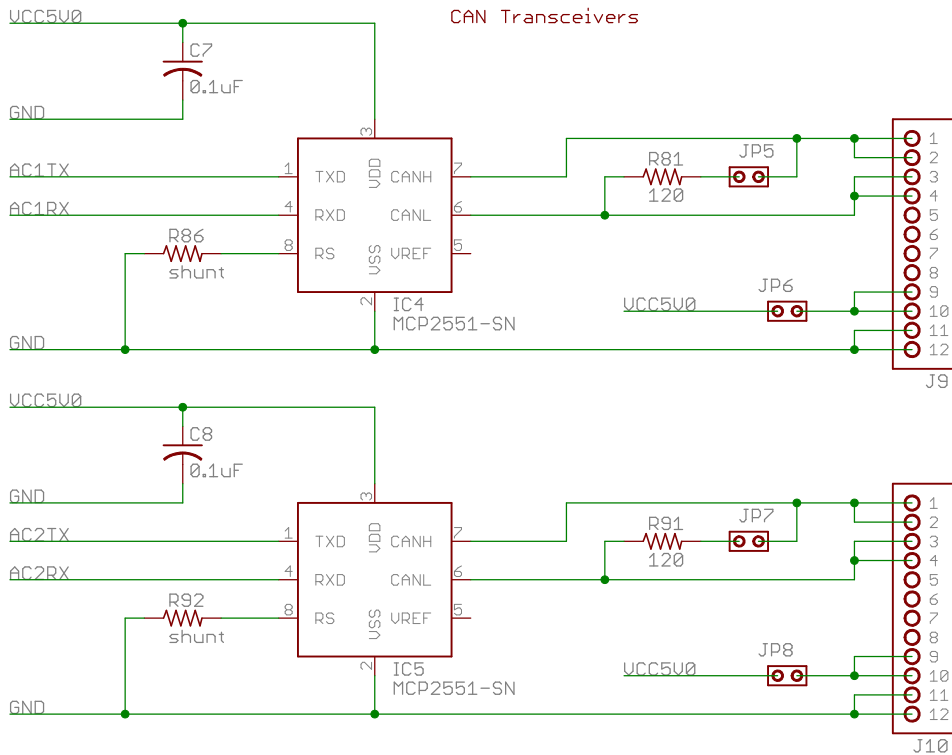
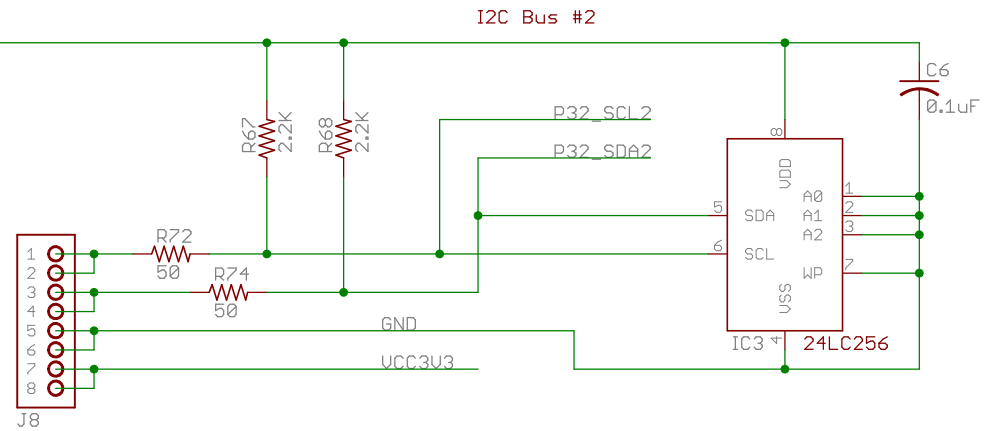
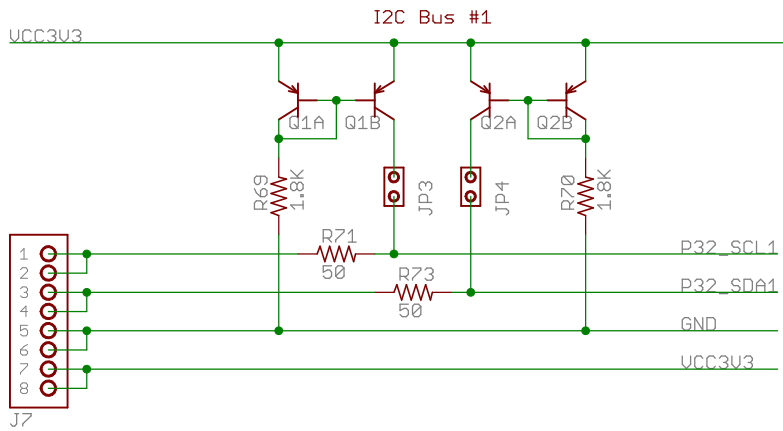
Port G

C2RX/PMD8/RG0
C2TX/ETXERR/PMD9/RG1
D+/RG2
D-/RG3
ECOL/SCK2A/U2BTX/U2ARTS/PMA5/CN8/RG6
ECRS/SDA2A/SDI2A/U2ARX/PMA4/CN9/RG7
ERXDV/AERXDV/ECRS/SDU/AECRS/SDU/
SCL2A/SD02A/U2ATX/PMA3/CN10/RG8
ERXCLK/AERXCLK/EREFCLK/AEREFCLK/
SS2A/U2BRX/U2ACTS/PMA2/CN11/RG9
TRD1/RG12
TRD0/RG13
TRD2/RG14
AERXERR/RG15

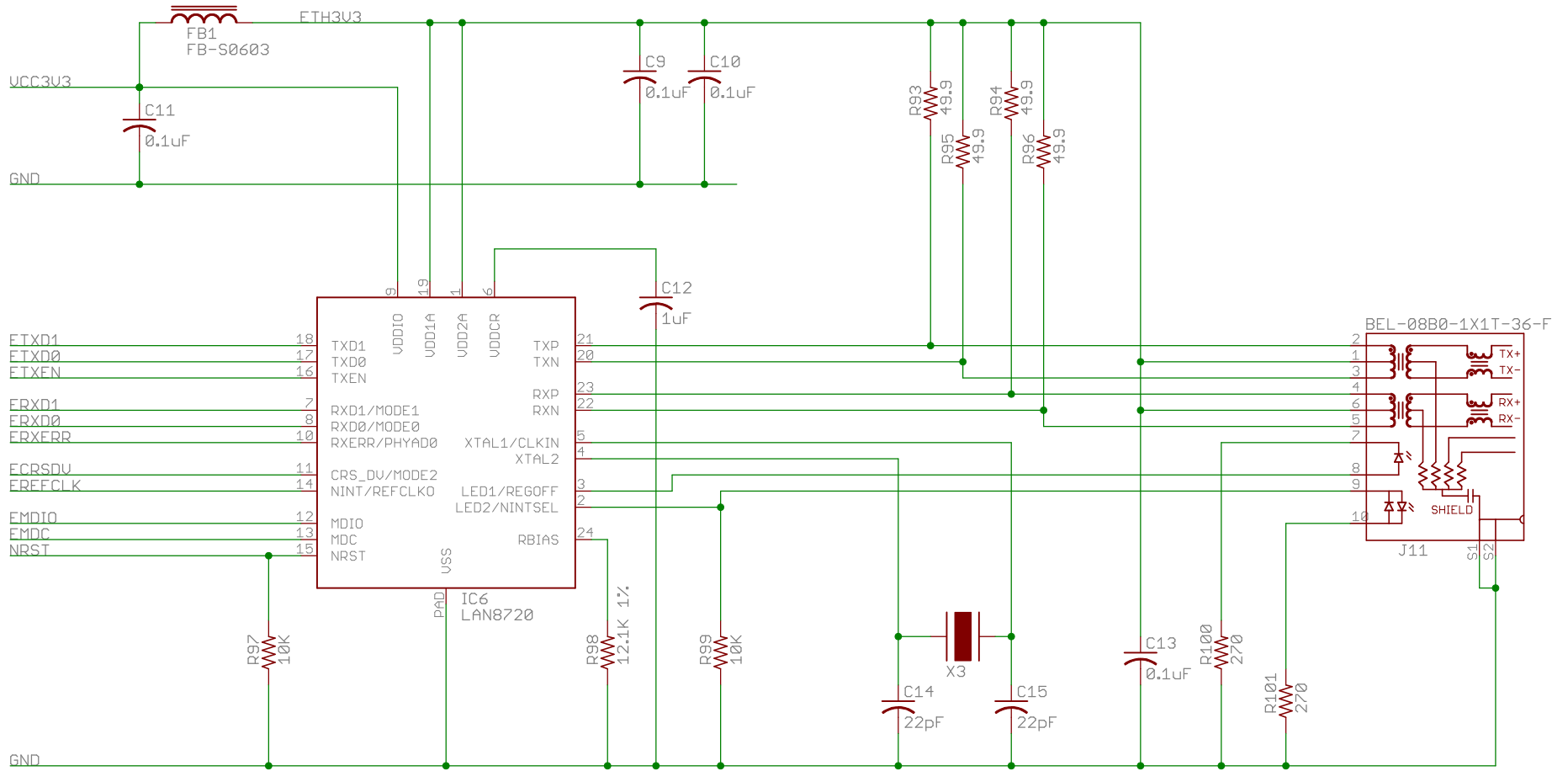
IC1PG



Cerebot MX7cK		Engineer: NEA
Copyright 2011, Digilent Inc.		Author: GA
SHEET: PIC32 Microcontroller		Rev: B.1
TITLE: Cerebot MX7CK		Rev: B.1
Doc#: 500-223	Date: 9/27/2011	Sheet: 5/9

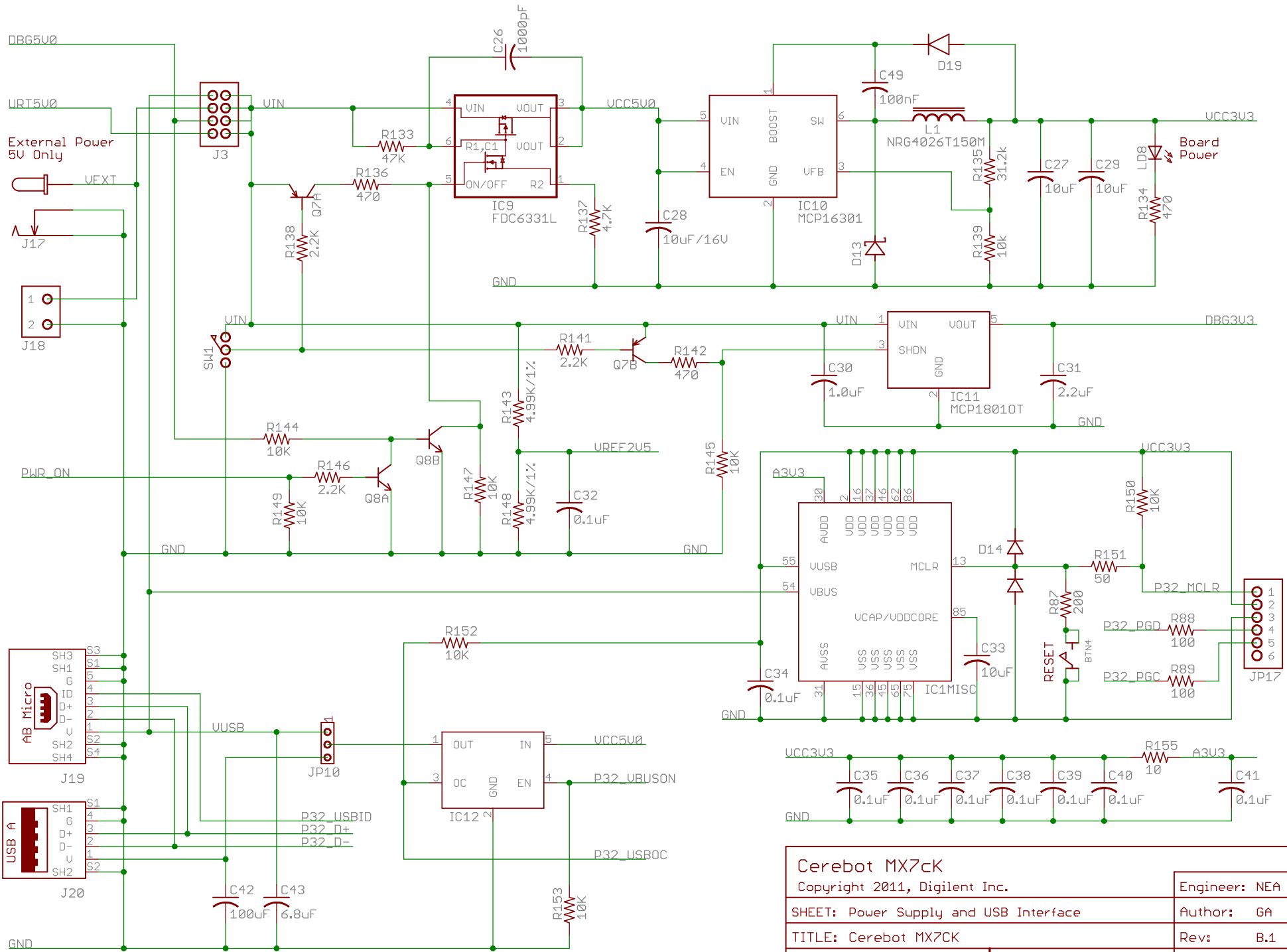


Cerebot MX7cK		Engineer: NEA
Copyright 2011, Digilent Inc.		Author: GA
SHEET: Misc. I/O		Rev: B.1
TITLE: Cerebot MX7CK		Doc#: 500-223
Date: 9/27/2011		Sheet: 6/9



Cerebot MX7cK		Engineer: NEA
Copyright 2011, Digilent Inc.		Author: GA
SHEET: Ethernet PHY and Connector		Rev: B.1
TITLE: Cerebot MX7CK		Doc#: 500-223
Date: 9/27/2011	Sheet: 7/9	

This page intentionally left blank.



Cerebot MX7cK		Engineer: NEA
Copyright 2011, Digilent Inc.		Author: GA
SHEET: Power Supply and USB Interface		Rev: B.1
TITLE: Cerebot MX7CK		Date: 9/27/2011
Doc#: 500-223	Date: 9/27/2011	Sheet: 9/9