

## Cerebot MX3cK

Copyright 2011, Digilent Inc.

Engineer: MTA

SHEET: Pmod Headers

Author: PJA

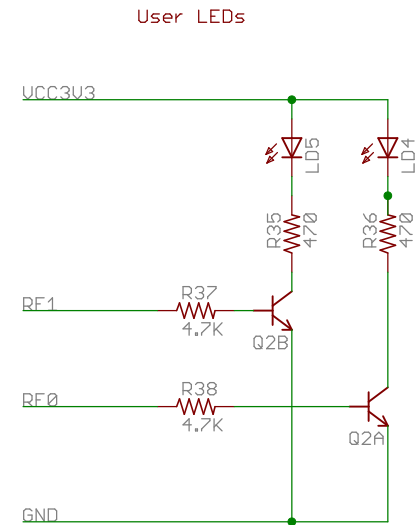
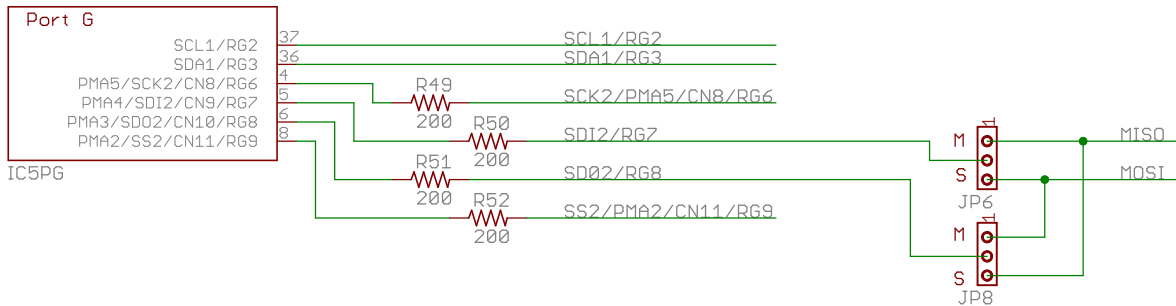
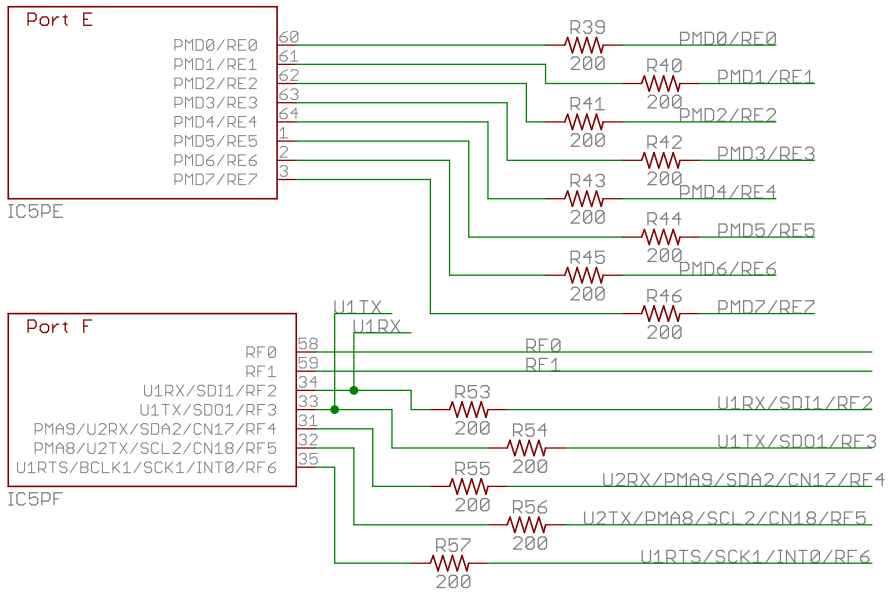
TITLE: Cerebot MX3cK

Rev: A.1

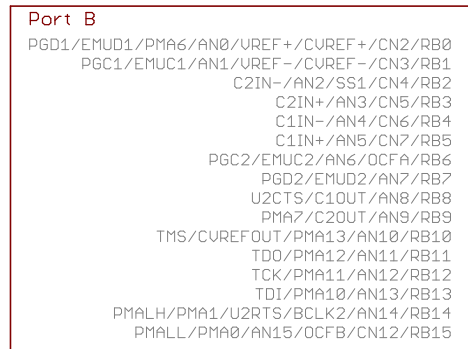
Doc#: 500-227

Date: 8/30/11

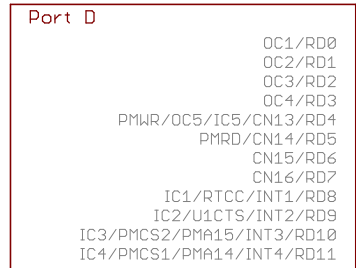
Sheet: 1/4



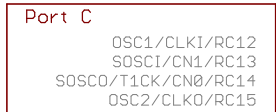
<b>Cerebot MX3cK</b>		Engineer: MTA
Copyright 2011, Digilent Inc.		Author: PJA
SHEET: PIC32 I/O, LEDs		Rev: A.1
TITLE: Cerebot MX3cK		Doc#: 500-227
Date: 8/30/11	Sheet: 2/4	



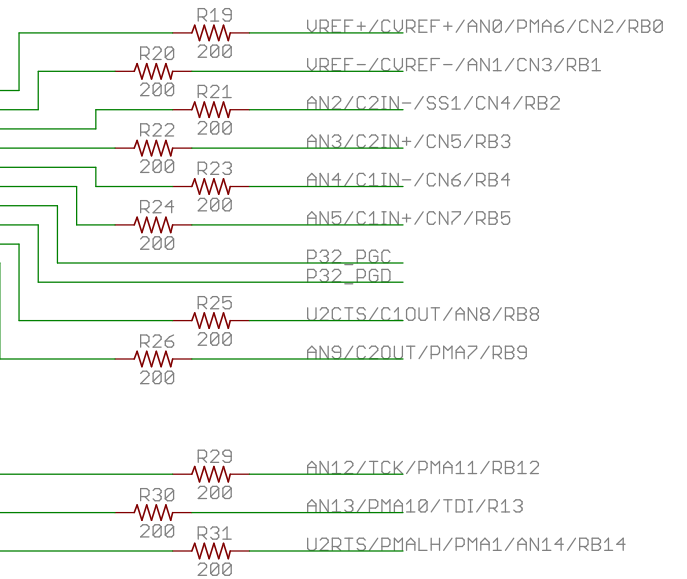
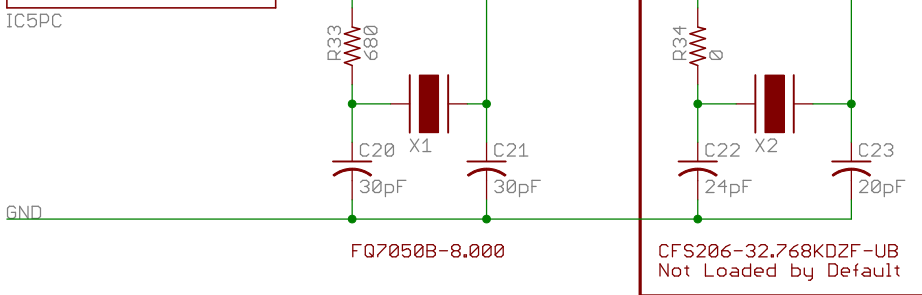
IC5PB



IC5PD



IC5PC



## Cerebot MX3cK

Copyright 2011, Digilent Inc.

Engineer: MTA

SHEET: PIC32 I/0

Author: PJA

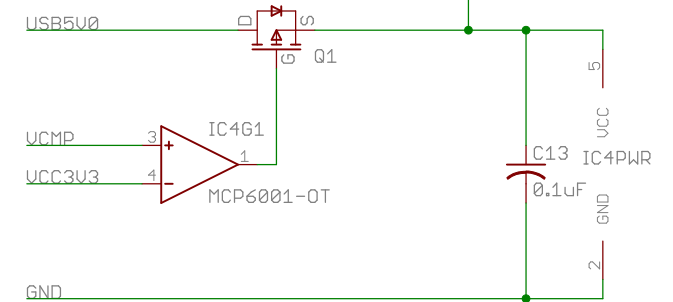
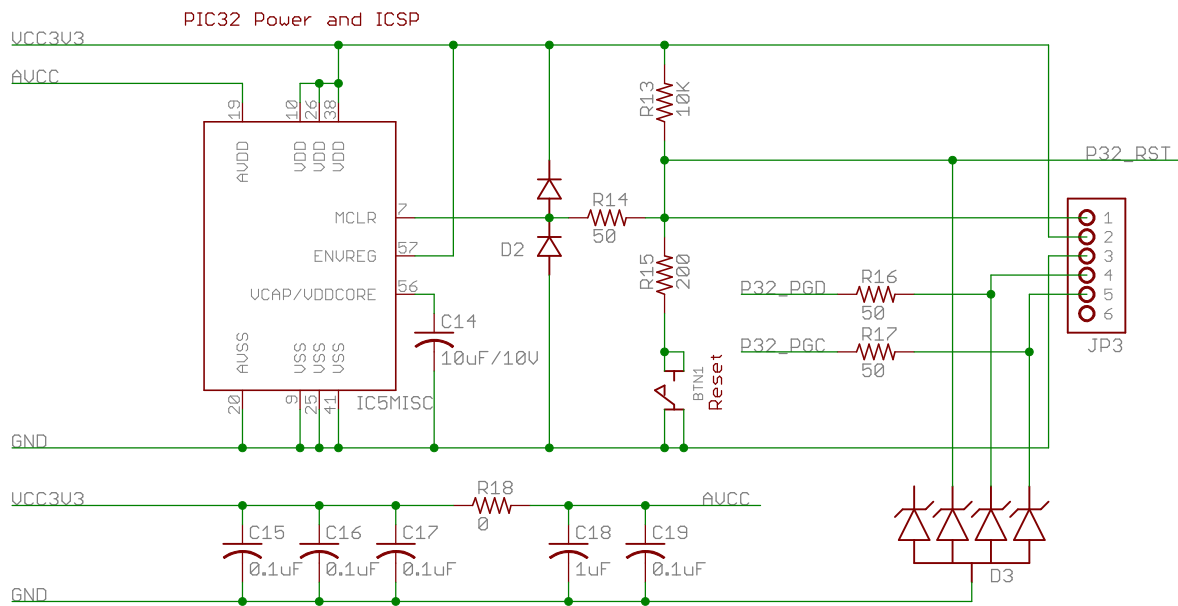
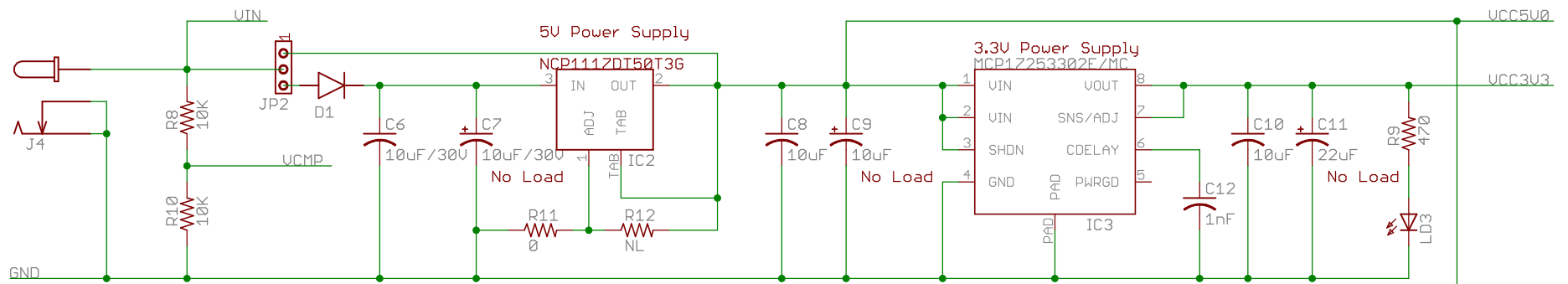
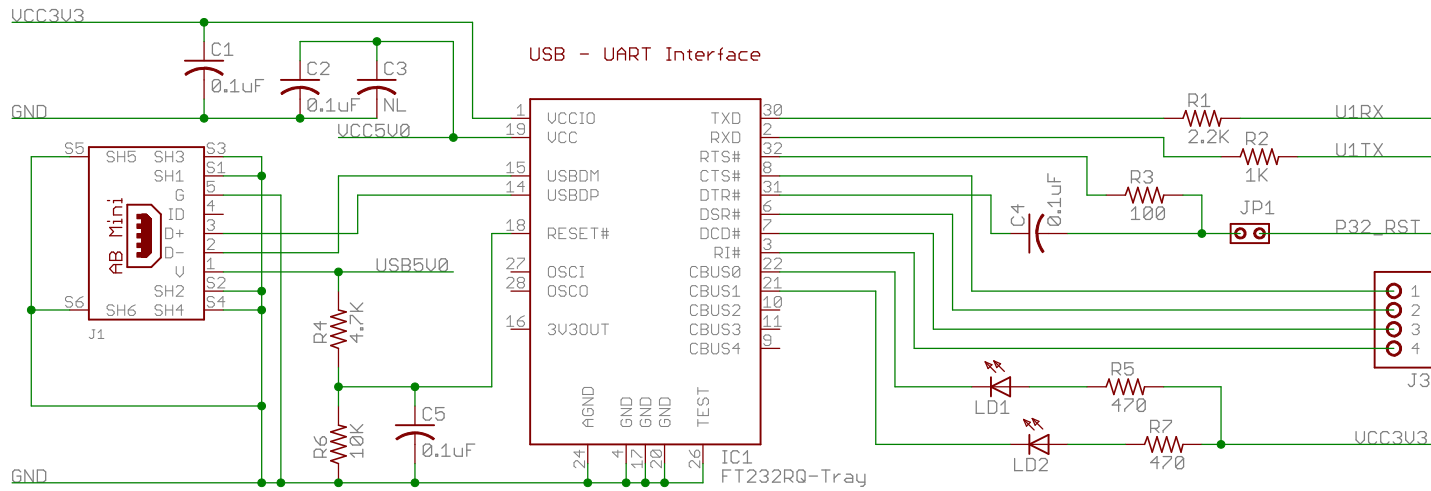
TITLE: Cerebot MX3cK

Rev: A.1

Doc#: 500-227

Date: 8/30/11

Sheet: 3/4



## Cerebot MX3ck

Copyright 2011, Digilent Inc.

Engineer: MTA

SHEET: USB-UART, Power Supply

Author: PJA

TITLE: Cerebot MX3ck

Rev: A.1

Doc#: 500-227

Date: 8/30/11

Sheet: 4/4