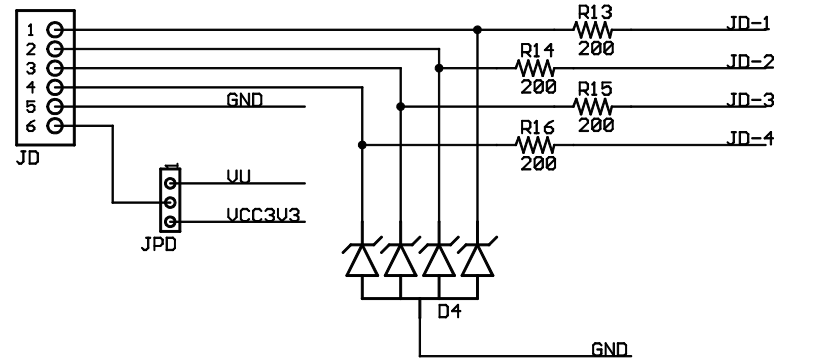
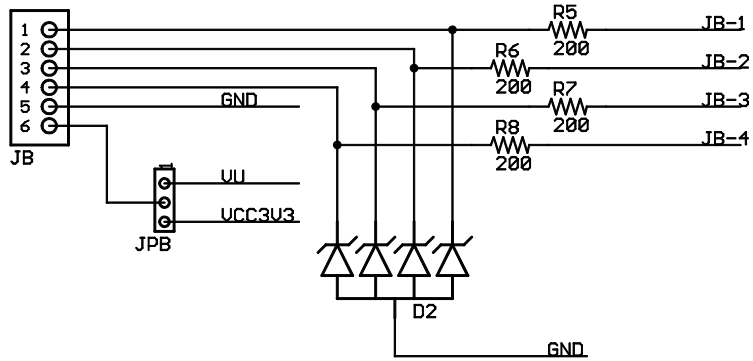
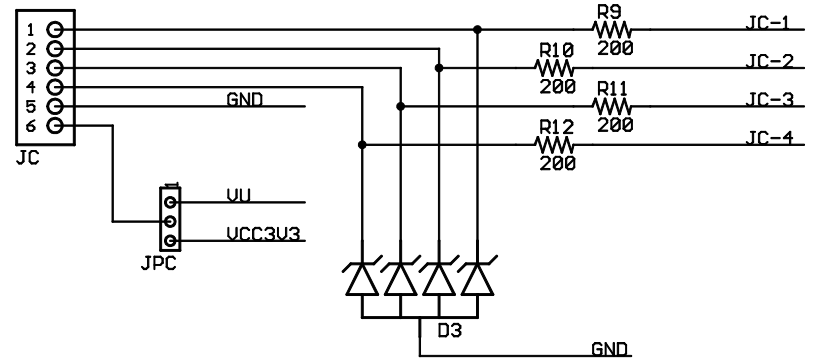
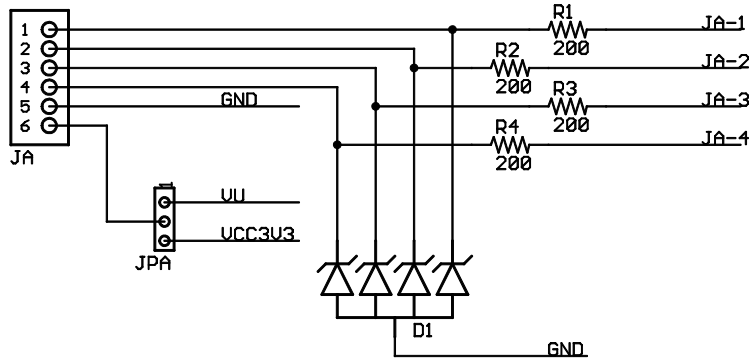
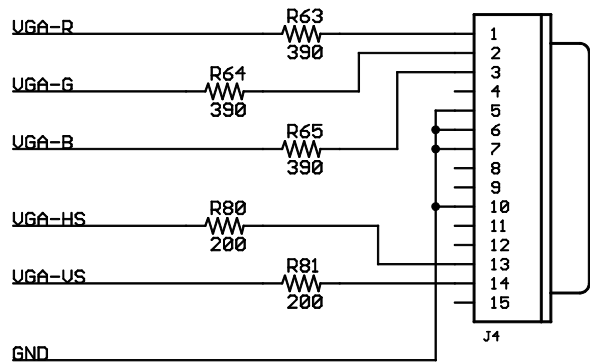


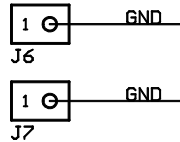
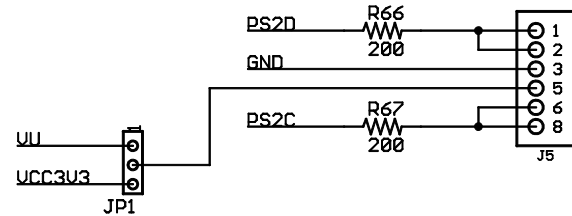
PMOD Interface Connectors



UGA Interface



PS/2 Keyboard Interface



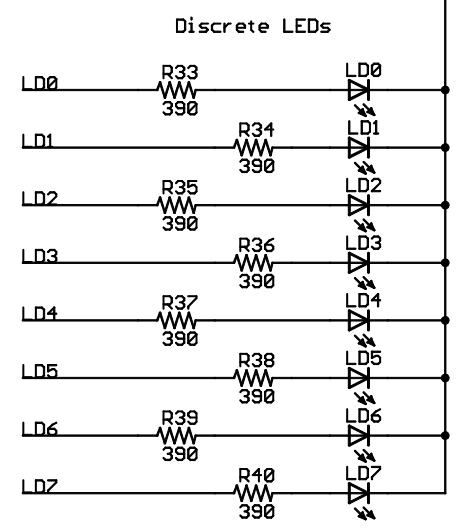
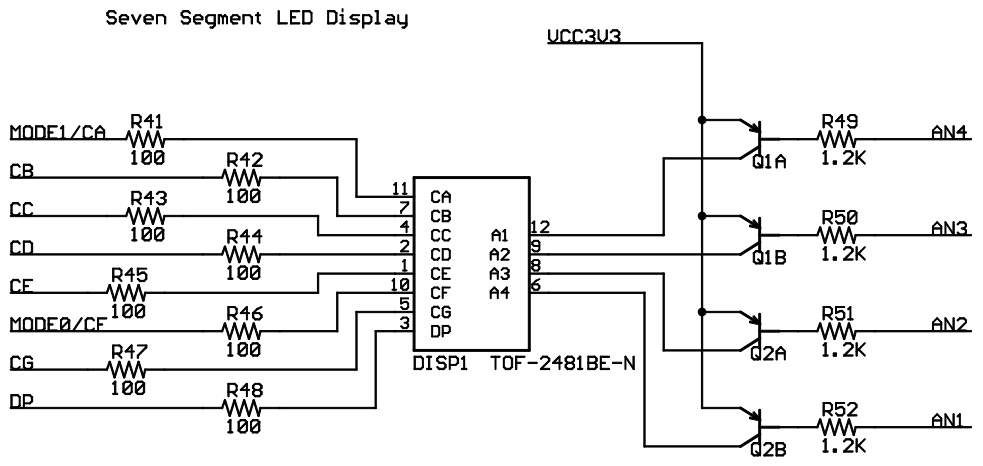
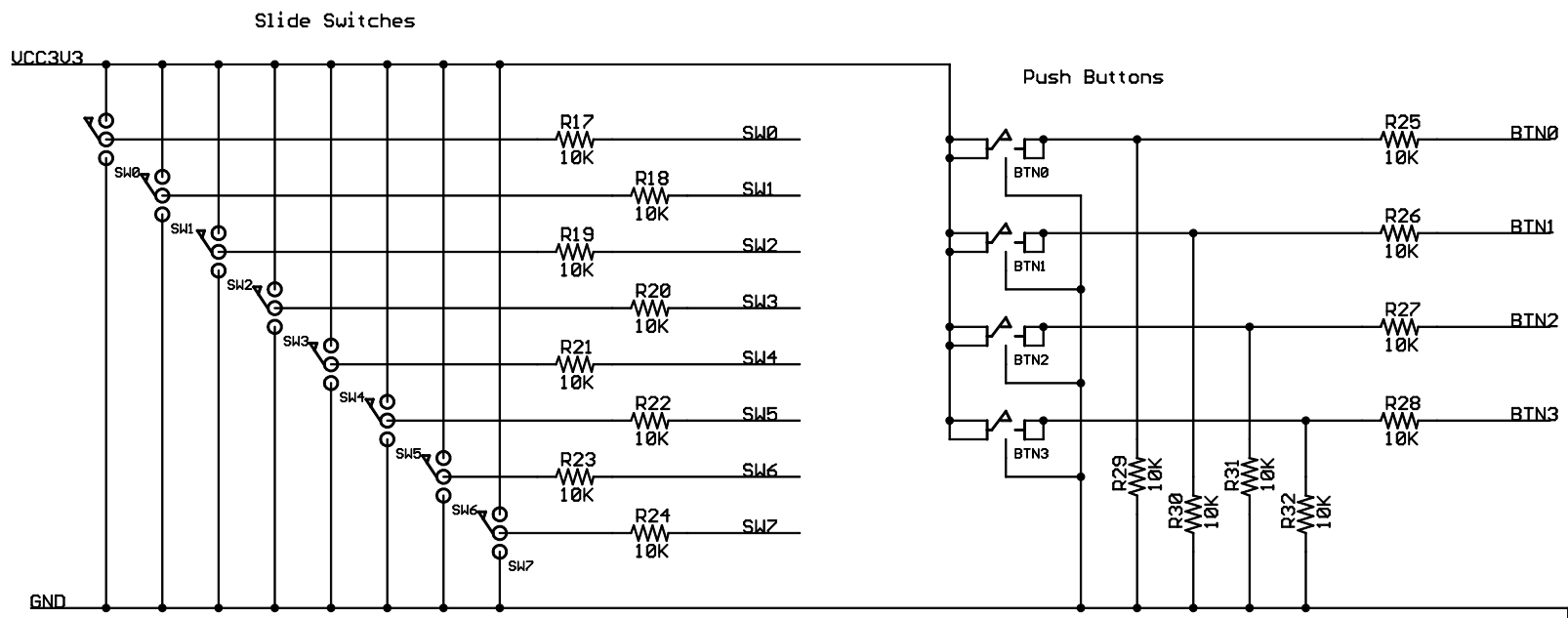
Designed and Manufactured by
Digilent Inc.

Basys, Basic Systems Board
Copyright 2006, Digilent Inc.

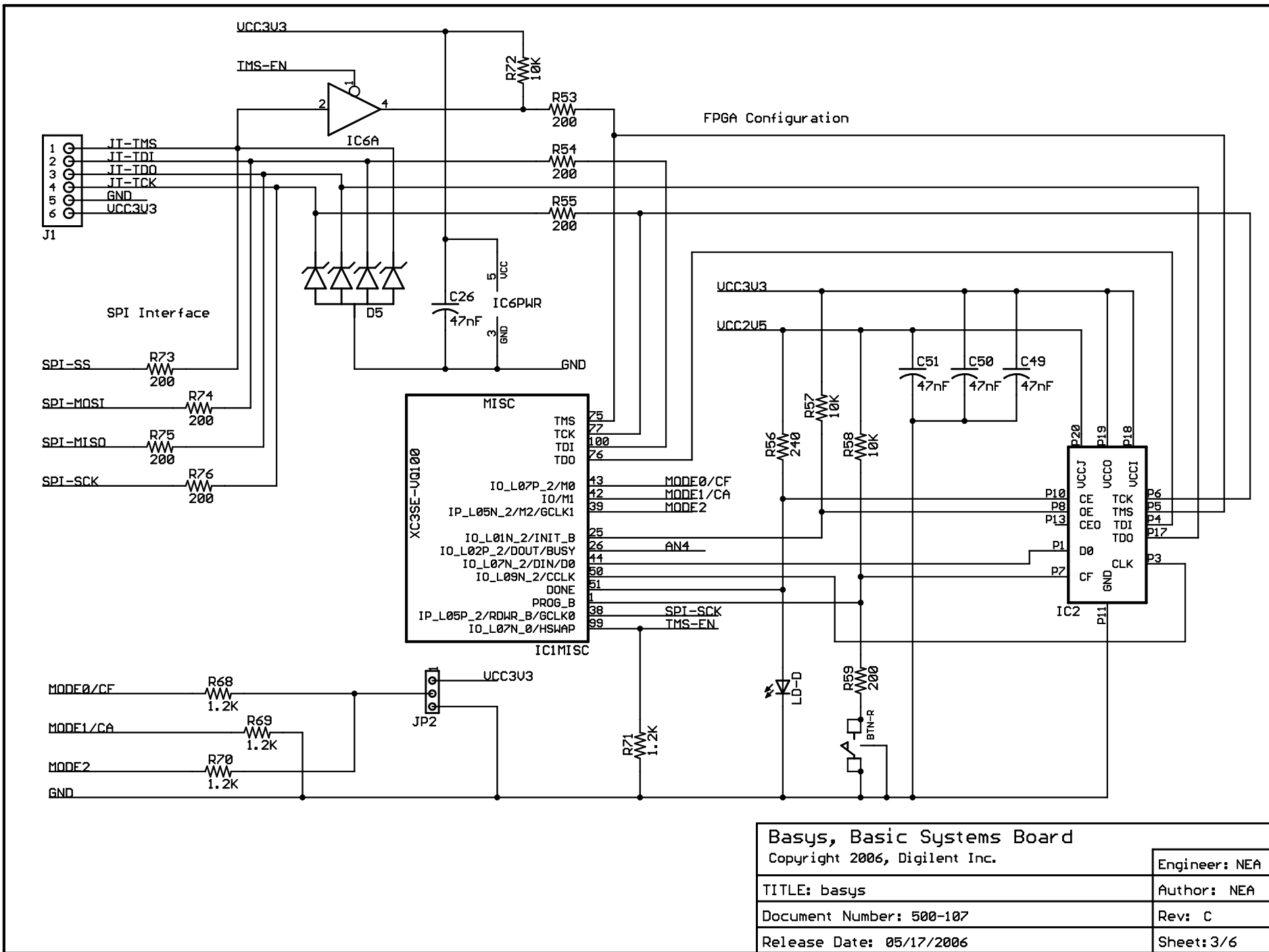
TITLE: basys
Document Number: 500-107
Release Date: 05/17/2006

Engineer: NEA
Author: NEA
Rev: C
Sheet: 1/6

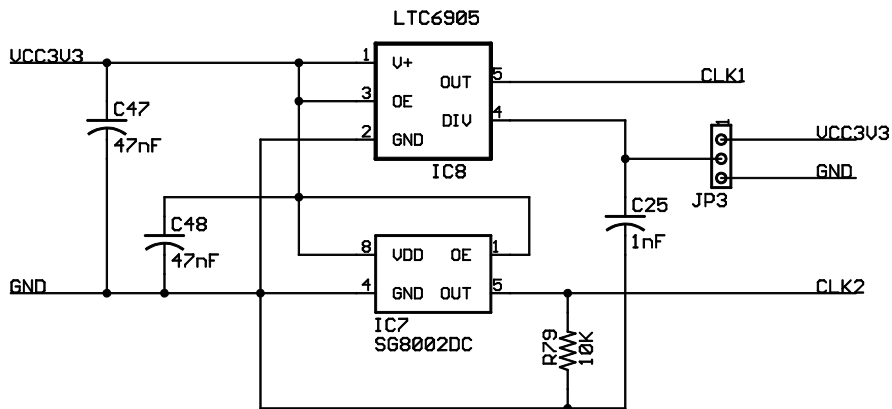
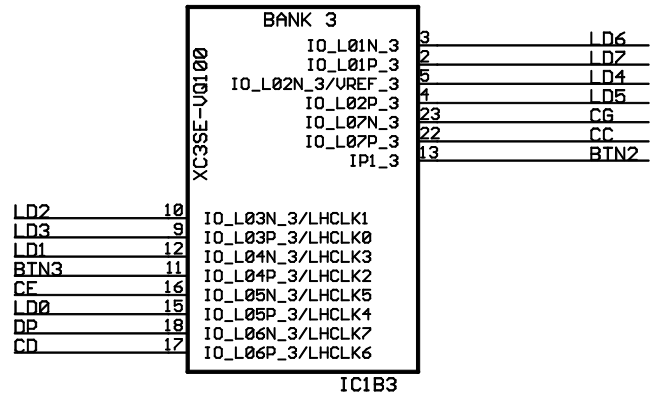
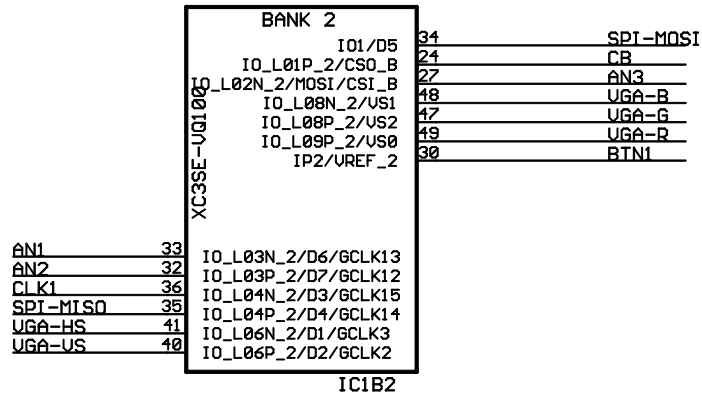
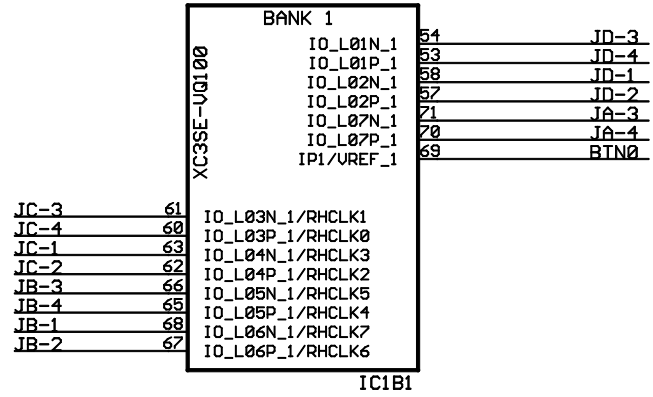
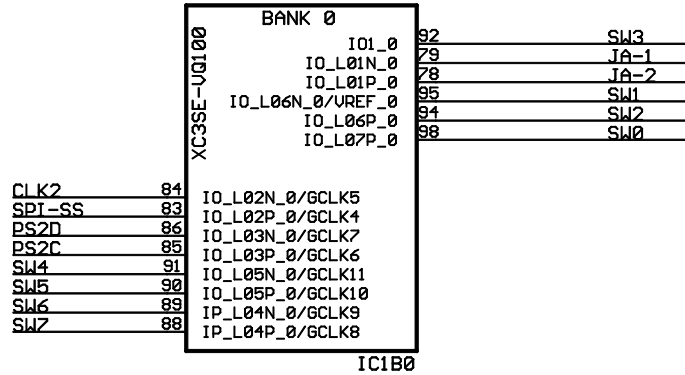
WEEE



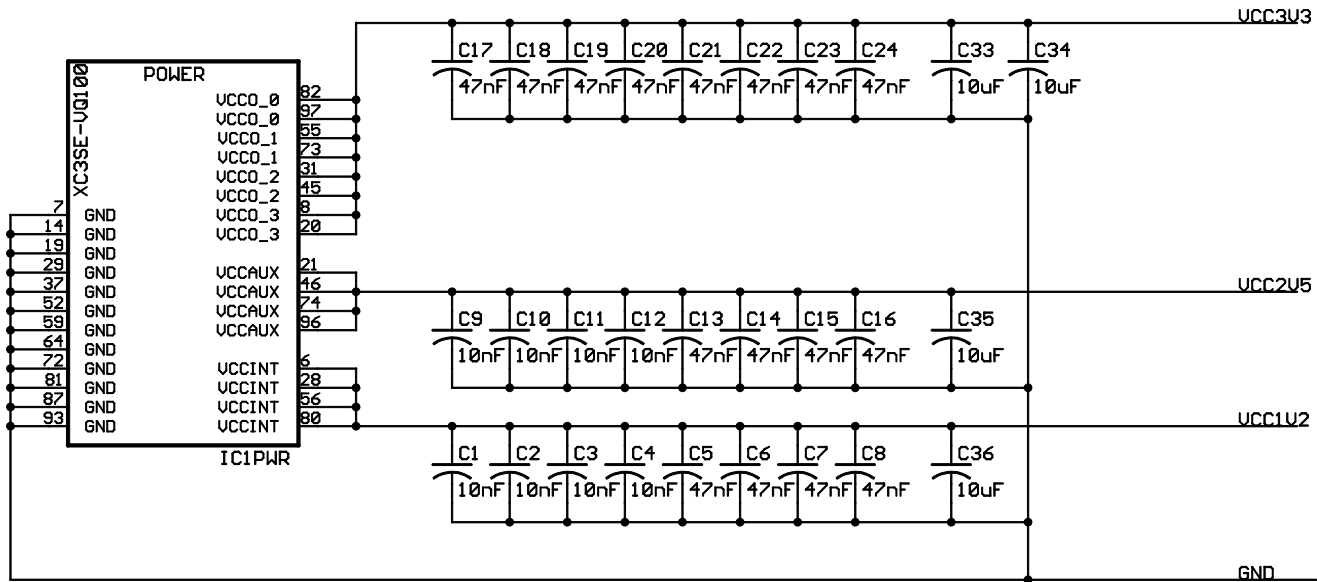
Basys, Basic Systems Board	
Copyright 2006, Digilent Inc.	
TITLE: basys	Engineer: NEA
Document Number: 500-107	Author: NEA
Release Date: 05/17/2006	Rev: C
	Sheet: 2/6



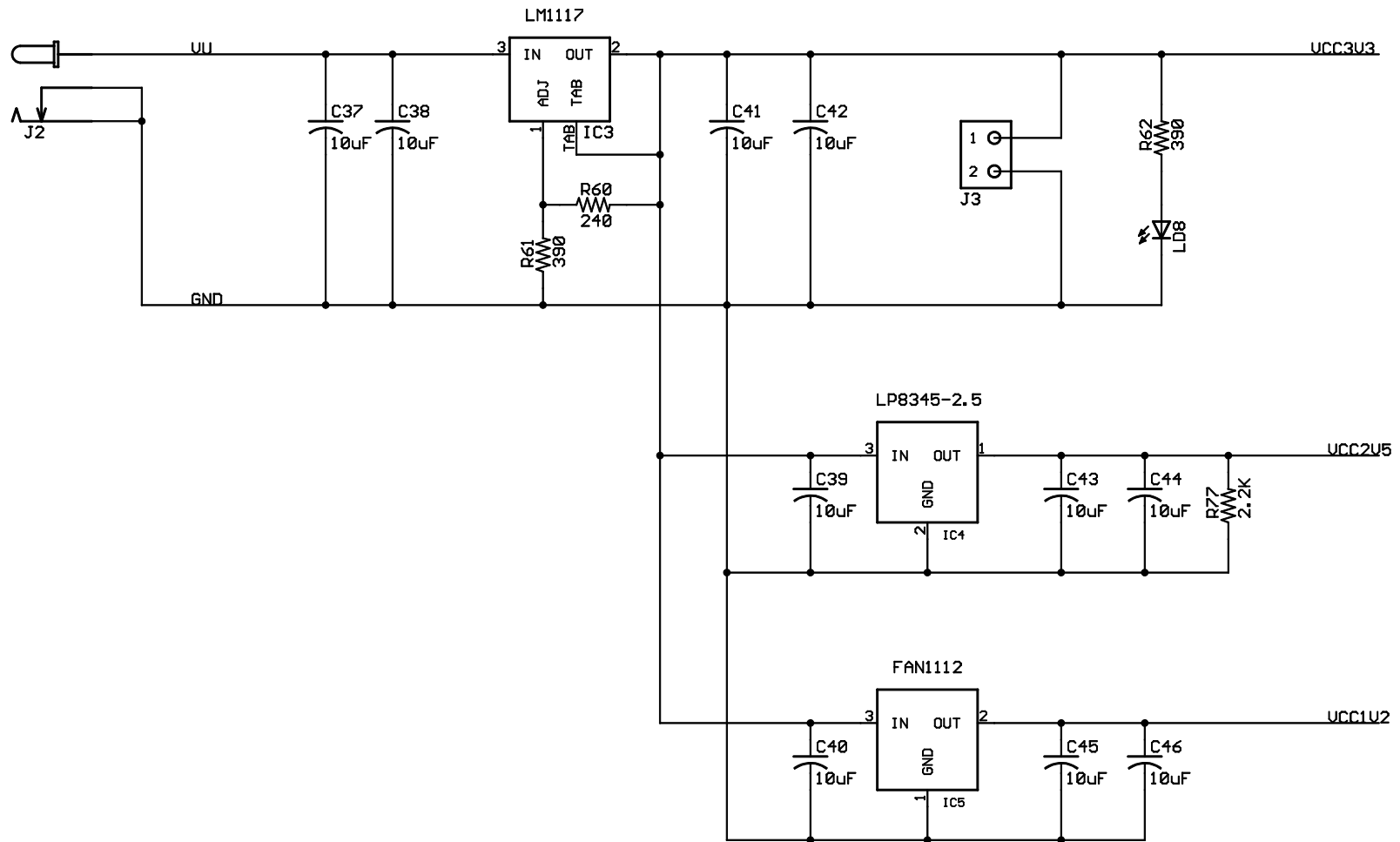
Basys, Basic Systems Board		Engineer: NEA
Copyright 2006, Digilent Inc.		Author: NEA
TITLE: basys		Rev: C
Document Number: 500-107		Sheet: 3/6
Release Date: 05/17/2006		



Basys, Basic Systems Board	
Copyright 2006, Digilent Inc.	
Engineer: NEA	
TITLE: basys	Author: NEA
Document Number: 500-107	Rev: C
Release Date: 05/17/2006	Sheet: 4/6



Basys, Basic Systems Board	
Copyright 2006, Digilent Inc.	
TITLE: basys	Engineer: NEA
Document Number: 500-107	Author: NEA
Release Date: 05/17/2006	Rev: C
	Sheet: 5/6



Basys, Basic Systems Board	
Copyright 2006, Digilent Inc.	
TITLE: basys	Engineer: NEA
Document Number: 500-107	Author: NEA
Release Date: 05/17/2006	Rev: C
	Sheet: 6/6